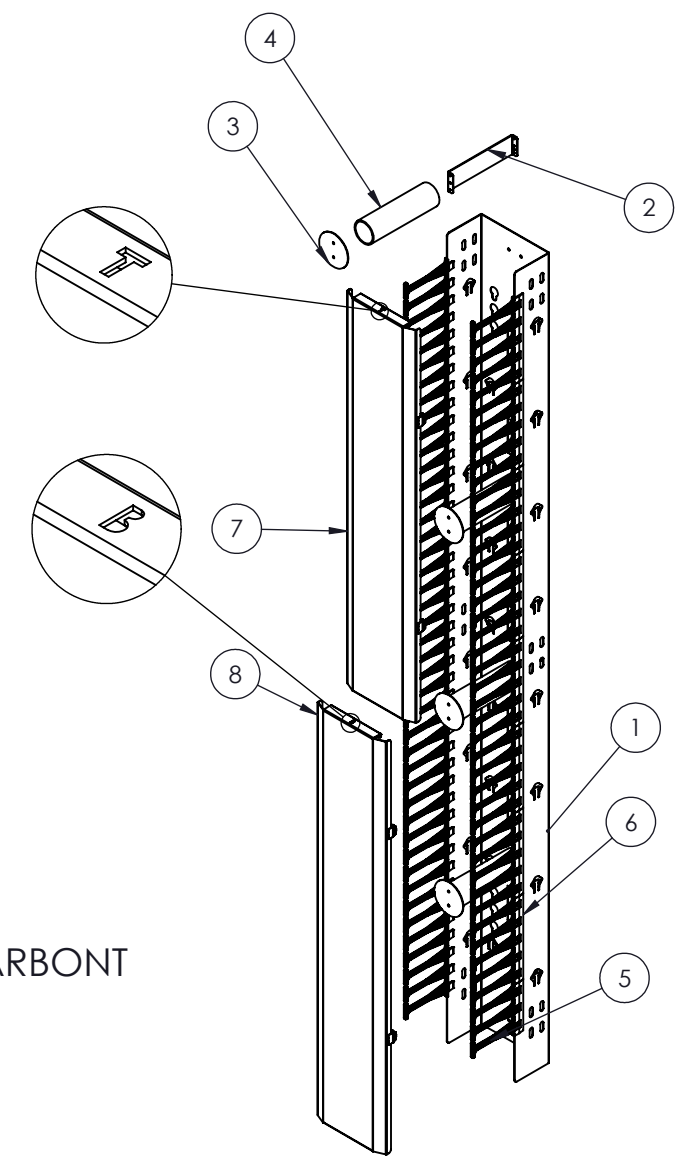
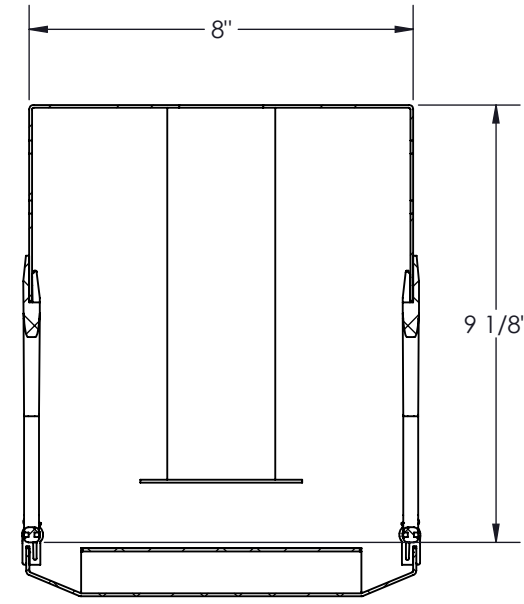
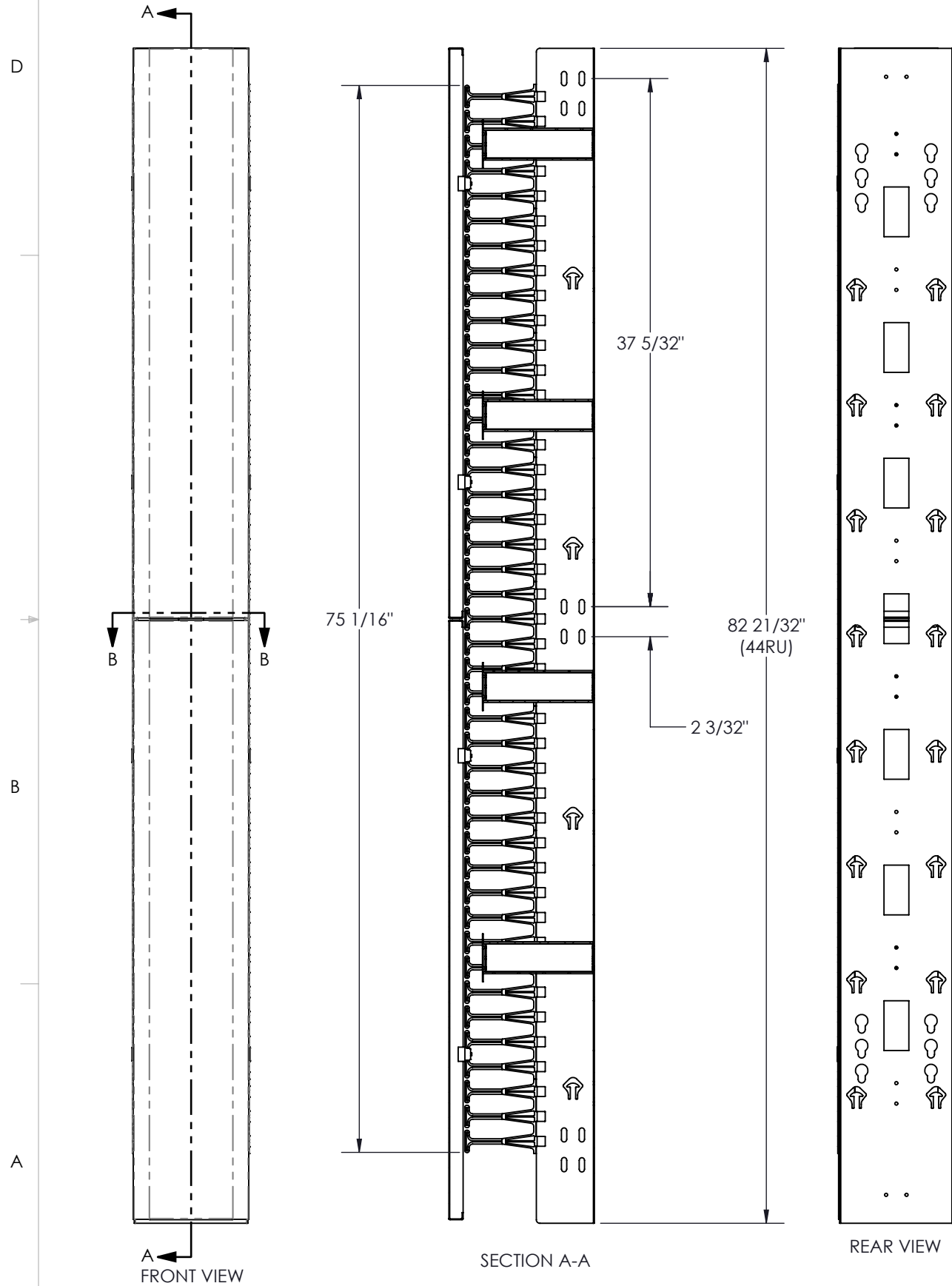


COLOUR	PT# SUFFIX
BLACK	-BK
WHITE	-WH
GREY	-GY

NO.	DWG/SUPPLIER	CFG/SUPPLIER NO.	DESCRIPTION	QTY
1	2580-002	8 x 9	BODY 44RU (77)	1
2	1305020805	7.75"	SPOOL BRACKET	4
3	1305020804	3.375"	SPOOL END PLATE	4
4	1305020806	7.75"	SPOOL	4
5	1305038739	3RU	PLASTIC CABLE MGT FINGERS	2
6	1305038739	5RU	PLASTIC CABLE MGT FINGERS	16
7	3282-015	Default	UPPER DOOR 8 x (77)	1
8	3282-014	Default	BOTTOM DOOR 8 x (77)	1



NOTES:

- 1 - APPROX. WEIGHT: 35.0 LB
- 2 - FINISH: TEXTURED POWDER COAT
- 3 - FINGERS MADE OF FIRE RETARDANT POLYCARBONT
- 4 - SHIPS WITH 12 SETS OF BOLTS 1/4-20 x 3/4"
- 5 - MATERIAL :
 - BODY: STEEL 16GA CRS (0.60")
 - DOOR: ALUMINUM 14 GA (.064")

Electron METAL PROUDLY MANUFACTURED IN CANADA

CONFIDENTIAL
THE INFORMATION CONTAINED IN THIS DRAWING IS THE SOLE PROPERTY OF ELECTRON METAL A.I.G. INC. ANY REPRODUCTION IN PART OR AS A WHOLE WITHOUT THE WRITTEN PERMISSION OF A.I.G. ELECTRON METAL INC IS PROHIBITED.

DRAWN BY: E.D.	TITLE: HIGH DENSITY CABLE MGT 8 x (77) x 9 WITH DOORS			
CHECKED BY: E.D.	FILE: GestHD8x77x9_3237-006_Eng	PART NO.:	DWG NO.:	REV.:
APPROVED BY: T.M.	CMRHSD-084409	3237-006	A	1:10
			DATE: 2021-09-14	SHEET: 1 / 1