

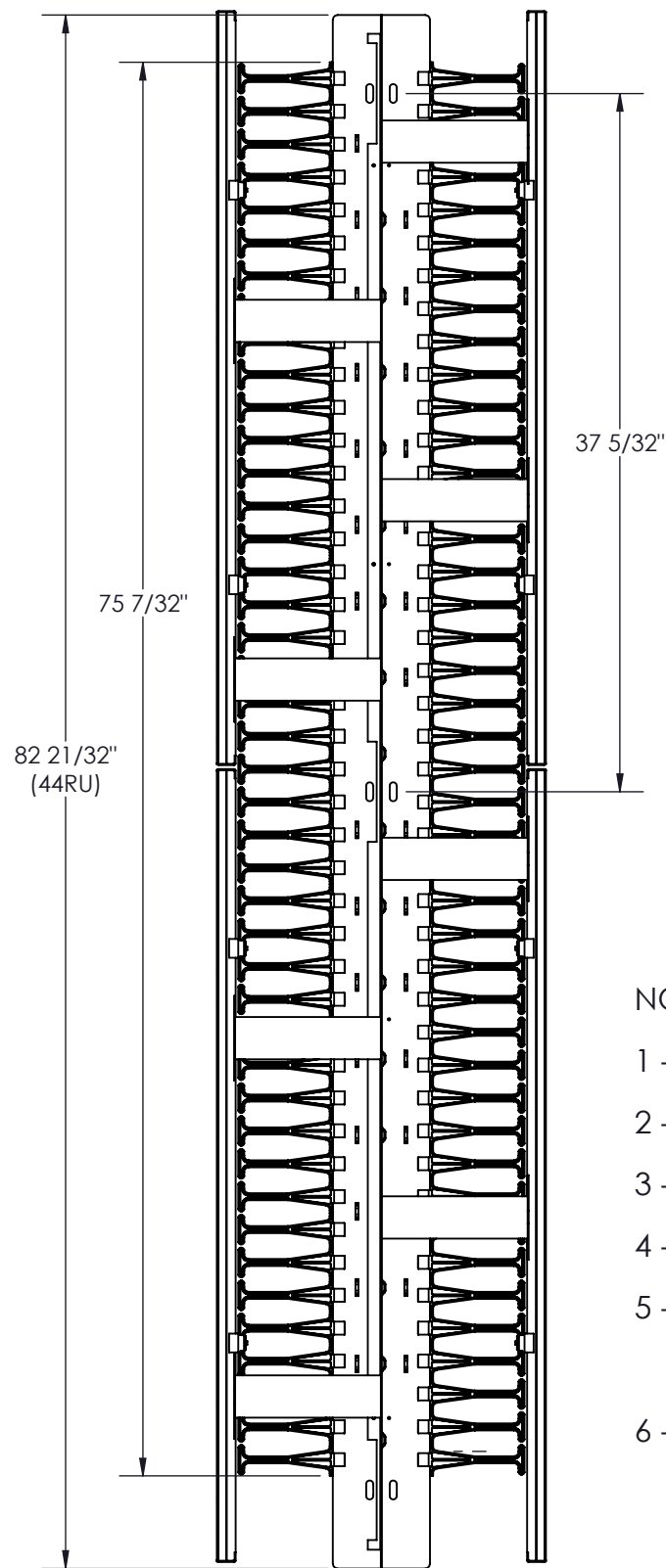
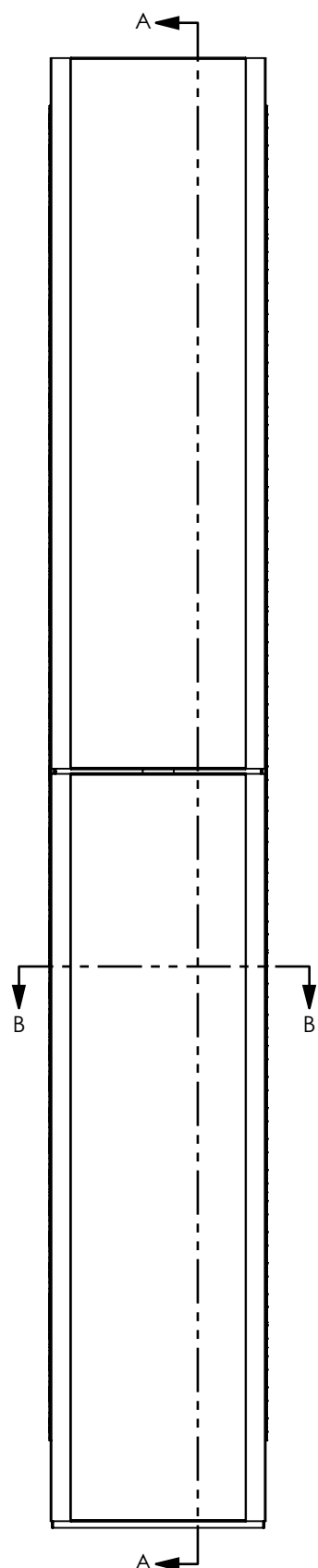
COLOR	PT# SUFFIX
BLACK	-BK
WHITE	-WH
GREY	-GY

NO.	DWG/SUPPLIER	CFG/SUPPLIER NO.	DESCRIPTION	QTY
1	3404-009	Default	FRAME DOUBLE 12 x (77) x 15	1
2	1305038739	5RU	PLASTIC CABLE MGT FINGERS	32
3	1305038739	3RU	PLASTIC CABLE MGT FINGERS	4
4	1305020805	7.75"	SPOOL BRACKET	8
5	1305020806	7.75"	SPOOL	8
6	1305020804	4.5"	SPOOL END PLATE	8
7	3282-019	Default	LOWER DOOR 12 x (77)	2
8	3282-018	Default	UPPER DOOR 12 x (77)	2

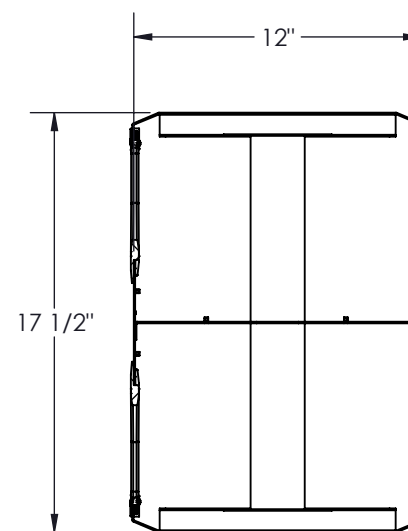
D

B

A

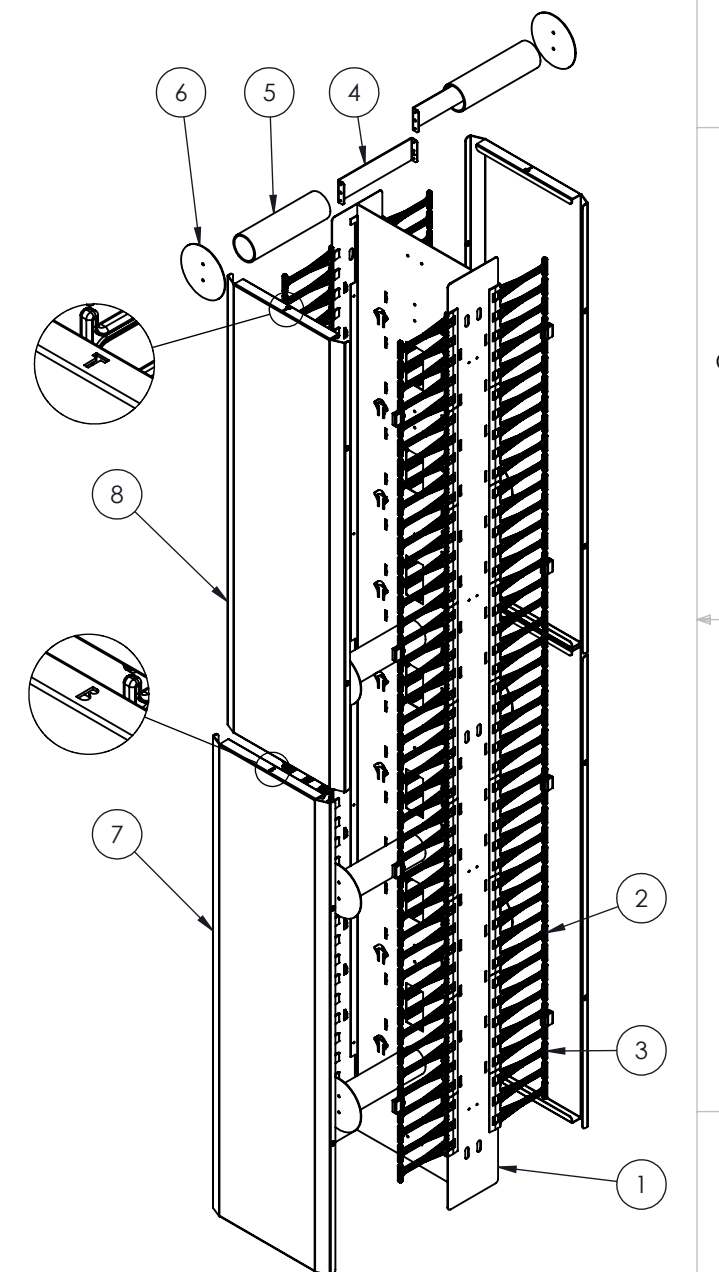


SECTION A-A

SECTION B-B
SCALE 1 : 8

NOTES:

- 1 - APPROX. WEIGHT: 59.35 LBS
- 2 - FINISH: TEXTURED POWDER COAT
- 3 - FINGERS MADE OF FIRE RETARDANT POLYCARBONT
- 4 - SHIPS WITH 12 SETS OF BOLTS 1/4-20 x 3/4"
- 5 - MATERIAL :
 - BODY: STEEL 16GA CRS (0.60")
 - DOOR: ALUMINUM 14 GA (.064")
- 6 - DOORS CAN BE SWING LEFT OR RIGHT AND ARE REMOVEABLE (TOOL-LESS)



D

C

B

Electron METAL PROUDLY MANUFACTURED IN CANADA

CONFIDENTIAL
 THE INFORMATION CONTAINED IN THIS DRAWING IS THE SOLE PROPERTY OF ELECTRON METAL A.I.G. INC. ANY REPRODUCTION IN PART OR AS A WHOLE WITHOUT THE WRITTEN PERMISSION OF A.I.G. ELECTRON METAL INC IS PROHIBITED.

DRAWN BY:
R.B.
 CHECKED BY:
R.B.

TITLE:
DOUBLE HD CABLE MGT 12 x (77) x 15- 2 WAY DOOR

FILE:
GestionCables12x77x15avecPortes_3373-005_Eng

PART NO.:
CMRH2D-124415

DWG NO.:
3373-005

REV.

SCALE:
1:10DATE:
2023-03-13SHEET:
1 / 1APPROVED BY:
E.D.