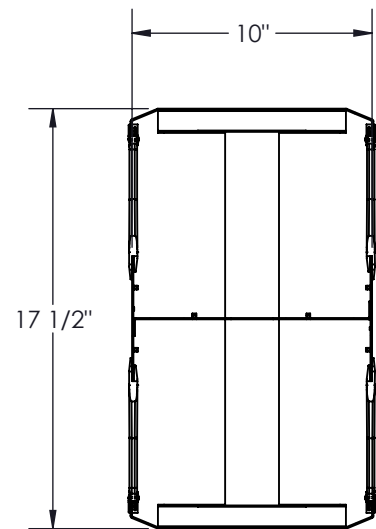
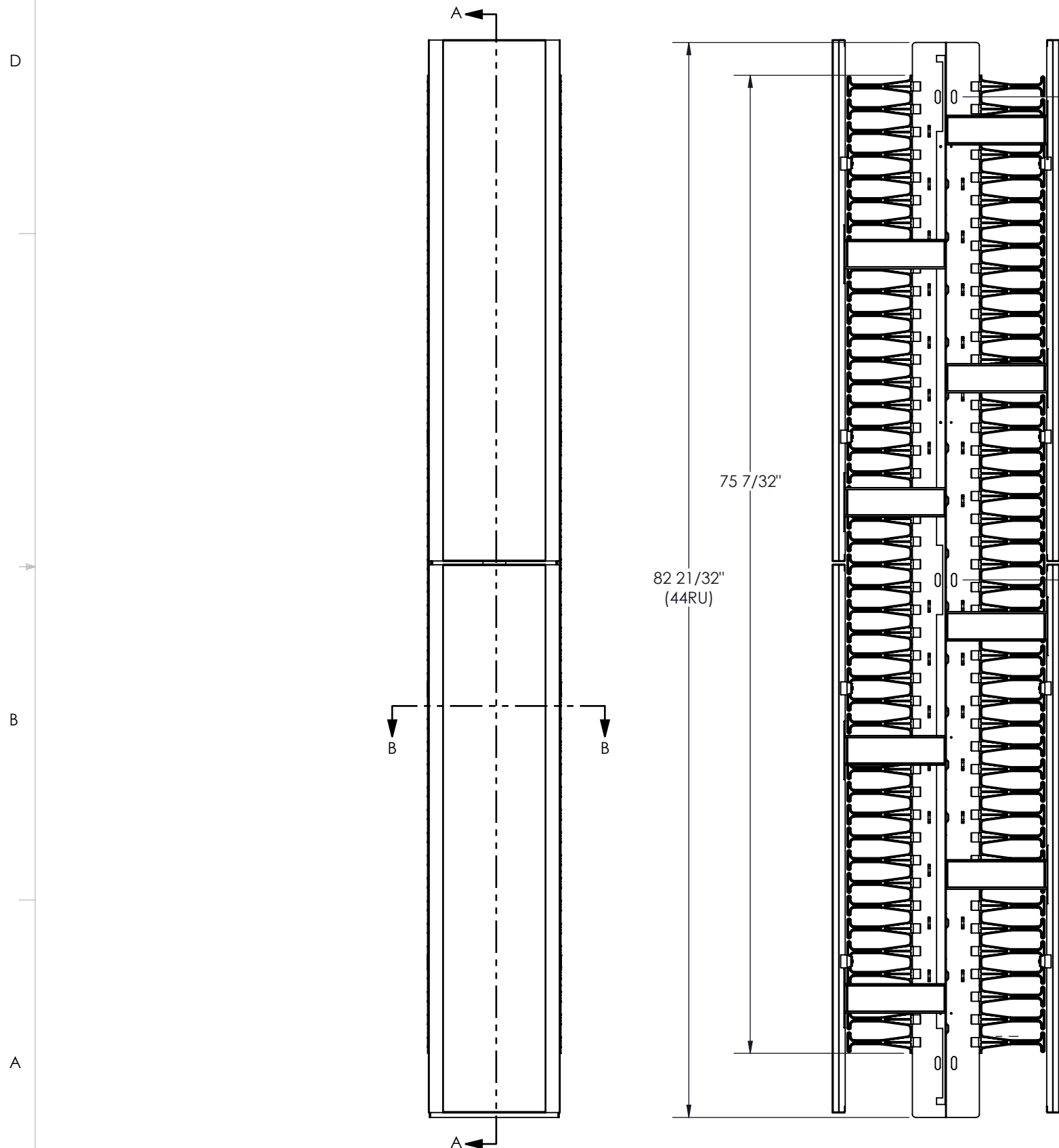
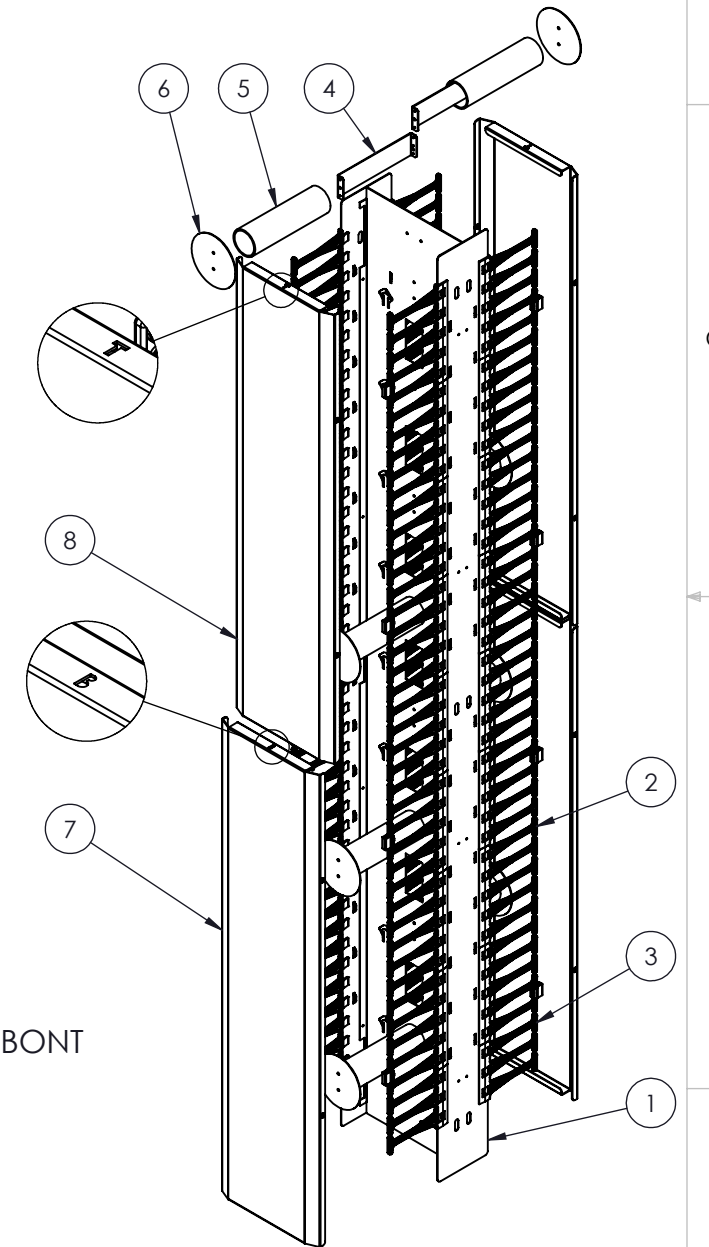


COLOR	PT# SUFFIX
BLACK	-BK
WHITE	-WH
GREY	-GY

NO.	DWG/SUPPLIER	CFG/SUPPLIER NO.	DESCRIPTION	QTY
1	3404-001	Default	FRAME DOUBLE 10 x (77) x 15	1
2	1305038739	5RU	PLASTIC CABLE MGT FINGERS	32
3	1305038739	3RU	PLASTIC CABLE MGT FINGERS	4
4	1305020805	7.75"	SPOOL BRACKET	8
5	1305020806	7.75"	SPOOL	8
6	1305020804	4.5"	SPOOL END PLATE	8
7	3282-022	Default	BOTTOM DOOR 10 x (77)	2
8	3282-020	Default	UPPER DOOR 10 x (77)	2



SECTION B-B  
SCALE 1 : 8



NOTES:

- 1 - APPROX. WEIGHT: 54.32 LB
- 2 - FINISH: TEXTURED POWDER COAT
- 3 - FINGERS MADE OF FIRE RETARDANT POLYCARBONT
- 4 - SHIPS WITH 12 SETS OF BOLTS 1/4-20 x 3/4"
- 5 - MATERIAL :
  - BODY: STEEL 16GA CRS (0.60")
  - DOOR: ALUMINUM 14 GA (.064")
- 6 - DOORS CAN BE SWUNG LEFT OR RIGHT AND ARE REMOVEABLE (TOOL-LESS)

**Electron METAL** PROUDLY MANUFACTURED IN CANADA

CONFIDENTIAL  
THE INFORMATION CONTAINED IN THIS DRAWING IS THE SOLE PROPERTY OF ELECTRON METAL A.I.G. INC. ANY REPRODUCTION IN PART OR AS A WHOLE WITHOUT THE WRITTEN PERMISSION OF A.I.G. ELECTRON METAL INC IS PROHIBITED.

DRAWN BY: E.D.	TITLE: DOUBLE HD CABLE MGT 10 x (77) x 15- 2 WAY DOOR			
CHECKED BY: E.D.	FILE: GestionCables10x77x15avecPortes_3373-002_Eng	REV.	SCALE: 1:10	DATE: 2022-04-12
PART NO.: CMRH2D-104415	DWG NO.: 3373-002	REV.	DATE: 2022-04-12	SHEET: 1 / 1

APPROVED BY:  
T.M.