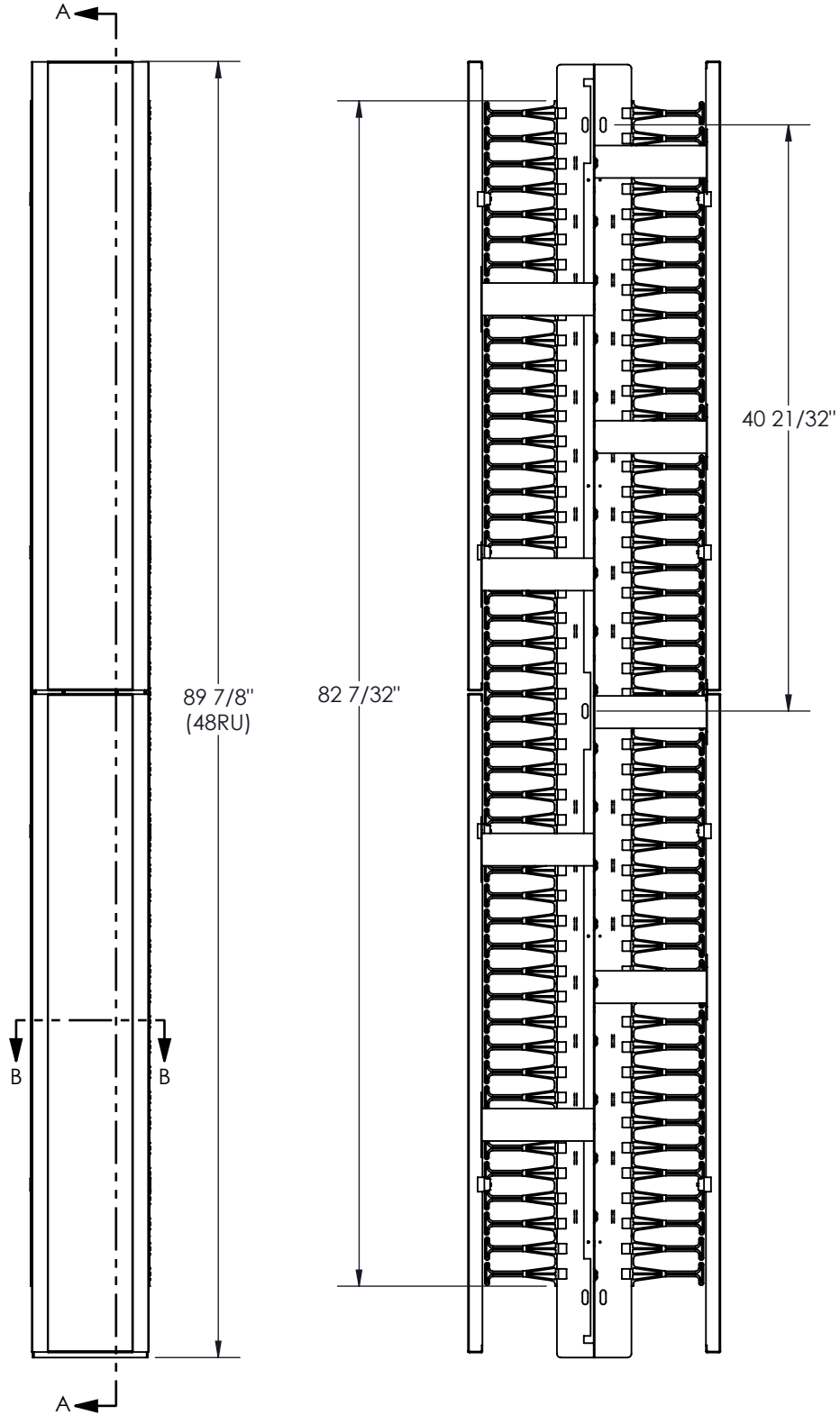


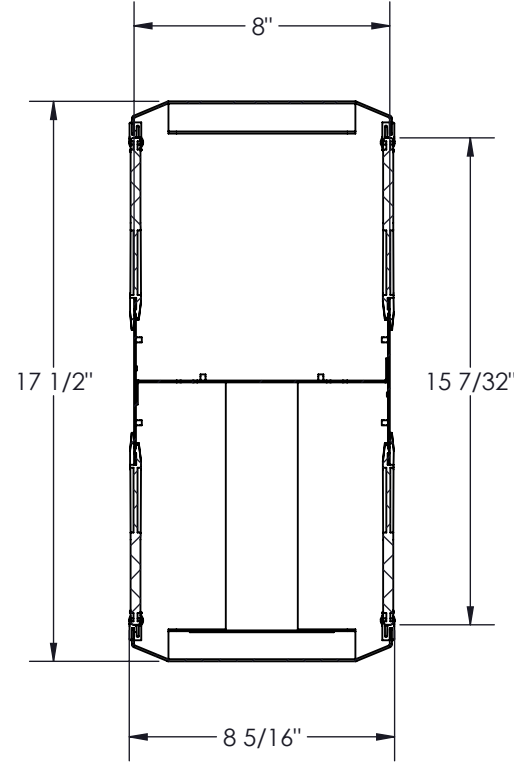
COLOUR	PT # SUFFIX
BLACK	-BK
WHITE	-WH
GREY	-GY

NO.	DWG/SUPPLIER	CFG/SUPPLIER NO.	DESCRIPTION	QTY
1	3404-014	Default	FRAME DOUBLE 8 x (84) x 15	1
2	1305038739	5RU	PLASTIC CABLE MGT FINGERS	36
3	1305038739	2RU	PLASTIC CABLE MGT FINGERS	4
4	1305020805	7.75"	SPOOL BRACKET	8
5	1305020806	7.75"	SPOOL	8
6	1305020804	4.5"	SPOOL END PLATE	8
7	3282-024	Default	BOTTOM DOOR 8 x (84)	2
8	3282-023	Default	UPPER DOOR 8 x (84)	2

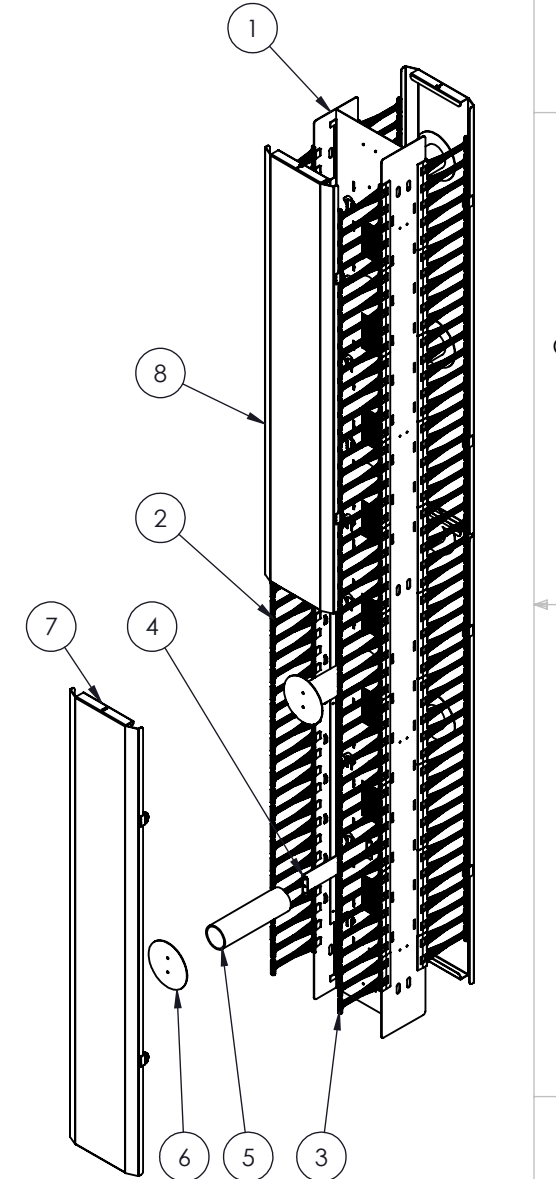
D



SECTION A-A



SECTION B-B
SCALE 1 : 6



NOTES:

- 1 - APPROX. WEIGHT: 52.9 LB
- 2 - FINISH: TEXTURED POWDER COAT
- 3 - MAT'L:
 - BODY 16 GA. (.060") C.R.S.
 - DOORS: .064" ALUM.
 - FINGERS: BLACK FIRE RETARTANT POLYCARBONAT (UL94 V-0)
- 4 - SHIPS WITH 12 SETS OF HEX BOLTS 1/4-20 x 3/4
- 5 - DOORS CAN BE SWUNG LEFT OR RIGHT AND ARE REMOVABLE (TOOL-LESS).

B

A

D

C

B

<p>Electron METAL PROUDLY MANUFACTURED IN CANADA</p>	DRAWN BY: E.D.	TITLE: DOUBLE HD CABLE MGT 8 x (84) x 15 WITH DOORS
	CHECKED BY: E.D.	
<p>CONFIDENTIAL THE INFORMATION CONTAINED IN THIS DRAWING IS THE SOLE PROPERTY OF ELECTRON METAL A.I.G. INC. ANY REPRODUCTION IN PART OR AS A WHOLE WITHOUT THE WRITTEN PERMISSION OF A.I.G. ELECTRON METAL INC IS PROHIBITED.</p>	FILE: GestionCables8x84x15avecPortes_3373-001_Eng	PART NO.: CMRH2D-084815
	DWG NO.: 3373-001	REV.: 1:12
APPROVED BY: T.M.	SHEET: 1 / 1	

8

7

6

5

4

1