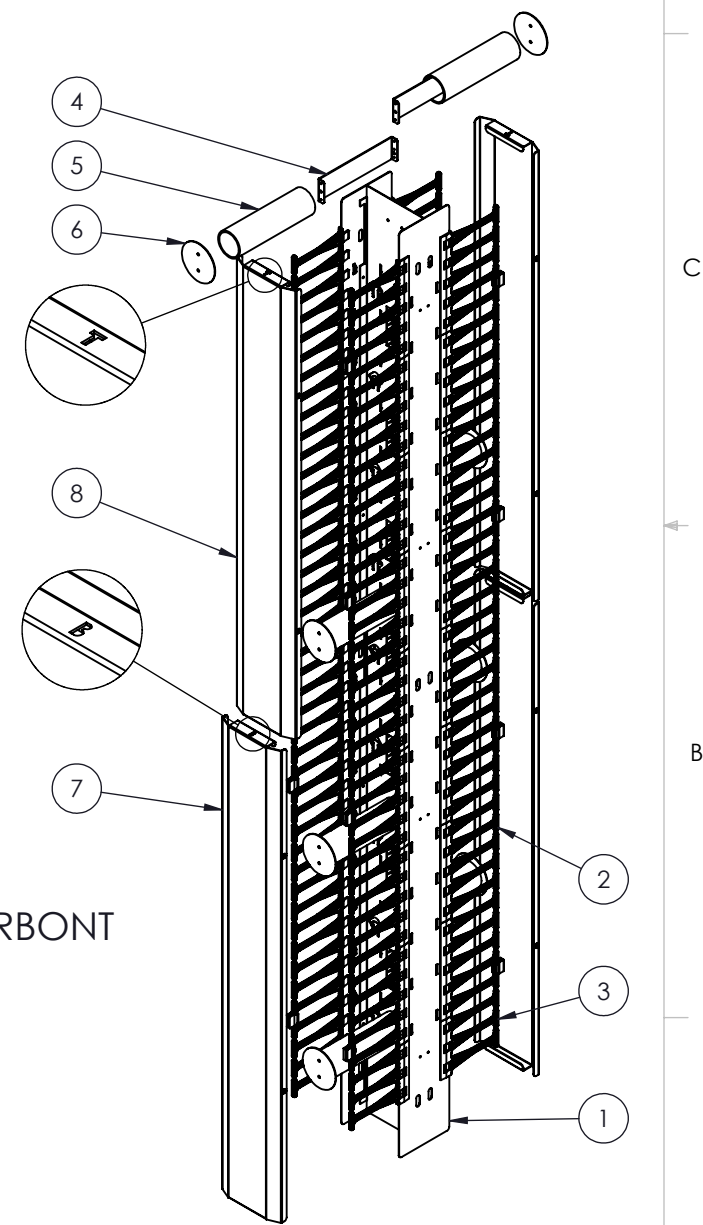
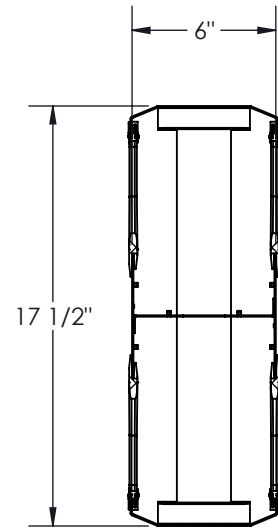
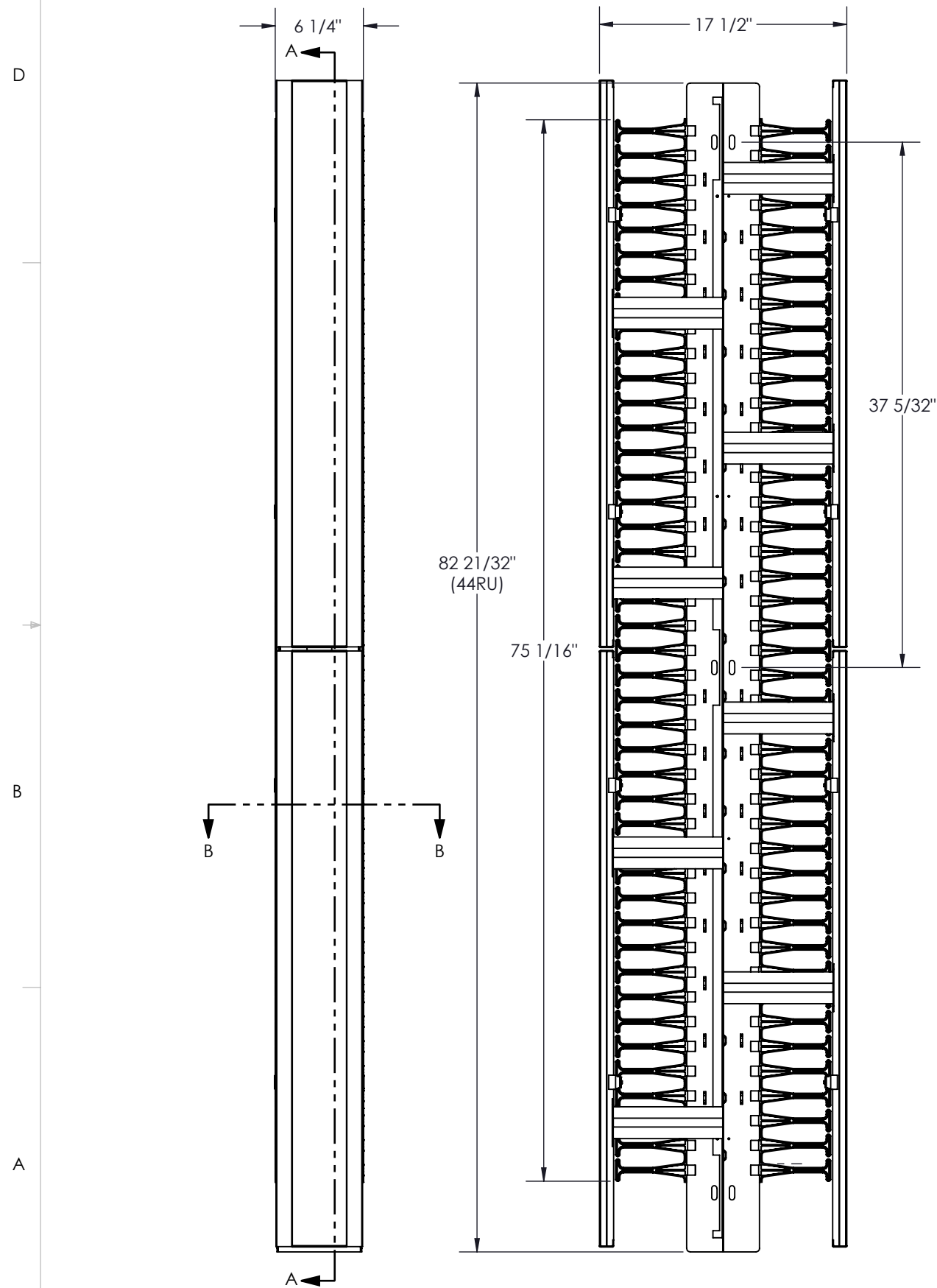


COLOR	PT# SUFFIX
BLACK	-BK
WHITE	-WH
GREY	-GY

NO.	DWG/SUPPLIER	CFG/SUPPLIER NO.	DESCRIPTION	QTY
1	3404-004	Default	FRAME DOUBLE 6 x (77) x 15	1
2	1305038739	5RU	PLASTIC CABLE MGT FINGERS	32
3	1305038739	3RU	PLASTIC CABLE MGT FINGERS	4
4	1305020805	7.75"	SPOOL BRACKET	8
5	1305020806	7.75"	SPOOL	8
6	1305020804	3.375"	SPOOL END PLATE	8
7	3282-003	Default	BOTTOM DOOR 6 x (77)	2
8	3282-008	Default	UPPER DOOR 6 x (77)	2



NOTES:

- 1 - APPROX. WEIGHT: 43.40 LB
- 2 - FINISH: TEXTURED POWDER COAT
- 3 - FINGERS MADE OF FIRE RETARDANT POLYCARBONT
- 4 - SHIPS WITH 12 SETS OF BOLTS 1/4-20 x 3/4"
- 5 - MATERIAL :
 - BODY: STEEL 16GA CRS (0.60")
 - DOOR: ALUMINUM 14 GA (.064")

<p>Electron METAL PROUDLY MANUFACTURED IN CANADA</p> <p><small>CONFIDENTIAL</small> THE INFORMATION CONTAINED IN THIS DRAWING IS THE SOLE PROPERTY OF ELECTRON METAL A.I.G. INC. ANY REPRODUCTION IN PART OR AS A WHOLE WITHOUT THE WRITTEN PERMISSION OF A.I.G. ELECTRON METAL INC IS PROHIBITED.</p>	DRAWN BY: T.M.	TITLE: DOUBLE HD CABLE MGT 6 x (77) x 15- 2 WAY DOOR			
	CHECKED BY: T.M.	FILE: GestionCables6x77x15AvecPortes_3440-001_Eng			
PART NO.: CMRH2D-064415	DWG NO.: 3440-001	REV.:	SCALE: 1:10	DATE: 2022-05-17	SHEET: 1 / 1