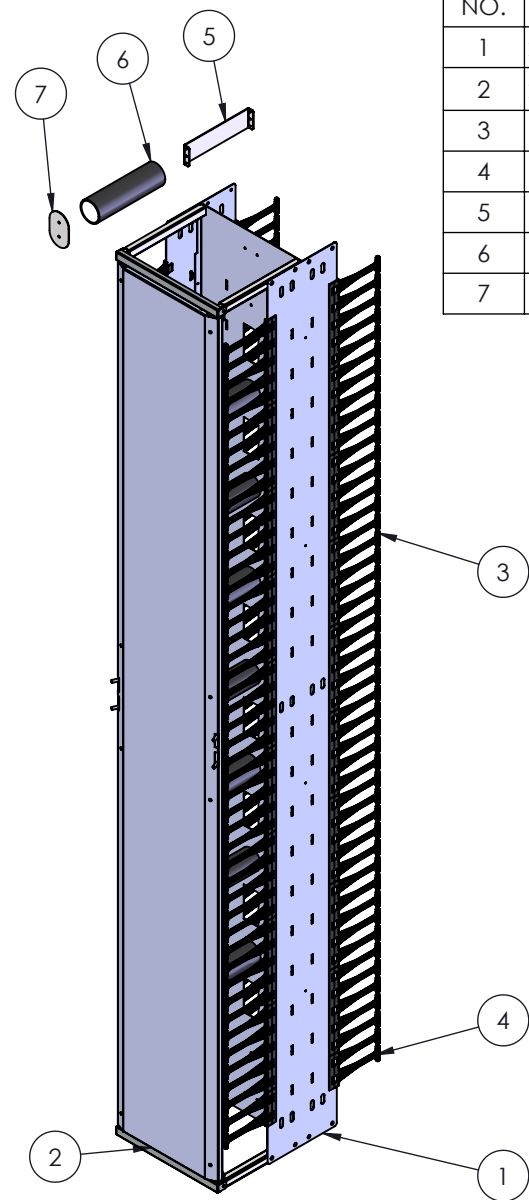
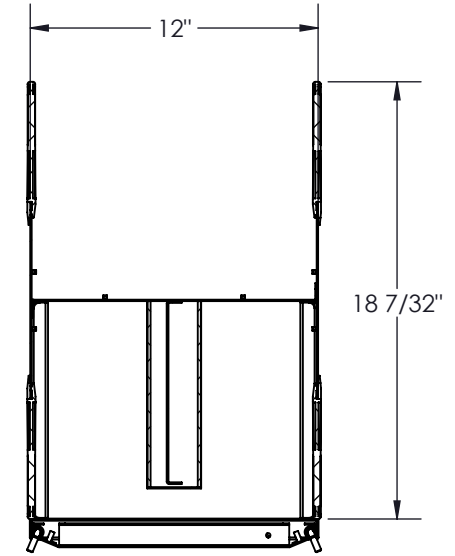


SECTION A-A



NO.	NOTE	DESCRIPTION	QTY
1	2312-002	FRAME DOUBLE 12 x (84) x 18	1
2	2301-002	2 WAY BEVELLED DOOR 48RU 12 x (84)	1
3	1305038739 - 8.75"	PLASTIC CABLE MGT FINGERS	36
4	1305038739 - 3.5"	PLASTIC CABLE MGT FINGERS	4
5	1305020805 - 7.75"	SPOOL BRACKET	8
6	1305020806 - 7.75"	SPOOL	8
7	1305033797	OBLONG SPOOL END	8



SECTION B-B
SCALE 1 : 8

Electron METAL PROUDLY MANUFACTURED IN CANADA.

PROPRIETARY AND CONFIDENTIAL
THE INFORMATION CONTAINED IN THIS DRAWING IS THE SOLE PROPERTY OF A.I.G. ELECTRON METAL INC. ANY REPRODUCTION IN PART OR AS A WHOLE WITHOUT THE WRITTEN PERMISSION OF A.I.G. ELECTRON METAL INC IS PROHIBITED.

APPROVED BY:
5

DRAWN BY: E.D.	Title: DBL HIGH DENSITY CABLE MGT 48RU 12 x (84) x 18				
CHECKED BY: E.D.					
PROJECT: G:\SWDwgs\Racks\Zone4_4PostRack\GestionsCables\Double\	FILE: DbIHDVCM12x84x18_2312-001_Eng				
PART NO: CMR2ZD-124818	DRAWING NO: 2312-001	REV.: -	SCALE: 1:16	DATE: 2018-05-28	SHEET: 1 / 1