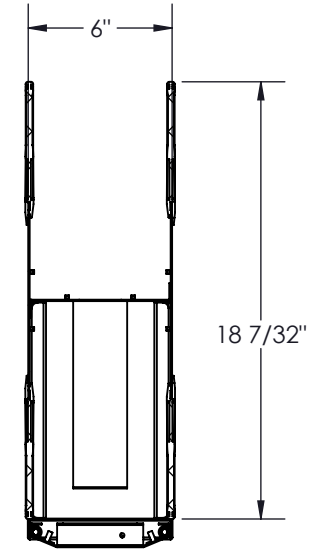


NO.	NOTE	DESCRIPTION	QTY
1	2311-002	FRAME DOUBLE 6 x (84) x 18	1
2	2300-003	2 WAY BEVELLED DOOR 44RU 6 x (84)	1
3	1305038739 - 8.75"	PLASTIC CABLE MGT FINGERS	36
4	1305038739 - 3.5"	PLASTIC CABLE MGT FINGERS	4
5	1305020805 - 7.75"	SPOOL BRACKET	8
6	1305020806 - 7.75"	SPOOL	8
7	1305033797	OBLONG SPOOL END	8



**Electron METAL** PROUDLY MANUFACTURED IN CANADA.

PROPRIETARY AND CONFIDENTIAL  
 THE INFORMATION CONTAINED IN THIS DRAWING IS THE SOLE PROPERTY OF A.I.G. ELECTRON METAL INC. ANY REPRODUCTION IN PART OR AS A WHOLE WITHOUT THE WRITTEN PERMISSION OF A.I.G. ELECTRON METAL INC IS PROHIBITED.

APPROVED BY:

DRAWN BY: E.D.	Title: DBL HIGH DENSITY CABLE MGT 48RU 6 x (84) x 18	
CHECKED BY: E.D.		
PROJECT: G:\SWDwgs\Racks\Zone4_4PostRack\GestionsCables\Double\	FILE: DbIHDVCM6x84x18_2311-001_Eng	
PART NO: CMR2ZD-064818	DRAWING NO: 2311-001	REV.: -
	SCALE: 1:16	DATE: 2018-05-28
		SHEET: 1 / 1