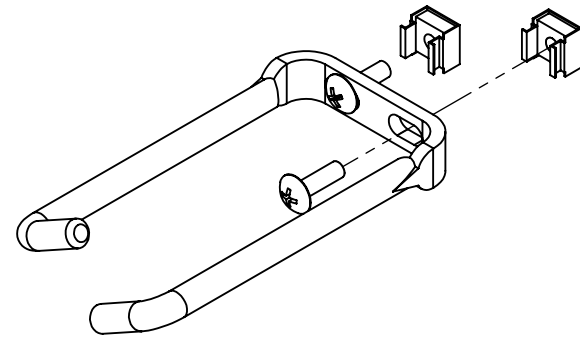
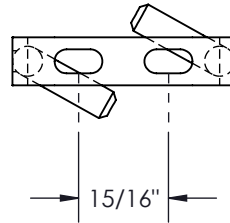
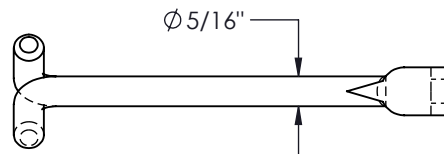
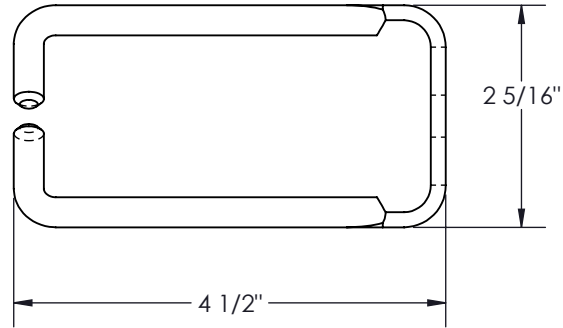


NO.	NOTE	DESCRIPTION	QTY
1	10-32 (SHIP LOOSE)	CAGE-NUT	10
2	1305028396 - 2.313 x 4.5	"D" RING FOR UAC	10
3	10-32 X 5/8 (SHIP LOOSE)	TRUSS HEAD SCREW QUADREX	2



NOTES:

1 - EACH KIT INCLUDES 5 RINGS.

REV.	DESCRIPTION	DATE	APPR.
A	OBLONG HOLES WERE ROUND	2023-11-03	E.D.
REVISIONS			



**PROPRIETARY AND CONFIDENTIAL**  
 THE INFORMATION CONTAINED IN THIS DRAWING IS THE SOLE PROPERTY OF ELECTRON METAL A.I.G. INC. ANY REPRODUCTION IN PART OR AS A WHOLE WITHOUT THE WRITTEN PERMISSION OF A.I.G. ELECTRON METAL INC IS PROHIBITED.

DRAWN BY:  
E.D.  
CHECKED BY:  
E.D.

Title:  
D-RING KIT OF 5 FOR U.A.C. 2 x 4.5

FILE:  
RingForUACKit\_1305029809\_Eng

APPROVED BY:

PART NO.:  
CMCREU-020004

DRAWING NO.:  
1305029809

REV.:  
A

SCALE:  
1:2

DATE:  
2011-06-30

SHEET:  
1 / 1