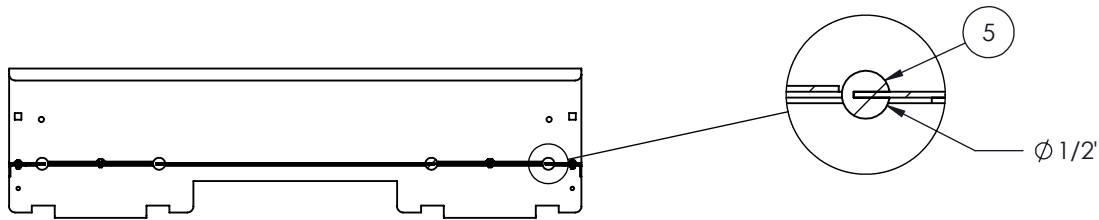
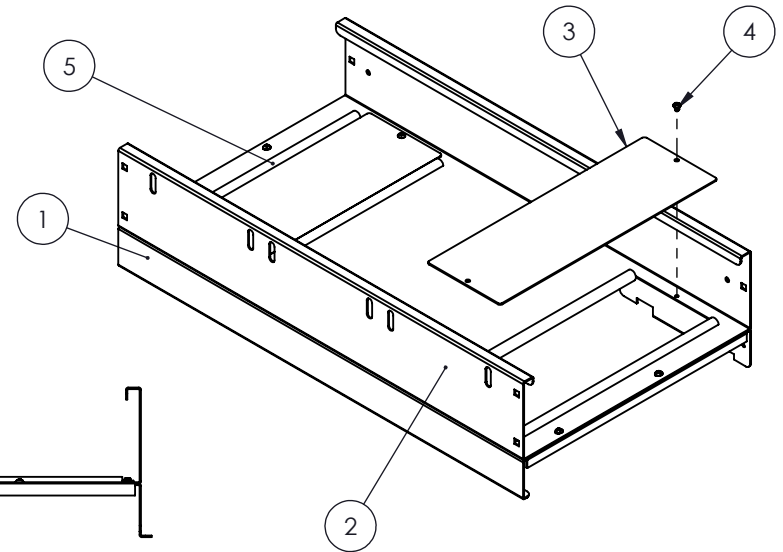
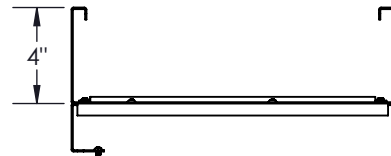
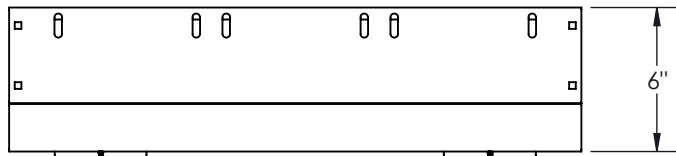
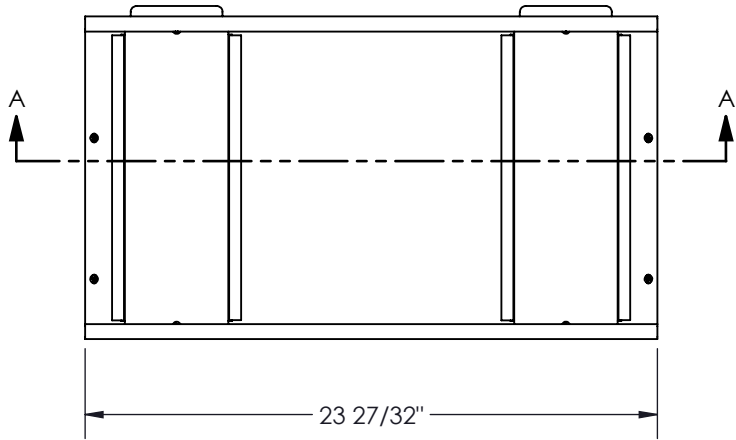



NO.	NOTE	DESCRIPTION	QTY
1	1305038586 - 24"	SUPPORT	1
2	2188-002 - 24"	COPPER CABLE TRAY 12"	1
3	2188-001 - 12.813"	COVER	2
4	8 - 32 x 1/4	THREAD-ROLLING SCREWS	10
5	SPAENAU_825-227 - 11.875"	EXTRUDED NEOPRENE CHANNEL	4



SECTION A-A

NOTES:

- 1 - APPROX. WEIGHT: 14 LB.
- 2 - FITS 24" WIDE SEREIS 4000 CABINET
- 3 - MAT'L: 16 GA. (.060") CRS
- 4 - FINISH: POLYESTER POWDER COAT.

 <p><b>PROUDLY MANUFACTURED IN CANADA.</b></p> <p><b>PROPRIETARY AND CONFIDENTIAL</b> THE INFORMATION CONTAINED IN THIS DRAWING IS THE SOLE PROPERTY OF A.I.G. ELECTRON METAL INC. ANY REPRODUCTION IN PART OR AS A WHOLE WITHOUT THE WRITTEN PERMISSION OF A.I.G. ELECTRON METAL INC IS PROHIBITED.</p>	DRAWN BY: R.B. CHECKED BY: R.B.	Title: <b>BASIC OVERHEAD CABLE MGT 24 x 4 x 12</b>						
	PROJECT: G:\SWDwgs\Cabinets\Ser4000\GestionCablesSuperieur\Cuivre\	FILE: GestionSuperieur24Cuivre_2188-003_Eng		PART NO.: CMCOCO-210412	DRAWING NO.: 2188-003	REV.: -	SCALE: 1:8	DATE: 2018-02-06