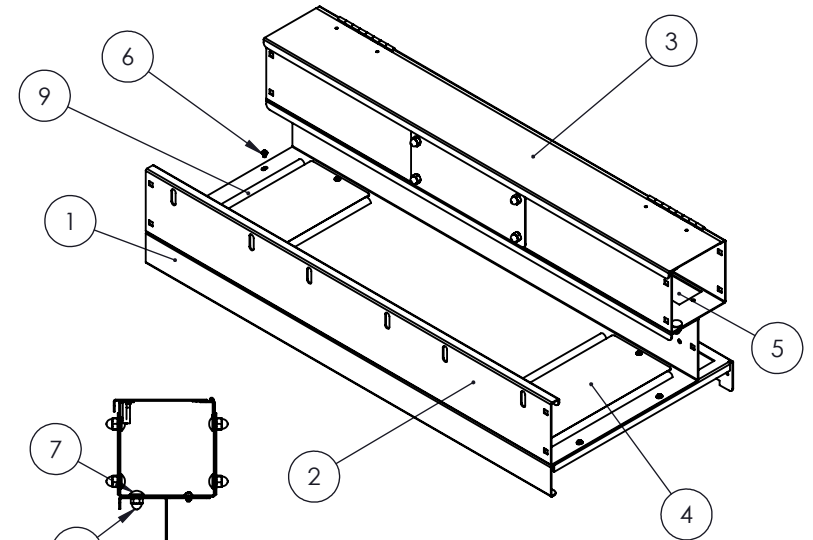
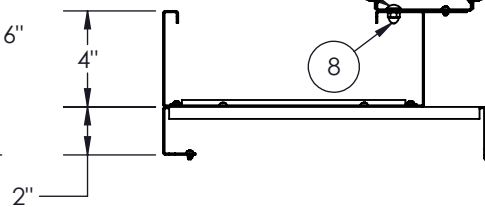
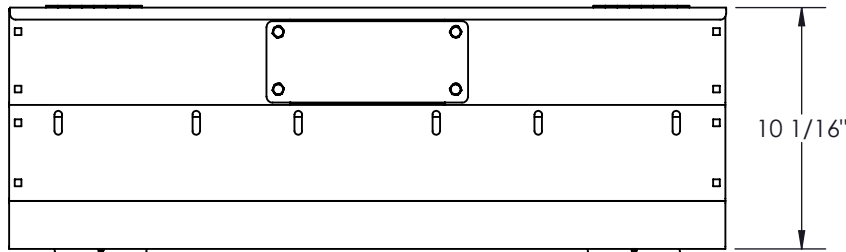
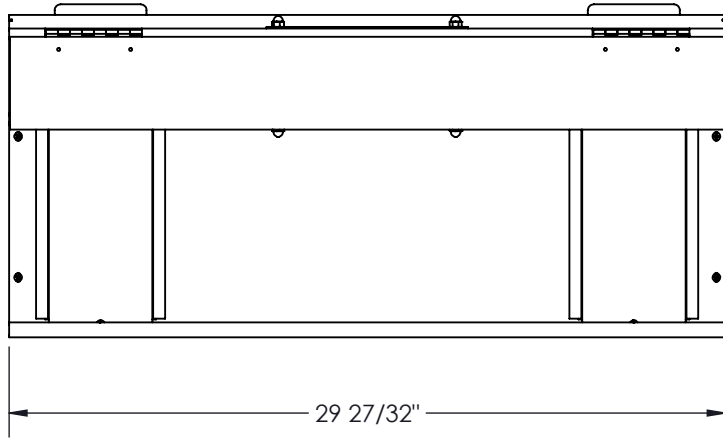



NO.	NOTE	DESCRIPTION	QTY
1	1305038586 - 30"	SUPPORT	1
2	1305038591 - 30"	COPPER CABLE TRAY	1
3	1305039302	FIBER CABLE CONDUIT 30 x 4 x 4	1
4	2188-001 - 10.25"	COVER	2
5	2190-002	COVER	2
6	8 - 32 x 1/4	THREAD-ROLLING SCREWS	14
7	1/4-20 x 1/2	CARRIAGE BOLT	2
8	1/4-20	ACORN NUT	2
9	SPAENAU_825-227 - 9.313"	EXTRUDED NEOPRENE CHANNEL	4



NOTES:

- 1 - APPROX. WEIGHT: 25 LB
- 2 - FINISH: POLYESTER POWDER COAT.
FIBER CONDUIT IS YELLOW U.O.S.
- 3 - FITS 30" WIDE SERIES 4000 CABINET.
- 4 - MAT'L: 16 GA. (.060") CRS

 <p>PROUDLY MANUFACTURED IN CANADA.</p> <p>PROPRIETARY AND CONFIDENTIAL THE INFORMATION CONTAINED IN THIS DRAWING IS THE SOLE PROPERTY OF A.I.G. ELECTRON METAL INC. ANY REPRODUCTION IN PART OR AS A WHOLE WITHOUT THE WRITTEN PERMISSION OF A.I.G. ELECTRON METAL INC IS PROHIBITED.</p>	DRAWN BY: E.D.	Title: OVERHEAD MGT 30", COPPER, FIBRE & NO DROP				
	CHECKED BY: E.D.	PROJECT: G:\SWD\wgr\Cabinets\Ser4000\Gestion\CablesSuperieur\CuivreFibre\		FILE: GestionSuperieur30CuivreFibreSansChute_2210-001_Eng		
PART NO.: CMCOCF-270411	DRAWING NO.: 2210-001	REV.: -	SCALE: 1:8	DATE: 2018-02-08	SHEET: 1 / 1	