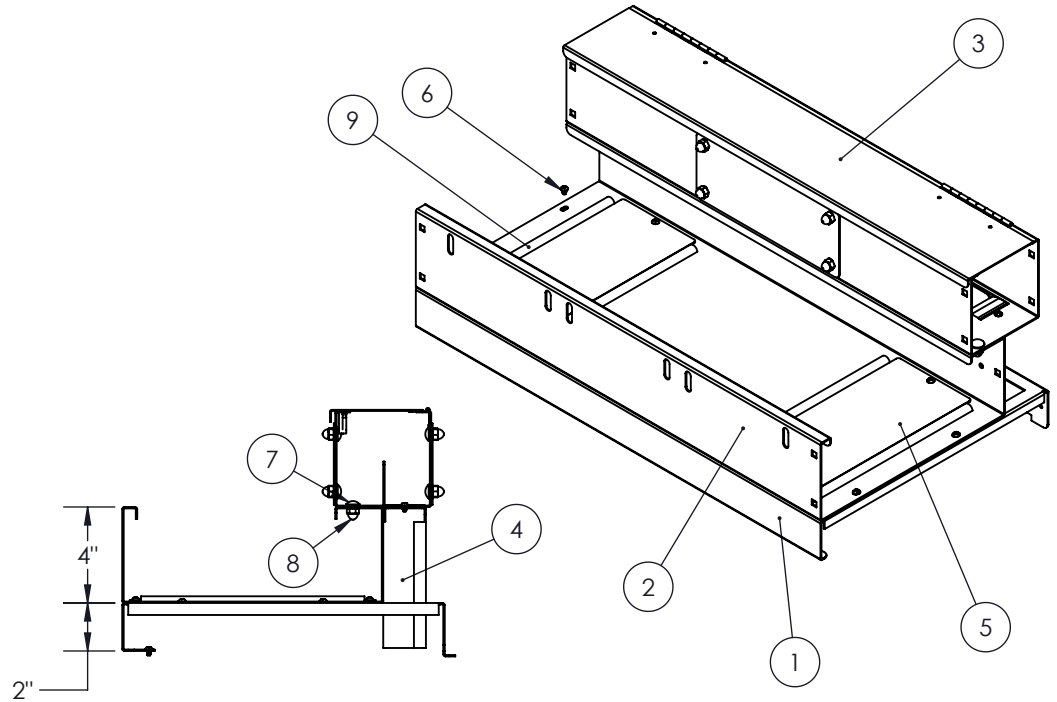
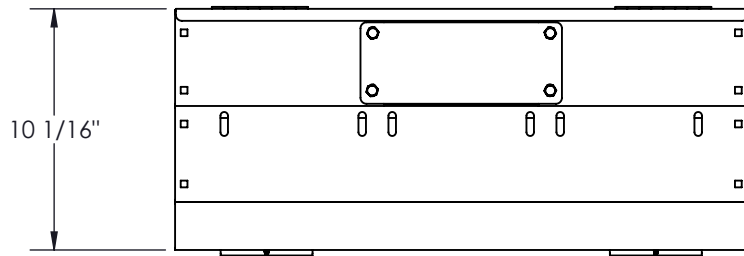
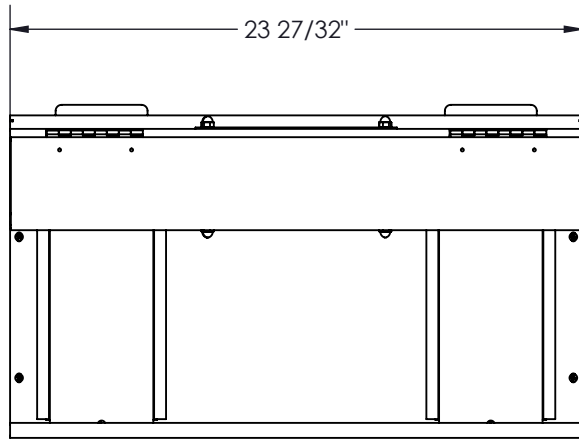


NO.	NOTE	DESCRIPTION	QTY
1	1305038586 - 24"	SUPPORT	1
2	1305038591 - 24"	COPPER CABLE TRAY	1
3	1305038587	FIBER CABLE CONDUIT 24 x 4 x 4	1
4	1305039263	FIBER DROP 2 x 6 x 2	2
5	2188-001	COVER	2
6	8 - 32 x 1/4	THREAD-ROLLING SCREWS	14
7	1/4-20 x 1/2	CARRIAGE BOLT	2
8	1/4-20	ACORN NUT	2
9	SPAENAU_825-227 - 9.313"	EXTRUDED CHANNELS SPAENAU 825-227	4



RÉV.	DESCRIPTION	DATE	APPR.	INV.
RÉVISIONS				



PROPRIETARY AND CONFIDENTIAL
 THE INFORMATION CONTAINED IN THIS DRAWING IS THE SOLE PROPERTY OF A.I.G. ELECTRON METAL INC. ANY REPRODUCTION IN PART OR AS A WHOLE WITHOUT THE WRITTEN PERMISSION OF A.I.G. ELECTRON METAL INC IS PROHIBITED.

DRAWN BY: R.B CHECKED BY: R.B	Title: OVERHEAD MGT 24", COPPER, FIBRE & DROPS			
PROJECT: Cabinets\Ser4000\GestionCablesSuperieur\CuivreFibreOverheadManagement24_1305038585_Eng	FILE: OverheadManagement24_1305038585_Eng			
PART NO.: CMCOCD-210411	DRAWING NO.: 1305038585	REV.: B	SCALE: 1:8	DATE: 2016-09-01
				SHEET: 1 / 1