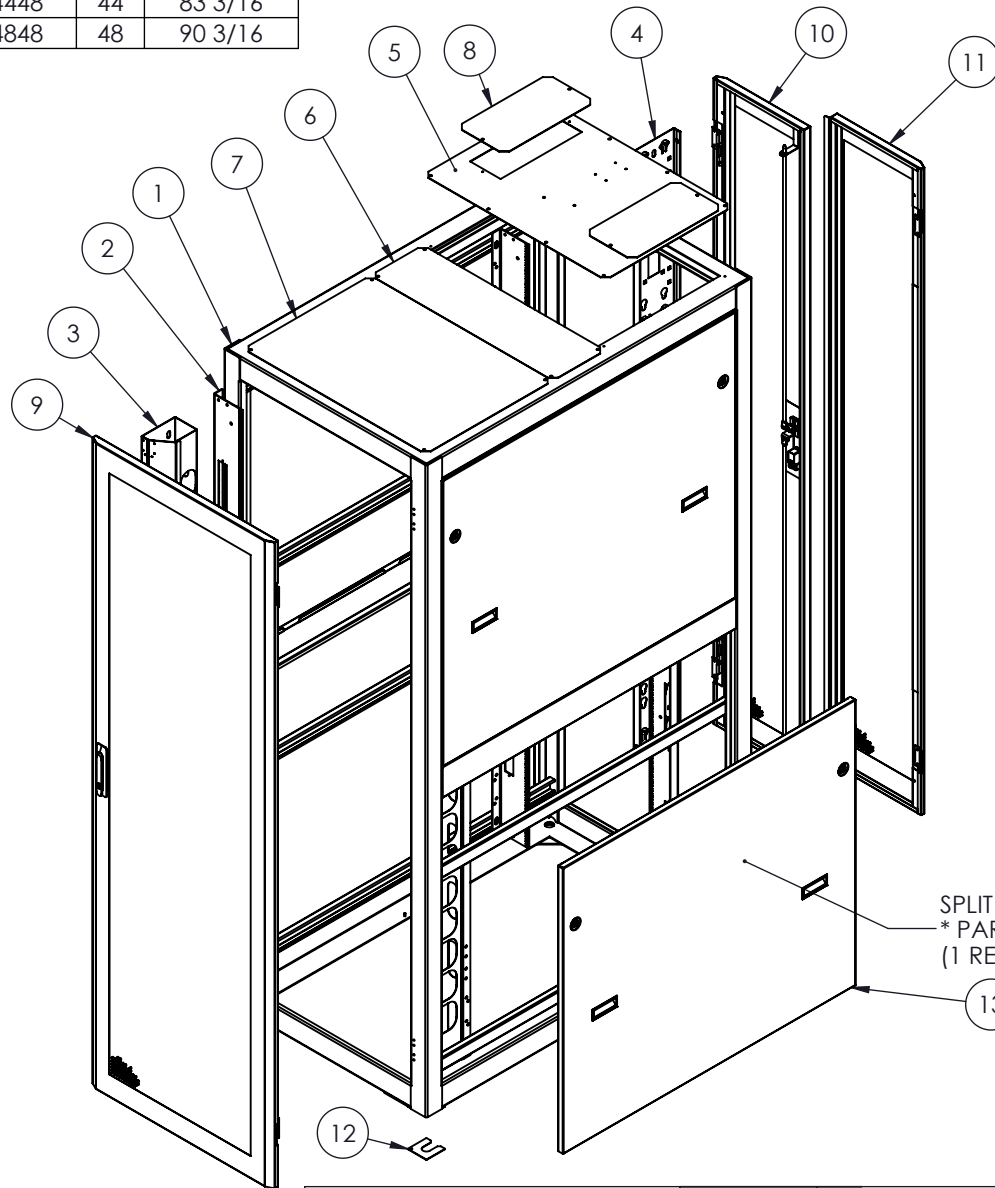


PART NO.	RU	HEIGHT
CBZKI4-254248	42	79 11/16
CBZKI4-254448	44	83 3/16
CBZKI4-254848	48	90 3/16



NO.	DESCRIPTION	QTY
1	SEISMIC FRAME V4 - 30"W x 48"D	1
2	MOUNTING RAIL CAGE-NUT 4.25" FOR BRUSH	4
3	VERTICAL CABLE MGT 3.25 x 5	2
4	VERTICAL CABLE MGT / U.A.C. - 6)	1
5	TOP COVER FOR BRUSH	1
6	TOP COVER MIDDLE Z4 - 48"D	1
7	TOP FRONT COVER SEISMIQUE V4	1
8	TOP FRONT COVER PLATE	2
9	PERFORATED DOOR	1
10	SPLIT DOOR PERF. RH	1
11	SPLIT DOOR PERF. L.H.	1
12	SHIM	8
13	HALF SPLIT SIDE PANEL 48"D - OPTIONAL	2

NOTES:

- 1 - CERTIFIED TO BELLCORE GR-63-CORE
- 2 - FINISH: TEXTURED POWEDER COAT
- 3 - CABINET MUST BE ANCHORED USING 4 SEISMIC RATED ANCHORS (NOT INCLUDED).
- 4 - FRAME MAT'L: 11 GA. (.120") COLD ROLLED STEEL

SPLIT SIDE PANEL OPTIONAL
 * PART NO.: SPZSLK-00 **RU** 48
 (1 REQUIRED PER SIDE)

* SUBSTITUTE **RU** WITH ACTUAL NUMBER OF RACKUNITS.
 EX.: SPZSLK-00**44**48-BK



PROPRIETARY AND CONFIDENTIAL
 THE INFORMATION CONTAINED IN THIS DRAWING IS THE SOLE PROPERTY OF A.I.G. ELECTRON METAL INC. ANY REPRODUCTION IN PART OR AS A WHOLE WITHOUT THE WRITTEN PERMISSION OF A.I.G. ELECTRON METAL INC IS PROHIBITED.

APPROVED BY:
 T.M.

DRAWN BY:
 E.D.

CHECKED BY:
 E.D.

PROJECT:
 G:\SWDwgs\Cabinets\Zone_4_Etroit\EnsemblesReseau\

PART NO:
 SEE TABLE

Title:

SEISMIC CABINET V4 - NETWORK CFG - 30"W x 48"D

FILE:
 CabZ4_25xRUx48_2747-004_Eng

DRAWING NO.:
 2747-004

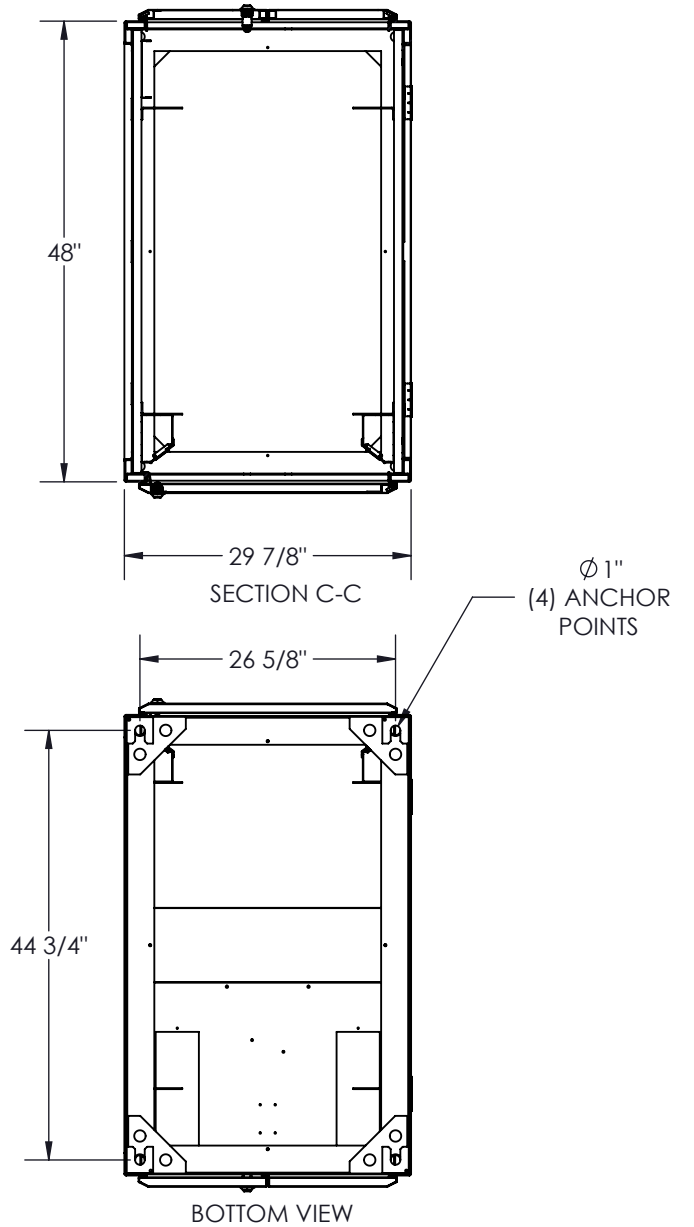
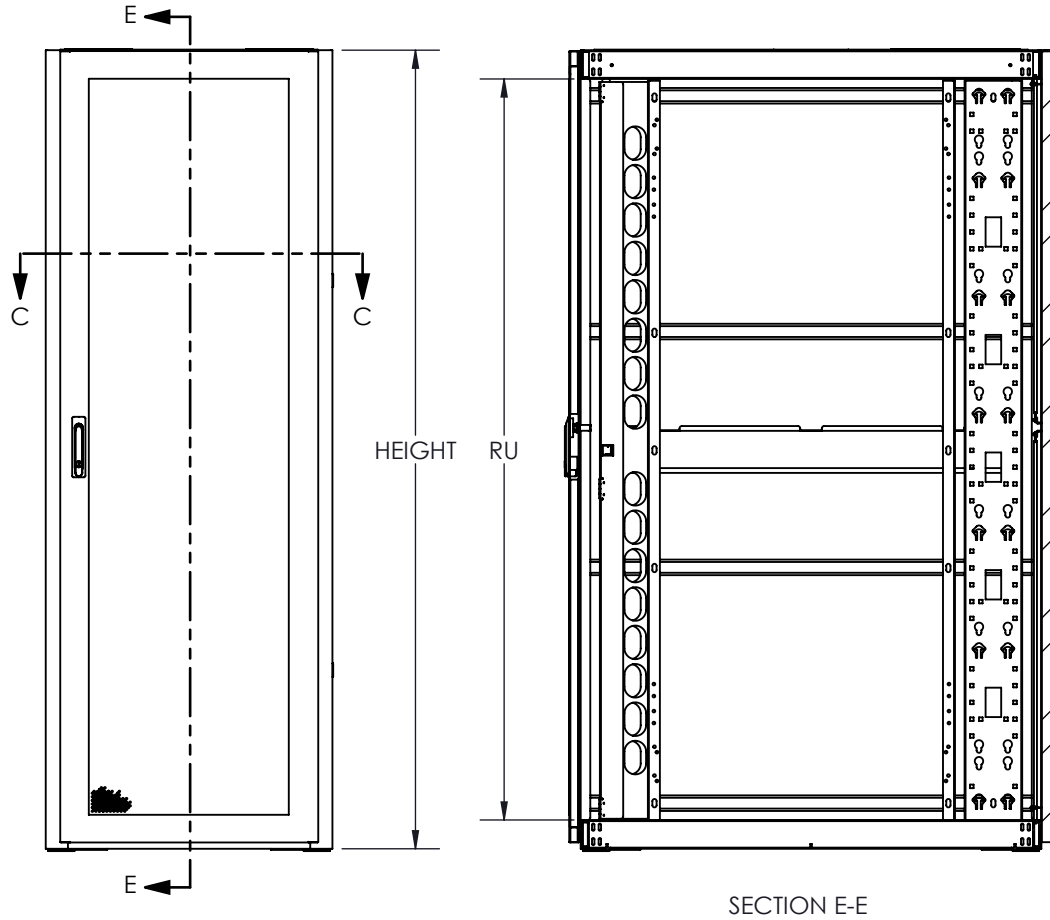
REV.:
 -

SCALE:
 1:20

DATE:
 2019-07-10

SHEET:
 1 / 2

PART NO.	RU	HEIGHT
CBZKI4-254248	42	79 11/16
CBZKI4-254448	44	83 3/16
CBZKI4-254848	48	90 3/16



Electron METAL PROUDLY MANUFACTURED IN CANADA.

PROPRIETARY AND CONFIDENTIAL
 THE INFORMATION CONTAINED IN THIS DRAWING IS THE SOLE PROPERTY OF A.I.G. ELECTRON METAL INC. ANY REPRODUCTION IN PART OR AS A WHOLE WITHOUT THE WRITTEN PERMISSION OF A.I.G. ELECTRON METAL INC IS PROHIBITED.

APPROVED BY:
T.M.

DRAWN BY:
E.D.

CHECKED BY:
E.D.

PROJECT:
G:\SWDwgs\Cabinets\Zone_4_Etroit\EnsemblesReseau\

PART NO.:
SEE TABLE

Title:
SEISMIC CABINET V4 - NETWORK CFG - 30"W x 48"D

FILE:
CabZ4_25xRUx48_2747-004_Eng

DRAWING NO.:
2747-004

REV.:
-

SCALE:
1:20

DATE:
2019-07-10

SHEET:
2 / 2