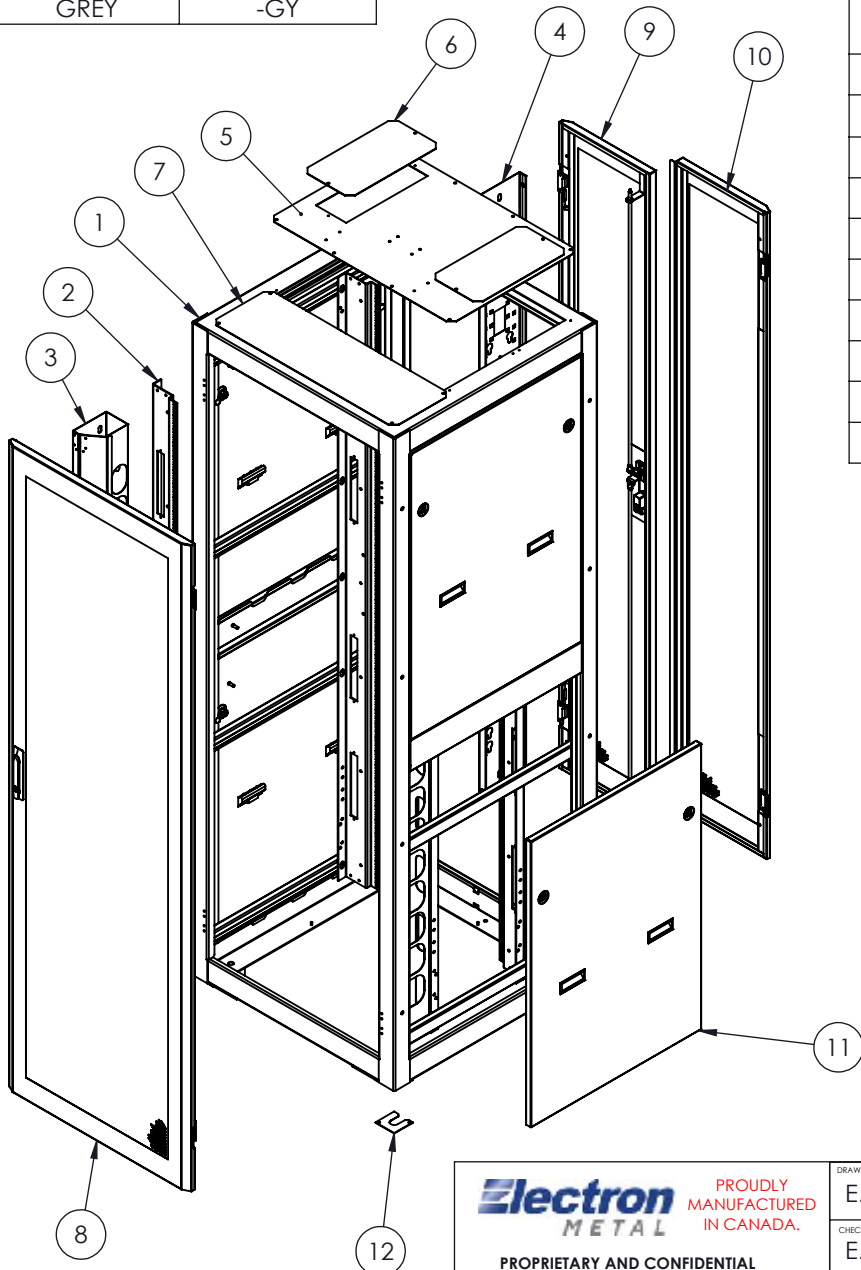


COLOUR	PT# SUFFIX
BLACK	-BK
WHITE	-WH
GREY	-GY



NO.	DWG/SUPPLIER	CFG/SUPPLIER NO.	DESCRIPTION	QTY
1	1930-014	Default	SEISMIC FRAME V4 - 44RU - 30 x 83 x 30	1
2	2284-004	(77")	REINFORCED MTG RAIL CAGE-NUT 4.25" FOR BRUSH	4
3	1305021980	Default	VERTICAL CABLE MGT 3.25 x (77) x 5	2
4	1725-001	Default	VERTICAL CABLE MGT / U.A.C. 44RU (77) x 6	1
5	1741-001	(27)	TOP COVER FOR BRUSH	1
6	1305038320	Default	TOP FRONT COVER PLATE	2
7	2531-001	(25) x 30	TOP FRONT COVER SEISMIQUE V4	1
8	2647-006	Default	PERFORATED DOOR (25 x 77)	1
9	1967-007	Default	SPLIT DOOR PERF. RH (25 x 77)	1
10	1967-008	Default	SPLIT DOOR PERF. L.H. (25 x 77)	1
11	2532-010	Default	HALF SPLIT SIDE PANEL (77) x 30	4
12	2629-001	Default	LEVELLING SHIM	8

NOTES:

- 1 - CERTIFIED TO:
 - BELLCORE GR-63-CORE, 4.4.1-2
 - CSA 22.2 NO. 70950-1
- 2 - APPROX. WEIGHT: 407 LB
- 3 - SEISMIC CAPACITY: 807 LB
- 4 - STATIC CAPACITY: 3000 LBS
- 5 - FINISH: TEXTURED POWDER COAT
- 6 - CABINET MUST BE ANCHORED USING 4 SEISMIC RATED ANCHORS (NOT INCLUDED).
- 7 - FRAME MAT'L: 11 GA. (.120") COLD ROLLED STEEL
- 8 - ALSO INCLUDED (NOT SHOWN):
 - 100 HEAVY DUTY CAGE-NUTS 10-32
 - 100 TRUSS HEAD SCREWS 10-32 x 5/8 BLACK

APPROVED BY:
T.M.

Electron PROUDLY MANUFACTURED IN CANADA.
METAL

PROPRIETARY AND CONFIDENTIAL
THE INFORMATION CONTAINED IN THIS DRAWING IS THE SOLE PROPERTY OF ELECTRON METAL A.I.G. INC. ANY REPRODUCTION IN PART OR AS A WHOLE WITHOUT THE WRITTEN PERMISSION OF A.I.G. ELECTRON METAL INC IS PROHIBITED.

DRAWN BY:
E.D.
CHECKED BY:
E.D.

Title:
SEISMIC CABINET V4 - 44RU (25 x 77) x 30
30 x 83 x 30

FILE:
CabZ4_25x77x30_2747-003_Eng

PART NO.:
CBZK14-254430

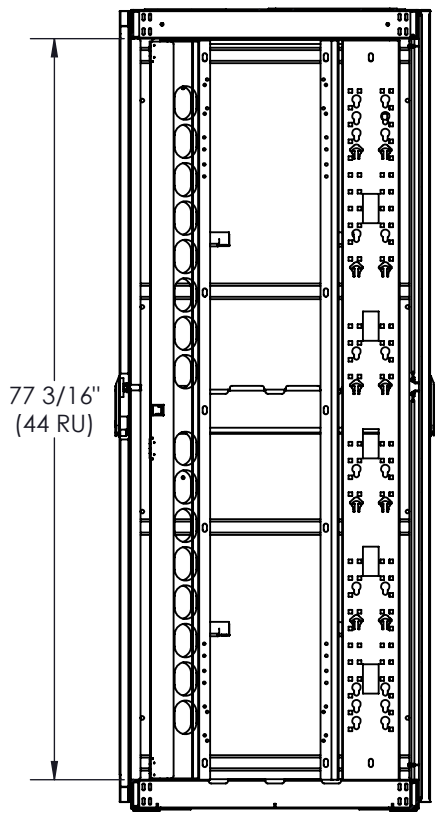
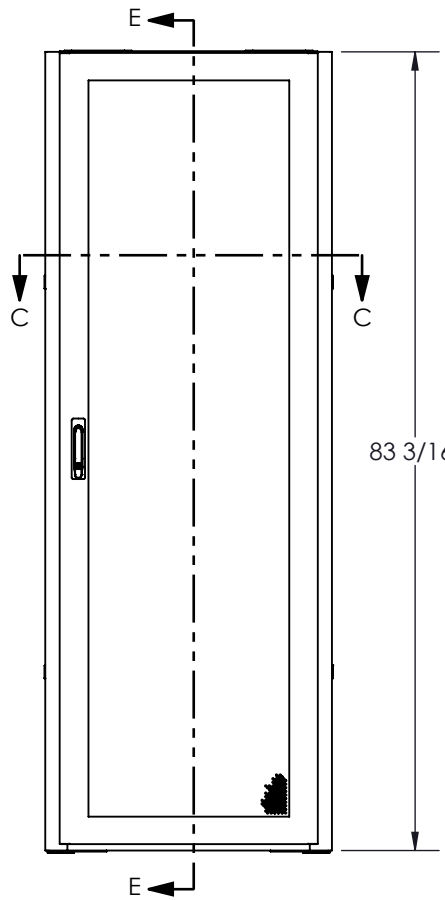
DRAWING NO.:
2747-003

REV.:
C

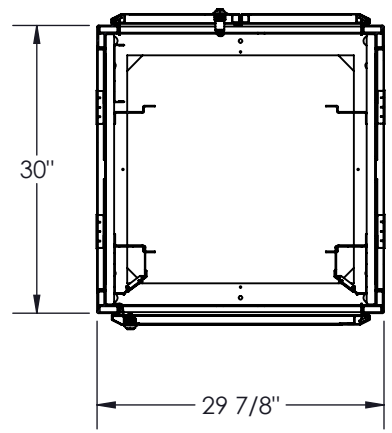
SCALE:
1:20

DATE:
2019-07-10

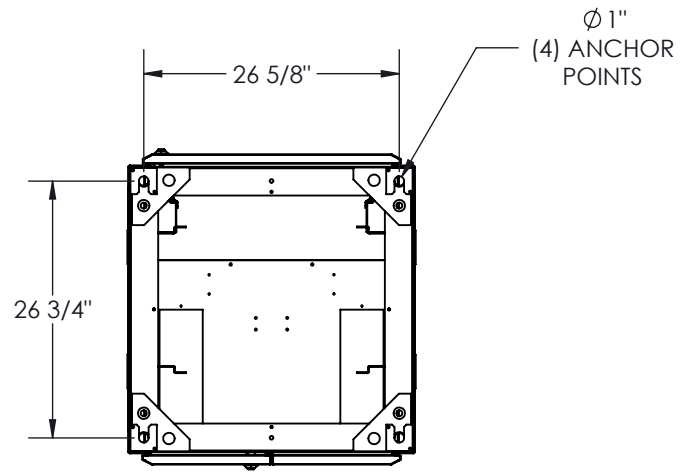
SHEET:
1 / 2



SECTION E-E



SECTION C-C



BOTTOM VIEW

Electron METAL PROUDLY MANUFACTURED IN CANADA.

PROPRIETARY AND CONFIDENTIAL
 THE INFORMATION CONTAINED IN THIS DRAWING IS THE SOLE PROPERTY OF ELECTRON METAL A.I.G. INC. ANY REPRODUCTION IN PART OR AS A WHOLE WITHOUT THE WRITTEN PERMISSION OF A.I.G. ELECTRON METAL INC IS PROHIBITED.

APPROVED BY:
 T.M.

DRAWN BY: E.D.	Title: SEISMIC CABINET V4 - 44RU (25 x 77) x 30 30 x 83 x 30				
CHECKED BY: E.D.					
FILE: CabZ4_25x77x30_2747-003_Eng					
PART NO.: CBZKI4-254430	DRAWING NO.: 2747-003	REV.: C	SCALE: 1:20	DATE: 2019-07-10	SHEET: 2 / 2