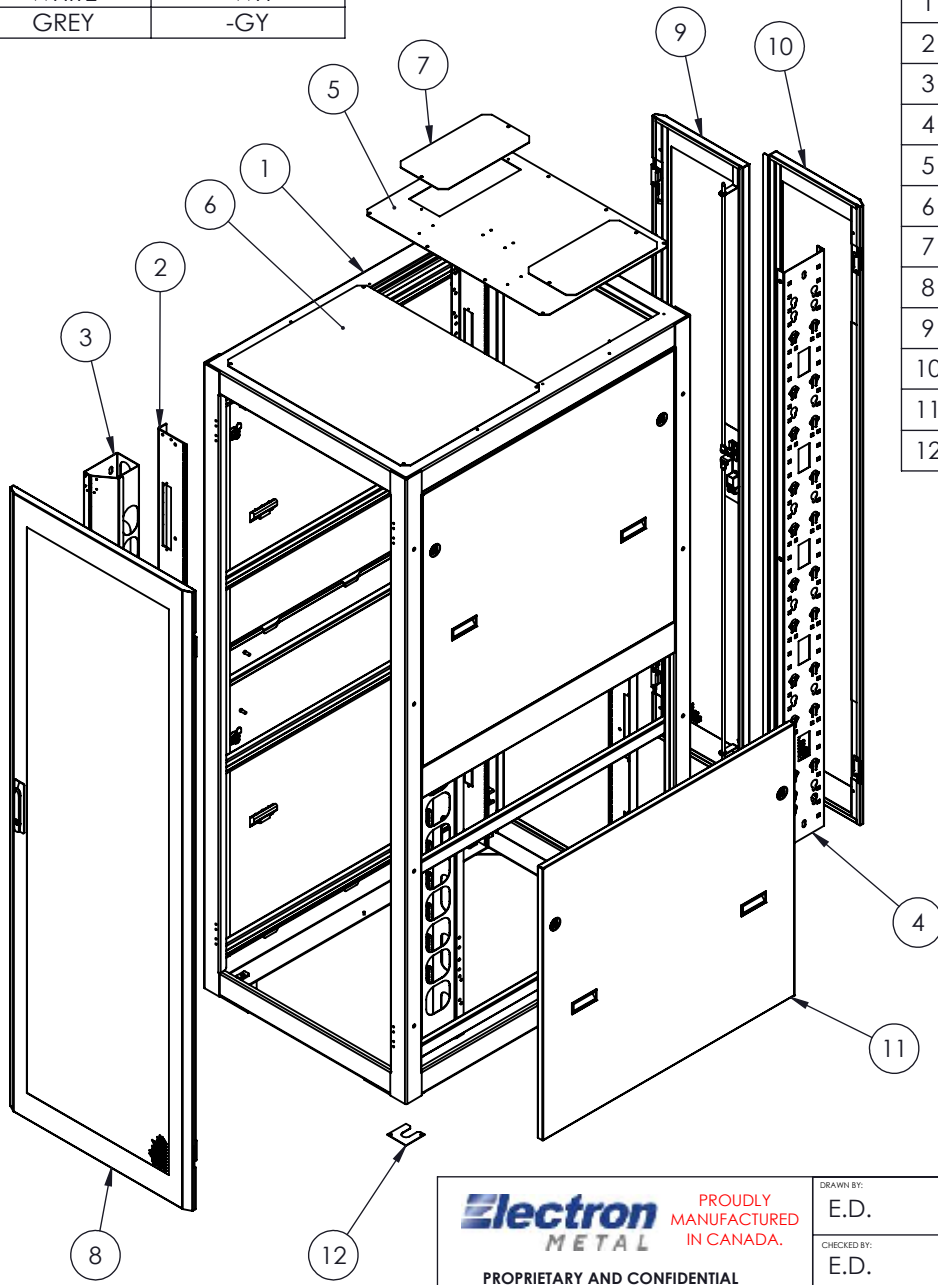


COLOUR	PT# SUFFIX
BLACK	-BK
WHITE	-WH
GREY	-GY

NO.	DWG/ SUPPLIER	CFG/ SUPPLIER NO.	DESCRIPTION	QTY
1	1930-023	Default	SEISMIC FRAME V4 - 42RU - 30 x 79.5 x 42	1
2	2086-001	(73.5")	MOUNTING RAIL CAGE-NUT 4.25" FOR BRUSH	4
3	1305025833	Default	CABLE MGT 3.25 x (73.5) x 5	2
4	2413-001	Default	VERTICAL CABLE MGT / U.A.C. (73.5) x 6	1
5	1741-001	(27)	TOP COVER FOR BRUSH	1
6	2531-001	(25) x 42	TOP FRONT COVER SEISMIQUE V4	1
7	1305038320	Default	TOP FRONT COVER PLATE	2
8	2647-008	Default	PERFORATED DOOR (25 x 73.5)	1
9	1967-012	Default	SPLIT DOOR PERF. RH (25 x 73.5)	1
10	1967-011	Default	SPLIT DOOR PERF. L.H. (25 x 73.5)	1
11	2532-003	Default	HALF SPLIT SIDE PANEL	4
12	2629-001	Default	LEVELLING SHIM	8



NOTES:

- 1 - CERTIFIED TO:
 - BELLCORE GR-63-CORE, 4.4.1-2
 - CSA 22.2 NO. 70950-1
- 2 - APPROX. WEIGHT: 444 LBS
- 3 - SEISMIC CAPACITY: 770 LBS
- 4 - STATIC CAPACITY: 3000 LBS
- 5 - FINISH: TEXTURED POWDER COAT
- 6 - CABINET MUST BE ANCHORED USING 4 SEISMIC RATED ANCHORS (NOT INCLUDED).
- 7 - FRAME MAT'L: 11 GA. (.120") COLD ROLLED STEEL
- 8 - ALSO INCLUDED (NOT SHOWN):
 - 100 HEAVY DUTY CAGE-NUTS 10-32
 - 100 TRUSS HEAD SCREWS 10-32 x 5/8 BLACK

Electron PROUDLY MANUFACTURED IN CANADA.
METAL

PROPRIETARY AND CONFIDENTIAL
 THE INFORMATION CONTAINED IN THIS DRAWING IS THE SOLE PROPERTY OF ELECTRON METAL A.I.G. INC. ANY REPRODUCTION IN PART OR AS A WHOLE WITHOUT THE WRITTEN PERMISSION OF A.I.G. ELECTRON METAL INC IS PROHIBITED.

APPROVED BY:
 T.M.

DRAWN BY:
 E.D.

CHECKED BY:
 E.D.

FILE:
 CabZ4_25x73x42_2747-005_Eng

PART NO.:
 CBZKI4-254242

Title:
 SEISMIQUE CABINET V4 - 42RU 30 x 79.5 x 42

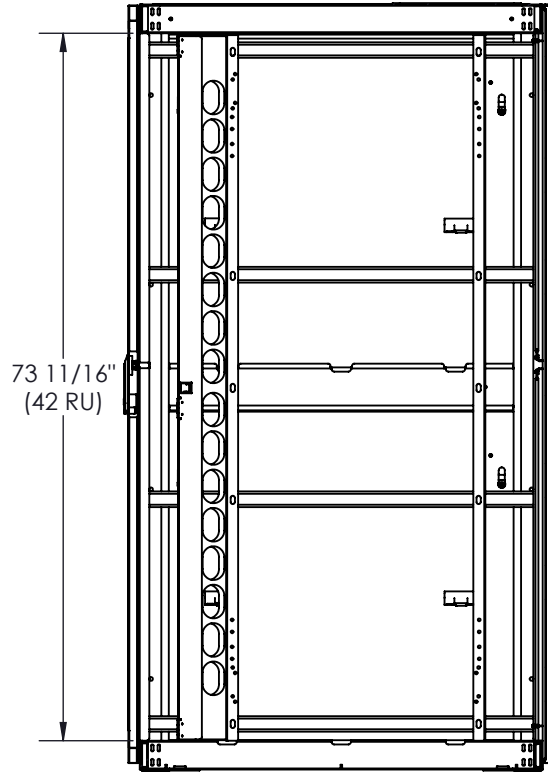
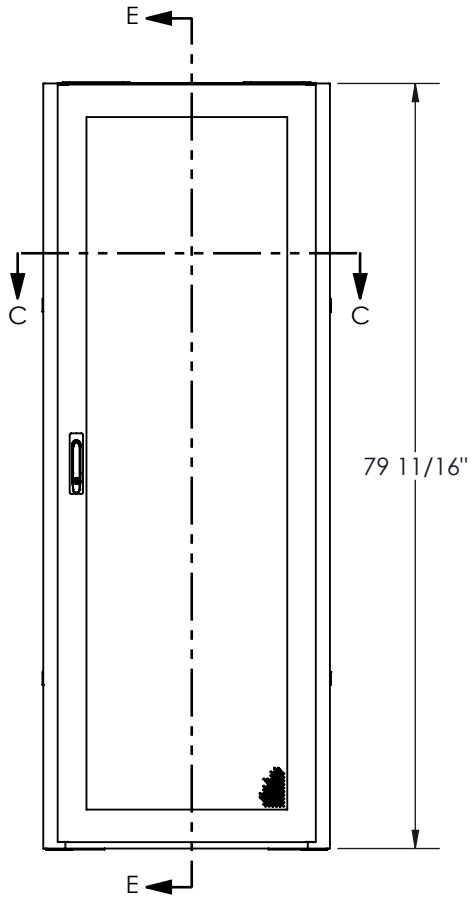
DRAWING NO.:
 2747-005

REV.:
 B

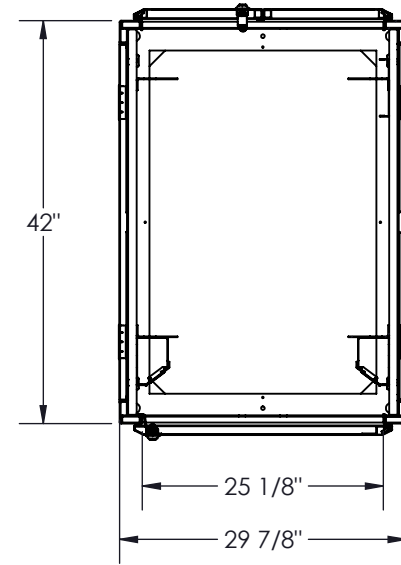
SCALE:
 1:20

DATE:
 2020-10-09

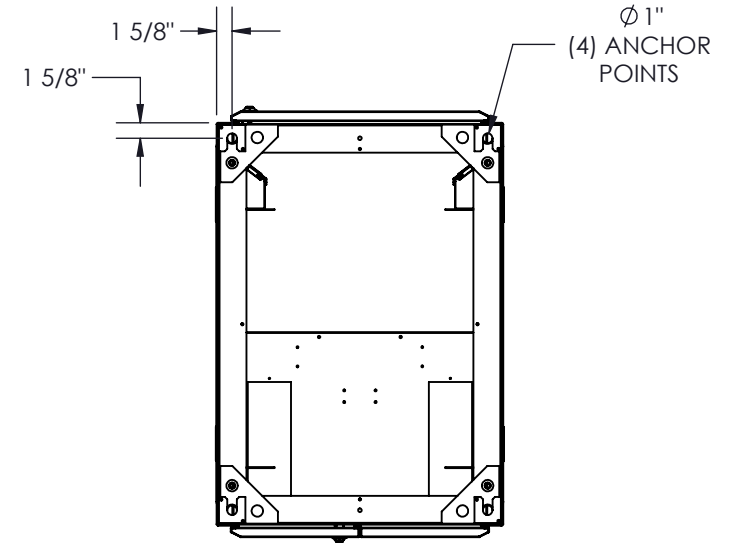
SHEET:
 1 / 2



SECTION E-E



SECTION C-C



BOTTOM VIEW

Electron PROUDLY MANUFACTURED IN CANADA.
METAL

PROPRIETARY AND CONFIDENTIAL
 THE INFORMATION CONTAINED IN THIS DRAWING IS THE SOLE PROPERTY OF ELECTRON METAL A.I.G. INC. ANY REPRODUCTION IN PART OR AS A WHOLE WITHOUT THE WRITTEN PERMISSION OF A.I.G. ELECTRON METAL INC IS PROHIBITED.

APPROVED BY:
 T.M.

5

DRAWN BY:
 E.D.

CHECKED BY:
 E.D.

FILE:
 CabZ4_25x73x42_2747-005_Eng

PART NO.:
 CBZKI4-254242

Title:
 SEISMIQUE CABINET V4 - 42RU 30 x 79.5 x 42

DRAWING NO.:
 2747-005

REV.:
 B

SCALE:
 1:20

DATE:
 2020-10-09

SHEET:
 2 / 2

4