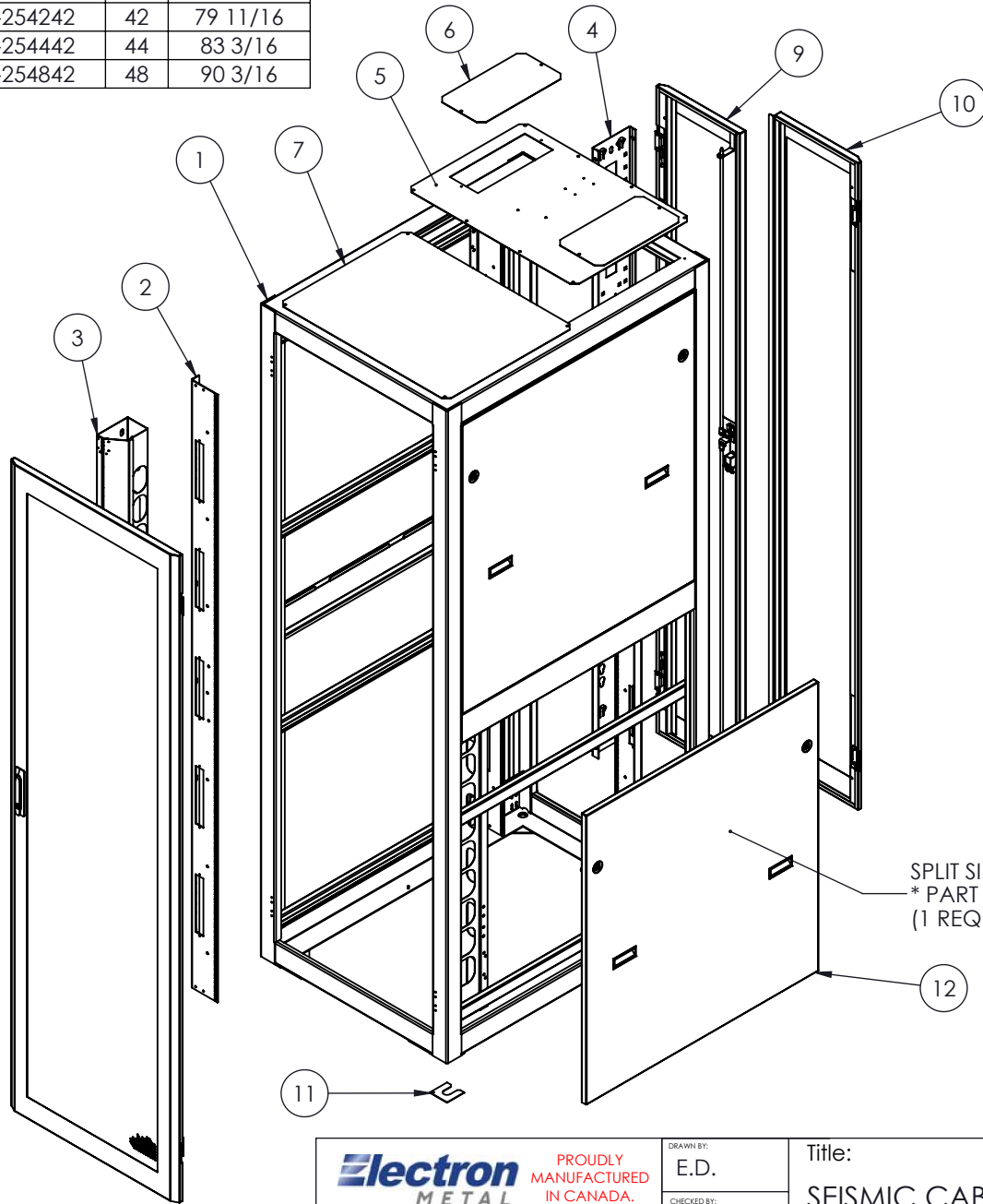


PART NO.	RU	HEIGHT
CBZKI4-254242	42	79 11/16
CBZKI4-254442	44	83 3/16
CBZKI4-254842	48	90 3/16



NO.	DESCRIPTION	QTY
1	SEISMIC FRAME V4 - 30"W x 42"D	1
2	MOUNTING RAIL CAGE-NUT 4.25" FOR BRUSH	4
3	VERTICAL CABLE MGT 3.25 x 5	2
4	UAC / VCM 48RU 1 x 6	1
5	TOP COVER FOR BRUSH	1
6	TOP FRONT COVER PLATE	2
7	TOP FRONT COVER SEISMIQUE V4	1
8	PERFORATED DOOR	1
9	SPLIT DOOR PERFORATED RH	1
10	SPLIT DOOR PERFORATED L.H.	1
11	SHIM	8
12	HALF SPLIT SIDE PANEL 42"D - OPTIONAL	2

NOTES:

- 1 - CERTIFIED TO BELLCORE GR-63-CORE
- 2 - FINISH: TEXTURED POWEDER COAT
- 3 - CABINET MUST BE ANCHORED USING 4 SEISMIC RATED ANCHORS (NOT INCLUDED).
- 4 - FRAME MAT'L: 11 GA. (.120") COLD ROLLED STEEL

SPLIT SIDE PANEL OPTIONAL
 * PART NO.: SPZSLK-00 **RU** 42
 (1 REQUIRED PER SIDE)

* SUBSTITUTE **RU** WITH ACTUAL NUMBER OF RACKUNITS.
 EX.: SPZSLK-00**44**42-BK

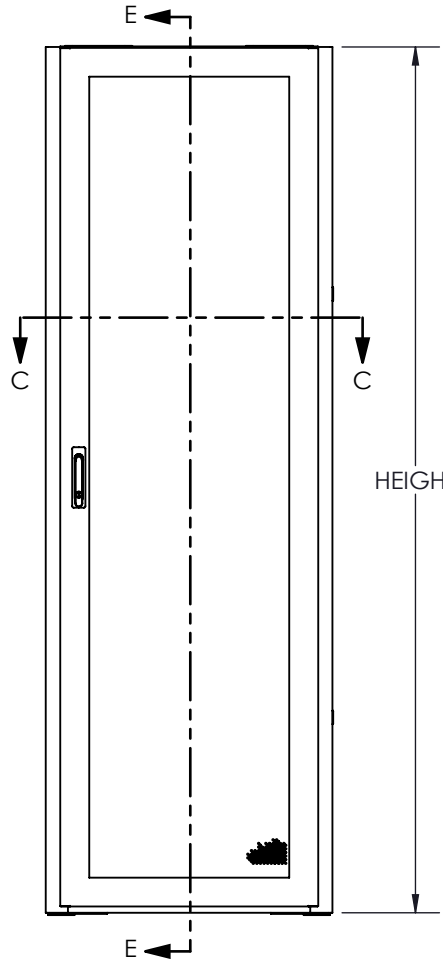


PROPRIETARY AND CONFIDENTIAL
 THE INFORMATION CONTAINED IN THIS DRAWING IS THE SOLE PROPERTY OF A.I.G. ELECTRON METAL INC. ANY REPRODUCTION IN PART OR AS A WHOLE WITHOUT THE WRITTEN PERMISSION OF A.I.G. ELECTRON METAL INC IS PROHIBITED.

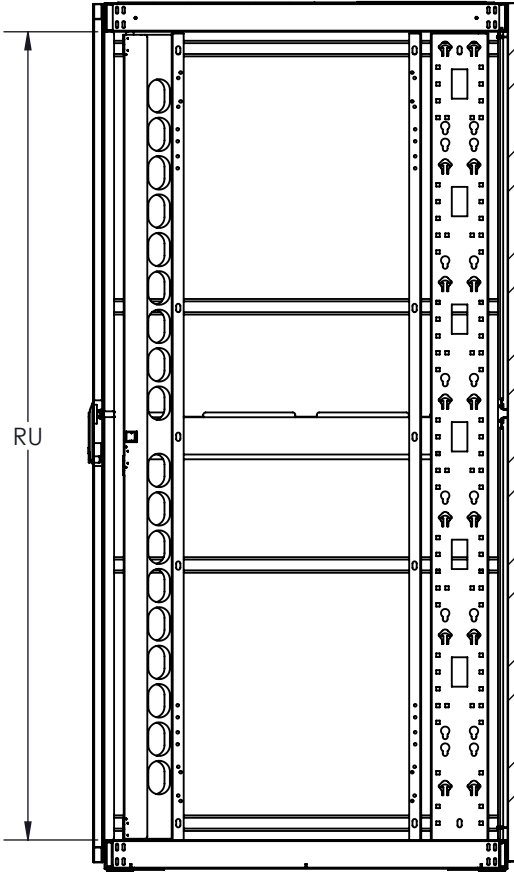
APPROVED BY:
 T.M.

DRAWN BY: E.D.	Title: SEISMIC CABINET V4 - NETWORK CFG - 30"W x 42"D				
CHECKED BY: E.D.					
PROJECT: G:\SWDwgs\Cabinets\Zone_4_Etroit\EnsemblesReseau\	FILE: CabZ4_25xRUx42_2747-001_Eng				
PART NO.: SEE TABLE	DRAWING NO.: 2747-001	REV.: -	SCALE: 1:20	DATE: 2019-01-29	SHEET: 1 / 2

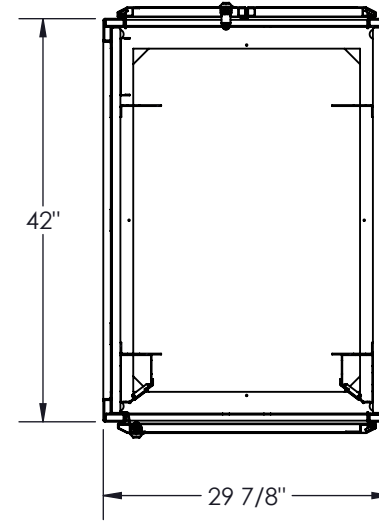
PART NO.	RU	HEIGHT
CBZKI4-254242	42	79 11/16
CBZKI4-254442	44	83 3/16
CBZKI4-254842	48	90 3/16



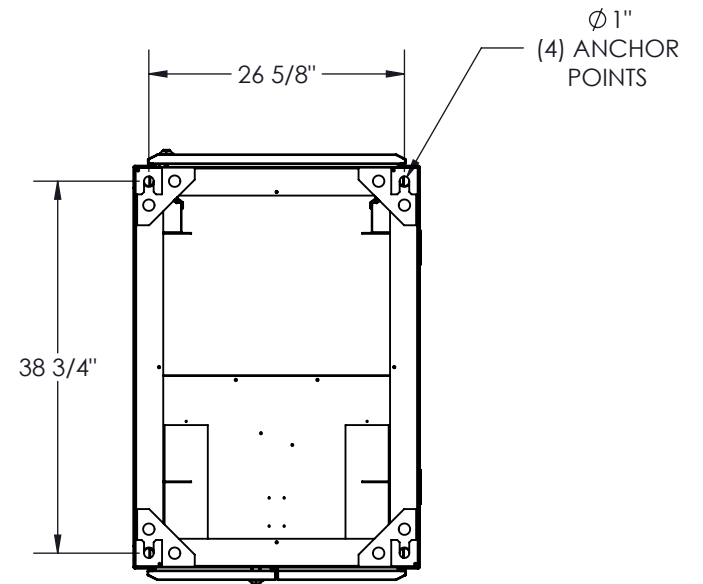
HEIGHT



SECTION E-E



SECTION C-C



BOTTOM VIEW

Electron METAL PROUDLY MANUFACTURED IN CANADA.

PROPRIETARY AND CONFIDENTIAL
THE INFORMATION CONTAINED IN THIS DRAWING IS THE SOLE PROPERTY OF A.I.G. ELECTRON METAL INC. ANY REPRODUCTION IN PART OR AS A WHOLE WITHOUT THE WRITTEN PERMISSION OF A.I.G. ELECTRON METAL INC IS PROHIBITED.

APPROVED BY:
T.M.

DRAWN BY:
E.D.

CHECKED BY:
E.D.

PROJECT:
G:\SWDwgs\Cabinets\Zone_4_Etroit\EnsemblesReseau\

PART NO.:
SEE TABLE

Title:

SEISMIC CABINET V4 - NETWORK CFG - 30"W x 42"D

FILE:
CabZ4_25xRUx42_2747-001_Eng

DRAWING NO.:
2747-001

REV.:
-

SCALE:
1:20

DATE:
2019-01-29

SHEET:
2 / 2