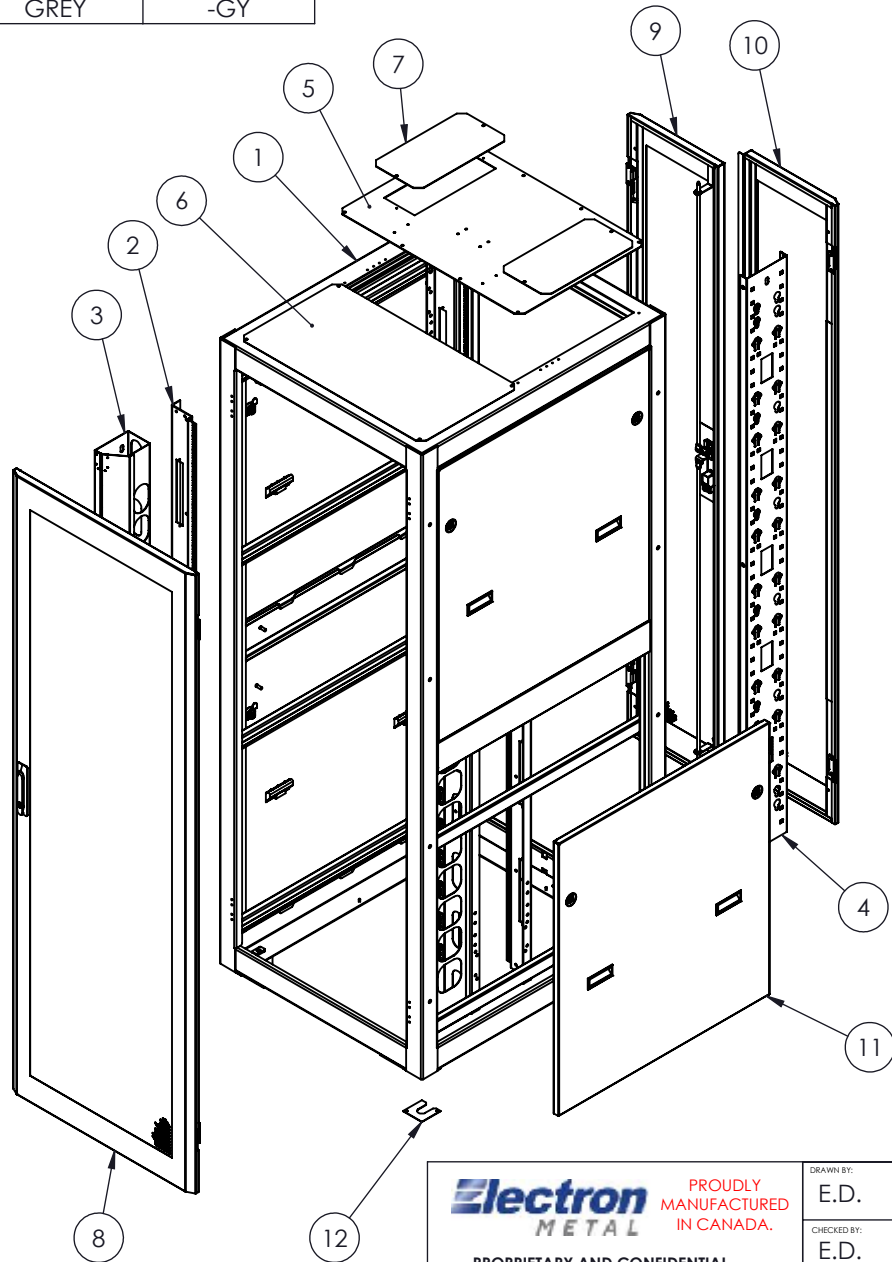


COLOUR	PT# SUFFIX
BLACK	-BK
WHITE	-WH
GREY	-GY



NO.	DWG/ SUPPLIER	CFG/ SUPPLIER NO.	DESCRIPTION	QTY
1	1930-028	Default	SEISMIC FRAME V4 - 42RU - 30 x 79.5 x 36	1
2	2284-004	(73.5")	REINFORCED MTG RAIL CAGE-NUT 4.25" FOR BRUSH	4
3	1305025833	Default	CABLE MGT 3.25 x (73.5) x 5	2
4	2413-001	Default	VERTICAL CABLE MGT / U.A.C. (73.5) x 6	1
5	1741-001	(27)	TOP COVER FOR BRUSH	1
6	2531-001	(25) x 36	TOP FRONT COVER SEISMIQUE V4	1
7	1305038320	Default	TOP FRONT COVER PLATE	2
8	2647-008	Default	PERFORATED DOOR (25 x 73.5)	1
9	1967-012	Default	SPLIT DOOR PERF. RH (25 x 73.5)	1
10	1967-011	Default	SPLIT DOOR PERF. L.H. (25 x 73.5)	1
11	2532-012	Default	HALF SPLIT SIDE PANEL (73.5) x 36	4
12	2629-001	Default	LEVELLING SHIM	8

NOTES:

- 1 - CERTIFIED TO:
  - BELLCORE GR-63-CORE, 4.4.1-2
  - CSA 22.2 NO. 70950-1
- 2 - APPROX. WEIGHT: 419 LBS
- 3 - SEISMIC CAPACITY: 795 LBS
- 4 - STATIC CAPACITY: 3000 LBS
- 5 - FINISH: TEXTURED POWDER COAT
- 6 - CABINET MUST BE ANCHORED USING 4 SEISMIC RATED ANCHORS (NOT INCLUDED).
- 7 - FRAME MAT'L: 11 GA. (.120") COLD ROLLED STEEL
- 8 - ALSO INCLUDED (NOT SHOWN):
  - 100 HEAVY DUTY CAGE-NUTS 10-32
  - 100 TRUSS HEAD SCREWS 10-32 x 5/8 BLACK

APPROVED BY:  
T.M.

**Electron** PROUDLY  
METAL MANUFACTURED  
IN CANADA.

PROPRIETARY AND CONFIDENTIAL  
THE INFORMATION CONTAINED IN THIS  
DRAWING IS THE SOLE PROPERTY OF  
ELECTRON METAL A.I.G. INC. ANY  
REPRODUCTION IN PART OR AS A WHOLE  
WITHOUT THE WRITTEN PERMISSION OF  
A.I.G. ELECTRON METAL INC IS PROHIBITED.

DRAWN BY:  
E.D.

CHECKED BY:  
E.D.

FILE:  
CabZ4\_25x73x36\_2747-010\_Eng

PART NO.:  
CBZK14-254236

Title:  
SEISMIQUE CABINET V4 - 42RU 30 x 79.5 x 36

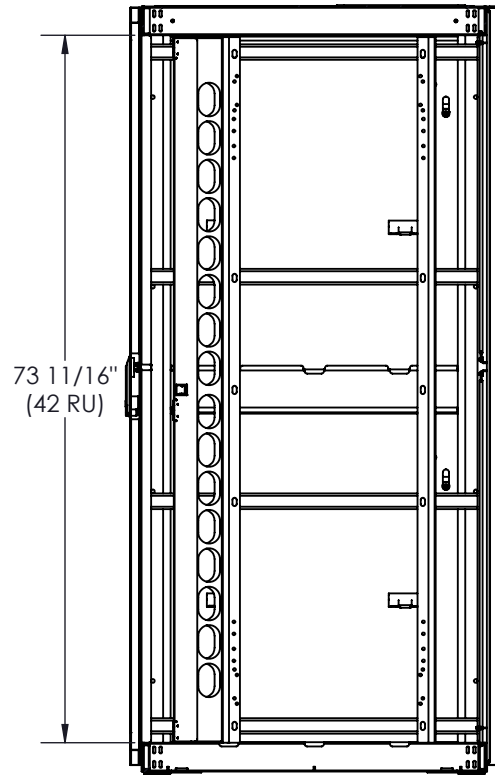
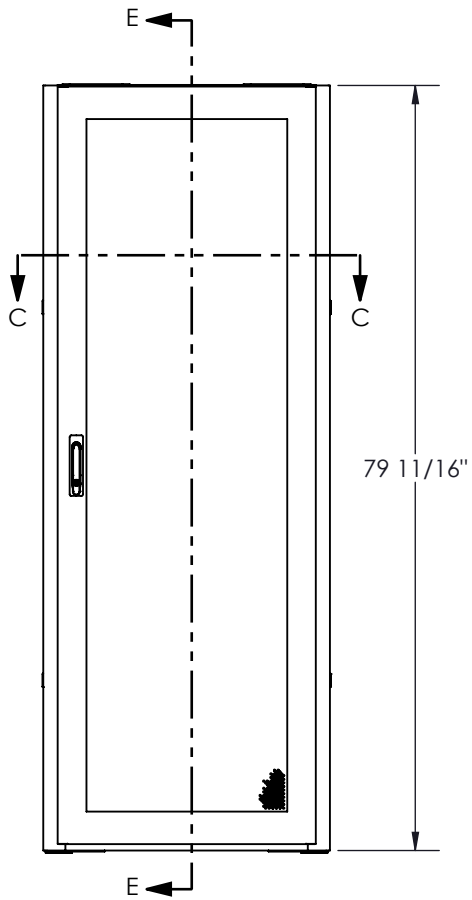
DRAWING NO.:  
2747-010

REV.:  
A

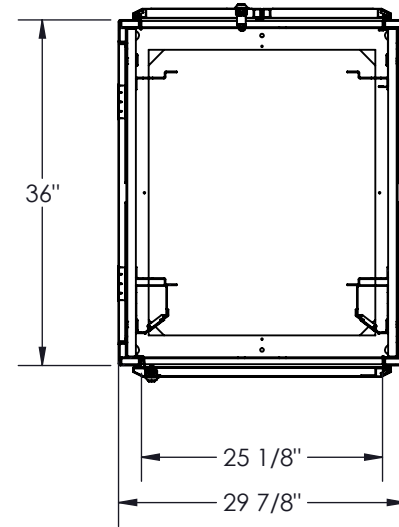
SCALE:  
1:20

DATE:  
2022-06-27

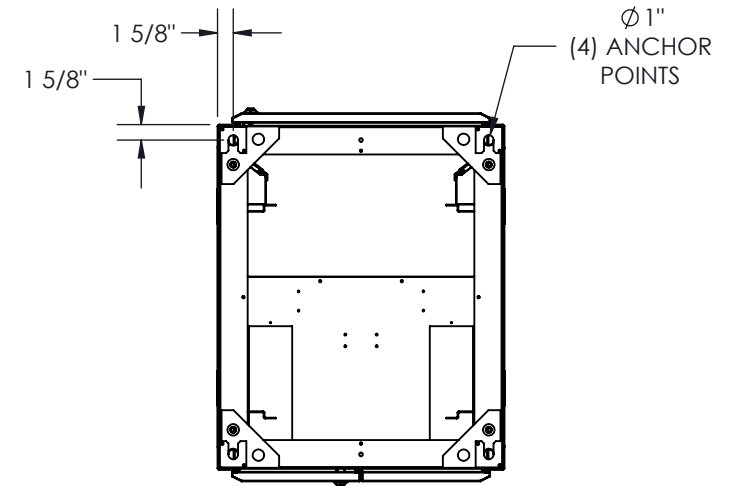
SHEET:  
1 / 2



SECTION E-E



SECTION C-C



BOTTOM VIEW

**Electron METAL** PROUDLY MANUFACTURED IN CANADA.

PROPRIETARY AND CONFIDENTIAL  
THE INFORMATION CONTAINED IN THIS DRAWING IS THE SOLE PROPERTY OF ELECTRON METAL A.I.G. INC. ANY REPRODUCTION IN PART OR AS A WHOLE WITHOUT THE WRITTEN PERMISSION OF A.I.G. ELECTRON METAL INC IS PROHIBITED.

APPROVED BY:  
T.M.

DRAWN BY:  
E.D.

CHECKED BY:  
E.D.

FILE:  
CabZ4\_25x73x36\_2747-010\_Eng

PART NO.:  
CBZKI4-254236

Title:  
SEISMIQUE CABINET V4 - 42RU 30 x 79.5 x 36

DRAWING NO.:  
2747-010

REV.:  
A

SCALE:  
1:20

DATE:  
2022-06-27

SHEET:  
2 / 2