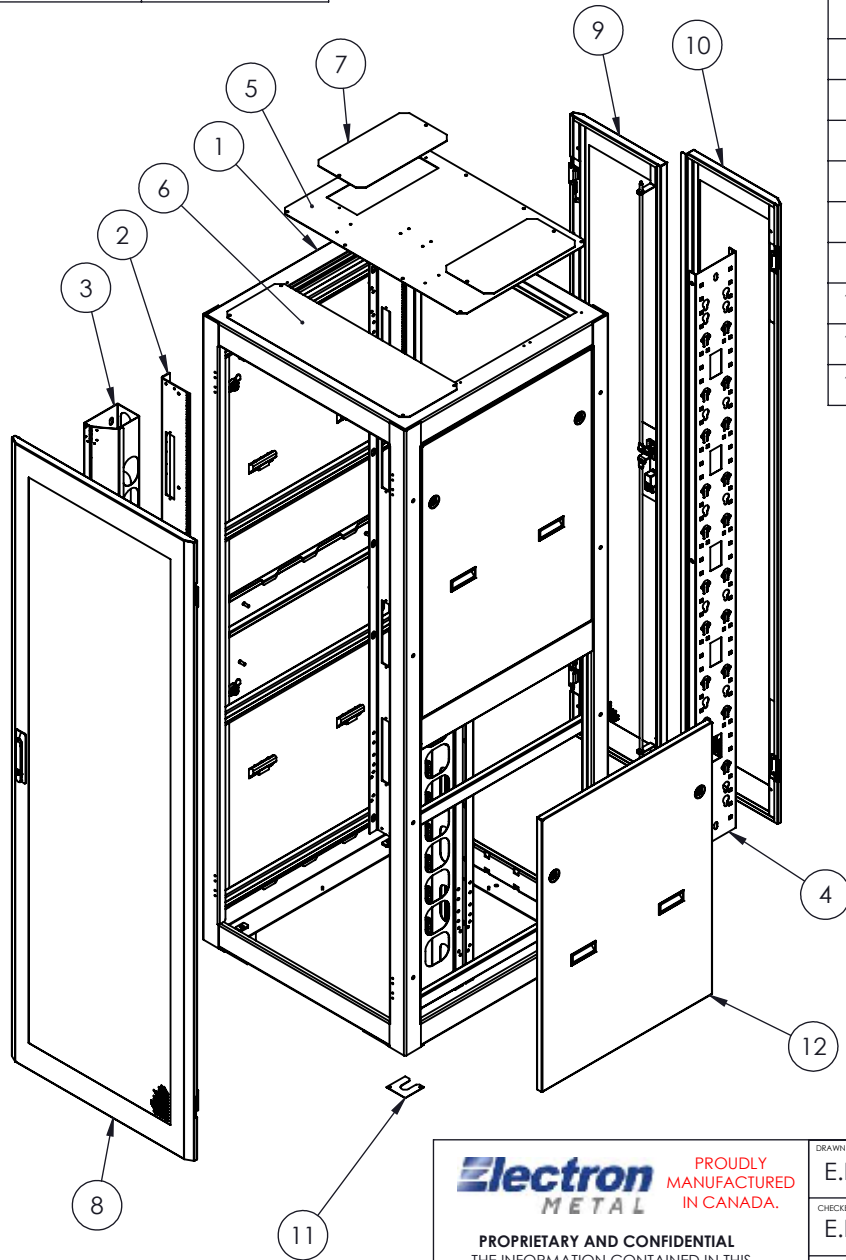


COLOUR	PT# SUFFIX
BLACK	-BK
WHITE	-WH
GREY	-GY

NO.	DWG/SUPPLIER	CFG/SUPPLIER NO.	DESCRIPTION	QTY
1	1930-026	Default	SEISMIC FRAME V4 - 42RU - 30 x 79.5 x 30	1
2	2086-001	(73.5")	MOUNTING RAIL CAGE-NUT 4.25" FOR BRUSH	4
3	1305025833	Default	CABLE MGT 3.25 x (73.5) x 5	2
4	2413-001	Default	VERTICAL CABLE MGT / U.A.C. (73.5) x 6	1
5	1741-001	(27)	TOP COVER FOR BRUSH	1
6	2531-001	(25) x 30	TOP FRONT COVER SEISMIQUE V4	1
7	1305038320	Default	TOP FRONT COVER PLATE	2
8	2647-008	Default	PERFORATED DOOR (25 x 73.5)	1
9	1967-012	Default	SPLIT DOOR PERF. RH (25 x 73.5)	1
10	1967-011	Default	SPLIT DOOR PERF. L.H. (25 x 73.5)	1
11	2629-001	Default	LEVELLING SHIM	8
12	2532-007	Default	HALF SPLIT SIDE PANEL 30"D	4



NOTES:

- 1 - CERTIFIED TO:
 - BELLCORE GR-63-CORE, 4.4.1-2
 - CSA 22.2 NO. 70950-1
- 2 - APPROX. WEIGHT: 393 LBS
- 3 - SEISMIC CAPACITY: 821 LBS
- 4 - STATIC CAPACITY: 3000 LBS
- 5 - FINISH: TEXTURED POWDER COAT
- 6 - CABINET MUST BE ANCHORED USING 4 SEISMIC RATED ANCHORS (NOT INCLUDED).
- 7 - FRAME MAT'L: 11 GA. (.120") COLD ROLLED STEEL
- 8 - ALSO INCLUDED (NOT SHOWN):
 - 100 HEAVY DUTY CAGE-NUTS 10-32
 - 100 TRUSS HEAD SCREWS 10-32 x 5/8 BLACK

APPROVED BY:
T.M.

Electron PROUDLY MANUFACTURED IN CANADA.
METAL

PROPRIETARY AND CONFIDENTIAL
THE INFORMATION CONTAINED IN THIS DRAWING IS THE SOLE PROPERTY OF ELECTRON METAL A.I.G. INC. ANY REPRODUCTION IN PART OR AS A WHOLE WITHOUT THE WRITTEN PERMISSION OF A.I.G. ELECTRON METAL INC IS PROHIBITED.

DRAWN BY:
E.D.
CHECKED BY:
E.D.

Title:
SEISMIQUE CABINET V4 - 42RU 30 x 79.5 x 30

FILE:
CabZ4_25x73x30_2747-008_Eng

PART NO.:
CBZKI4-254230

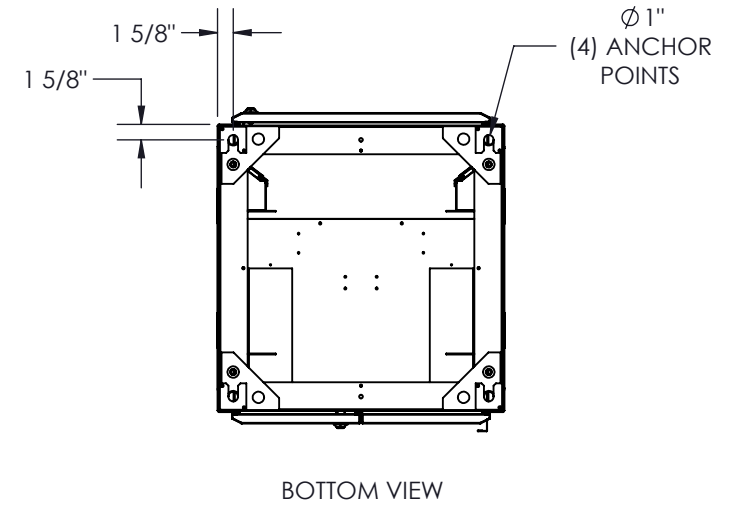
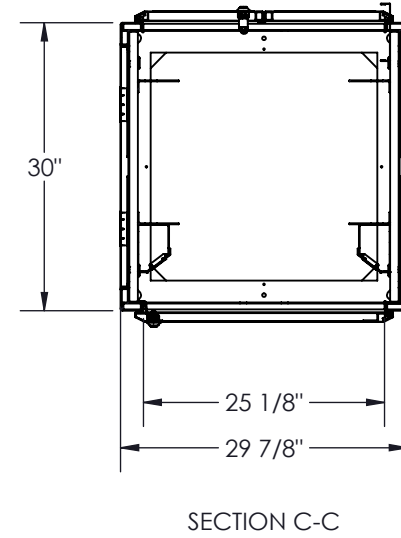
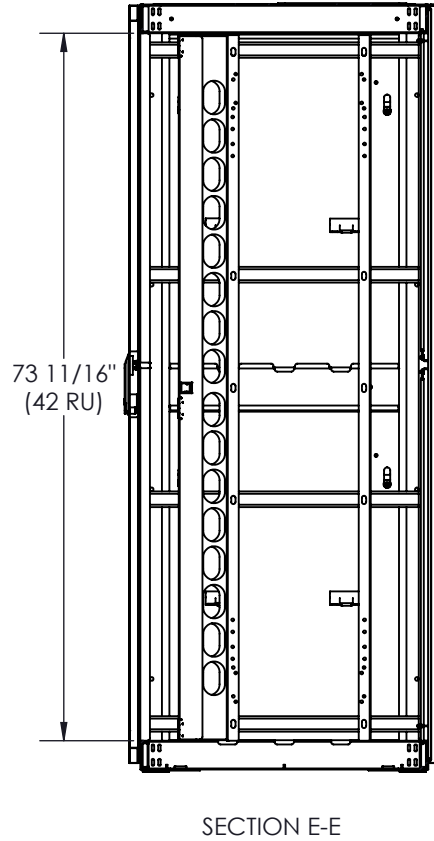
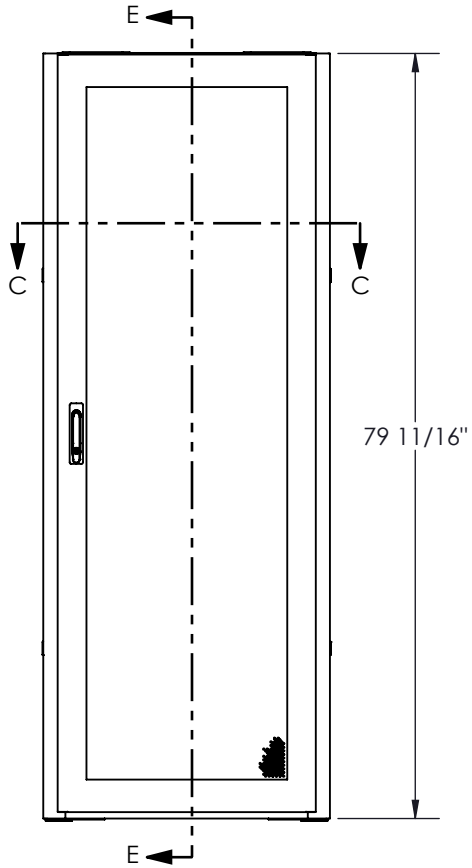
DRAWING NO.:
2747-008

REV.:

SCALE:
1:20

DATE:
2022-06-23

SHEET:
1 / 2



Electron METAL PROUDLY MANUFACTURED IN CANADA.

PROPRIETARY AND CONFIDENTIAL
 THE INFORMATION CONTAINED IN THIS DRAWING IS THE SOLE PROPERTY OF ELECTRON METAL A.I.G. INC. ANY REPRODUCTION IN PART OR AS A WHOLE WITHOUT THE WRITTEN PERMISSION OF A.I.G. ELECTRON METAL INC IS PROHIBITED.

APPROVED BY:
 T.M.

DRAWN BY:
 E.D.
 CHECKED BY:
 E.D.

Title:
 SEISMIQUE CABINET V4 - 42RU 30 x 79.5 x 30

FILE:
 CabZ4_25x73x30_2747-008_Eng

PART NO.:
 CBZKI4-254230

DRAWING NO.:
 2747-008

REV.:

SCALE:
 1:20

DATE:
 2022-06-23

SHEET:
 2 / 2