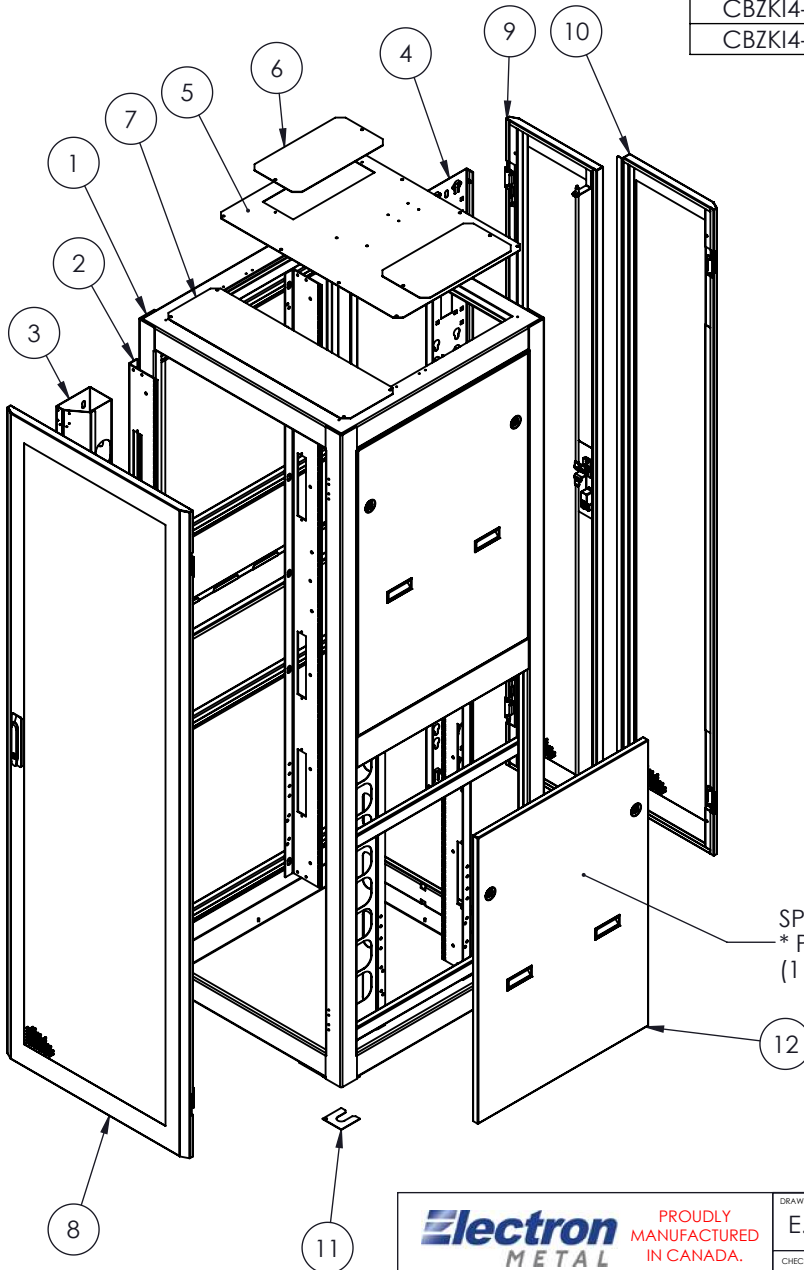


PART NO.	RU	HEIGHT
CBZKI4-254230	42	79 11/16
CBZKI4-254430	44	83 3/16
CBZKI4-254830	48	90 3/16

NO.	DESCRIPTION	QTY
1	SEISMIC FRAME V4 - 30"W x 30"D	1
2	MOUNTING RAIL CAGE-NUT 4.25" FOR BRUSH	4
3	VERTICAL CABLE MGT 3.25 x 5	2
4	VERTICAL CABLE MGT / U.A.C. - 6"	1
5	TOP COVER FOR BRUSH	1
6	TOP FRONT COVER PLATE	2
7	TOP COVER MIDDLE Z4	1
8	PERFORATED DOOR	1
9	SPLIT DOOR PERF. RH	1
10	SPLIT DOOR PERF. L.H.	1
11	SHIM	8
12	HALF SPLIT SIDE PANEL 30"D - OPTIONAL	2



SPLIT SIDE PANEL OPTIONAL
 * PART NO.: SPZSLK-00 **RU** 30
 (1 REQUIRED PER SIDE)

* SUBSTITUTE **RU** WITH ACTUAL NUMBER OF RACKUNITS.
 EX.: SPZSLK-00**44**30-BK

NOTES:

- 1 - CERTIFIED TO BELLCORE GR-63-CORE
- 2 - FINISH: TEXTURED POWEDER COAT
- 3 - CABINET MUST BE ANCHORED USING 4 SEISMIC RATED ANCHORS (NOT INCLUDED).
- 4 - FRAME MAT'L: 11 GA. (.120") COLD ROLLED STEEL

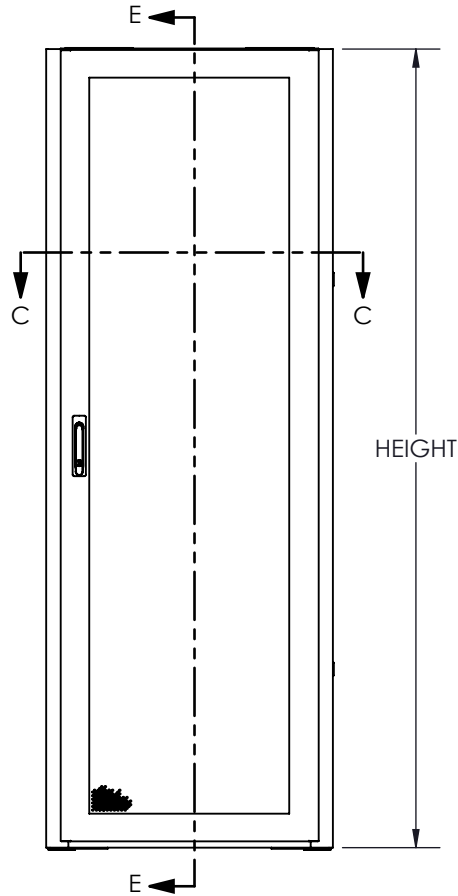


PROPRIETARY AND CONFIDENTIAL
 THE INFORMATION CONTAINED IN THIS DRAWING IS THE SOLE PROPERTY OF A.I.G. ELECTRON METAL INC. ANY REPRODUCTION IN PART OR AS A WHOLE WITHOUT THE WRITTEN PERMISSION OF A.I.G. ELECTRON METAL INC IS PROHIBITED.

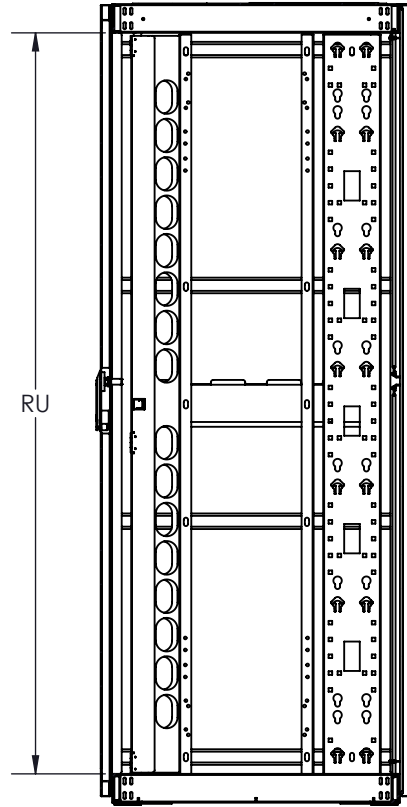
APPROVED BY:
 T.M.

DRAWN BY: E.D.	Title: SEISMIC CABINET V4 - NETWORK CFG - 30"W x 30"D				
CHECKED BY: E.D.					
PROJECT: G:\SWDwgs\Cabinets\Zone_4_Etroit\EnsemblesReseau\	FILE: CabZ4_25xRUx30_2747-003_Eng				
PART NO: SEE TABLE	DRAWING NO: 2747-003	REV.: -	SCALE: 1:20	DATE: 2019-07-10	SHEET: 1 / 2

PART NO.	RU	HEIGHT
CBZKI4-254230	42	79 11/16
CBZKI4-254430	44	83 3/16
CBZKI4-254830	48	90 3/16

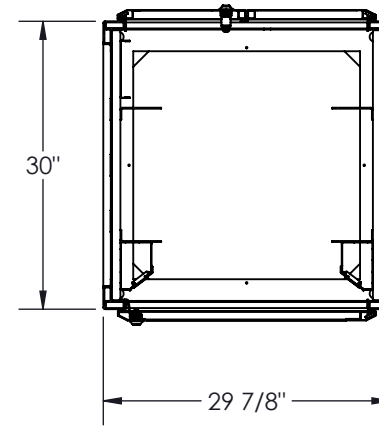


HEIGHT

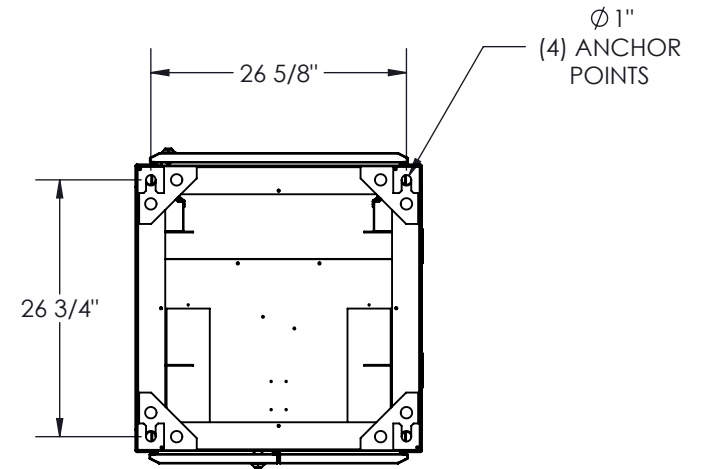


RU

SECTION E-E



SECTION C-C



BOTTOM VIEW

Electron METAL PROUDLY MANUFACTURED IN CANADA.

PROPRIETARY AND CONFIDENTIAL
THE INFORMATION CONTAINED IN THIS DRAWING IS THE SOLE PROPERTY OF A.I.G. ELECTRON METAL INC. ANY REPRODUCTION IN PART OR AS A WHOLE WITHOUT THE WRITTEN PERMISSION OF A.I.G. ELECTRON METAL INC IS PROHIBITED.

APPROVED BY:
T.M.

DRAWN BY:
E.D.

CHECKED BY:
E.D.

PROJECT:
G:\SWDwgs\Cabinets\Zone_4_Etroit\EnsemblesReseau\

PART NO.:
SEE TABLE

Title:

SEISMIC CABINET V4 - NETWORK CFG - 30"W x 30"D

FILE:
CabZ4_25xRUx30_2747-003_Eng

DRAWING NO.:
2747-003

REV.:
-

SCALE:
1:20

DATE:
2019-07-10

SHEET:
2 / 2