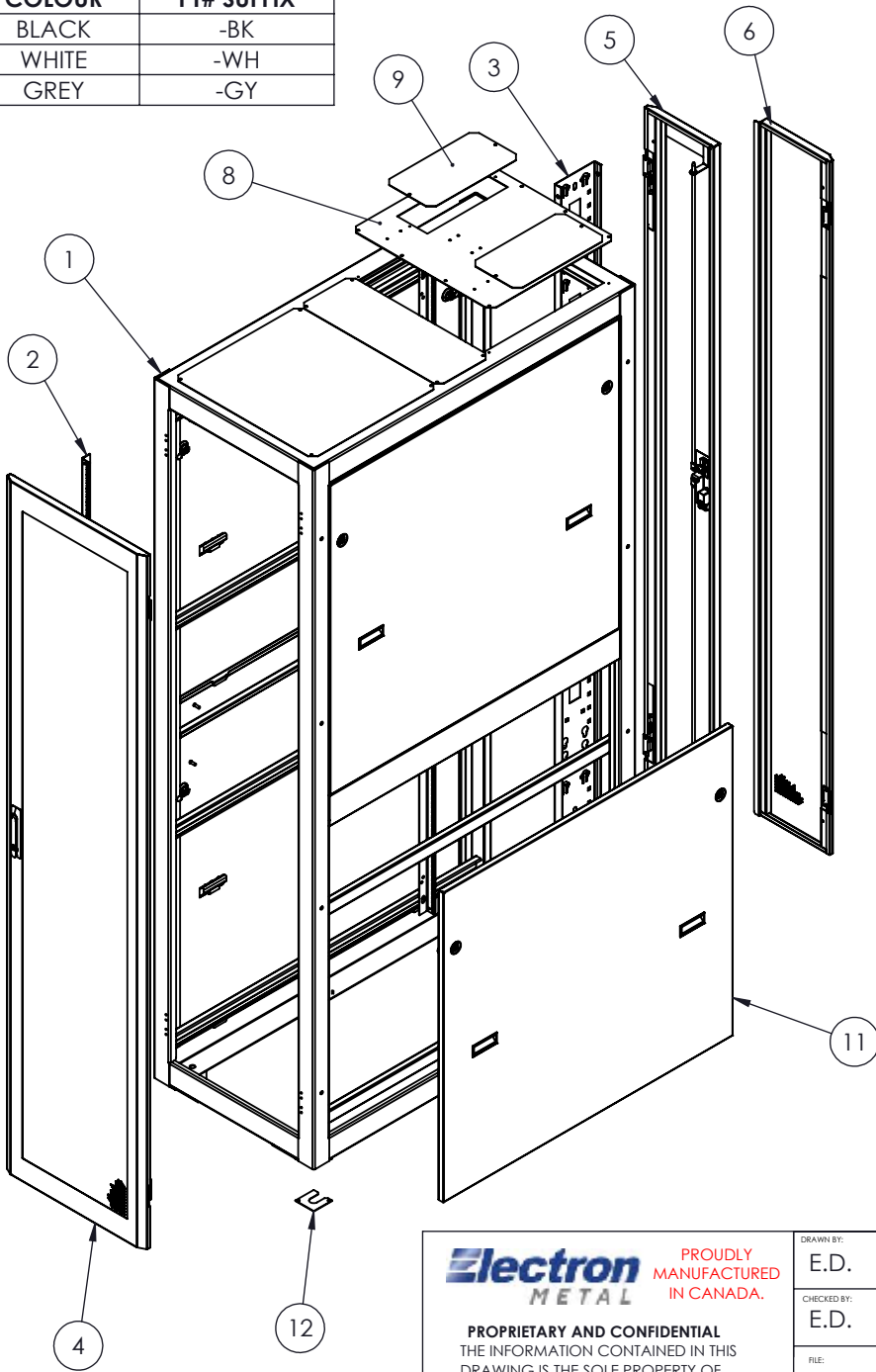


COLOUR	PT# SUFFIX
BLACK	-BK
WHITE	-WH
GREY	-GY



NO.	DWG/ SUPPLIER	CFG/ SUPPLIER NO.	DESCRIPTION	QTY
1	2530-001	Default	SEISMIC FRAME V4 - 48RU - 24 x 90 x 48	1
2	1305021797	(84")	MOUNTING RAIL 1.25" CAGE-NUTS	4
3	2472-002	Default	UAC / VCM 48RU 1 x (84) x 6	1
4	2647-001	Default	PERFORATED DOOR (19 x 84)	1
5	1967-001	Default	SPLIT DOOR PERF. RH (19 x 84)	1
6	1967-002	Default	SPLIT DOOR PERF. L.H. (19 x 84)	1
7	2531-002	(19")	TOP COVER MIDDLE Z4 - 48"D	1
8	1741-001	(21)	TOP COVER FOR BRUSH	1
9	1305038320	Default	TOP FRONT COVER PLATE	2
10	1305028296	(21)	SERIES 4000 SOLID TOP COVER	1
11	2532-004	Default	HALF SPLIT SIDE PANEL (84) x 48 LOCKS	4
12	2629-001	Default	LEVELLING SHIM	8

NOTES:

- 1 - CERTIFIED TO:
  - BELLCORE GR-63-CORE, 4.4.1-2
  - CSA 22.2 NO. 70950-1
- 2 - APPROX. WEIGHT: 444 LB
- 3 - SEISMIC CAPACITY: 770 LB
- 4 - STATIC CAPACITY: 3000 LB
- 5 - FINISH: TEXTURED POWEDER COAT
- 6 - CABINET MUST BE ANCHORED USING 4 SEISMIC RATED ANCHORS (NOT INCLUDED).
- 7 - FRAME MAT'L: 11 GA. (.120") COLD ROLLED STEEL
- 8 - ALSO INCLUDED (NOT SHOWN):
  - 100 HEAVY DUTY CAGE-NUTS 10-32
  - 100 TRUSS HEAD SCREWS 10-32 x 5/8 BLACK

APPROVED BY:  
T.M.

**Electron** PROUDLY  
METAL MANUFACTURED  
IN CANADA.

PROPRIETARY AND CONFIDENTIAL  
THE INFORMATION CONTAINED IN THIS  
DRAWING IS THE SOLE PROPERTY OF  
ELECTRON METAL A.I.G. INC. ANY  
REPRODUCTION IN PART OR AS A WHOLE  
WITHOUT THE WRITTEN PERMISSION OF  
A.I.G. ELECTRON METAL INC IS PROHIBITED.

DRAWN BY:  
E.D.  
CHECKED BY:  
E.D.

Title:  
SEISMIQUE CABINET V4 48RU (19 x 84) x 84  
24 x 90 x 48

FILE:  
CabZ4\_19x84x48\_2529-001\_Eng

PART NO.:  
CBZK14-194848

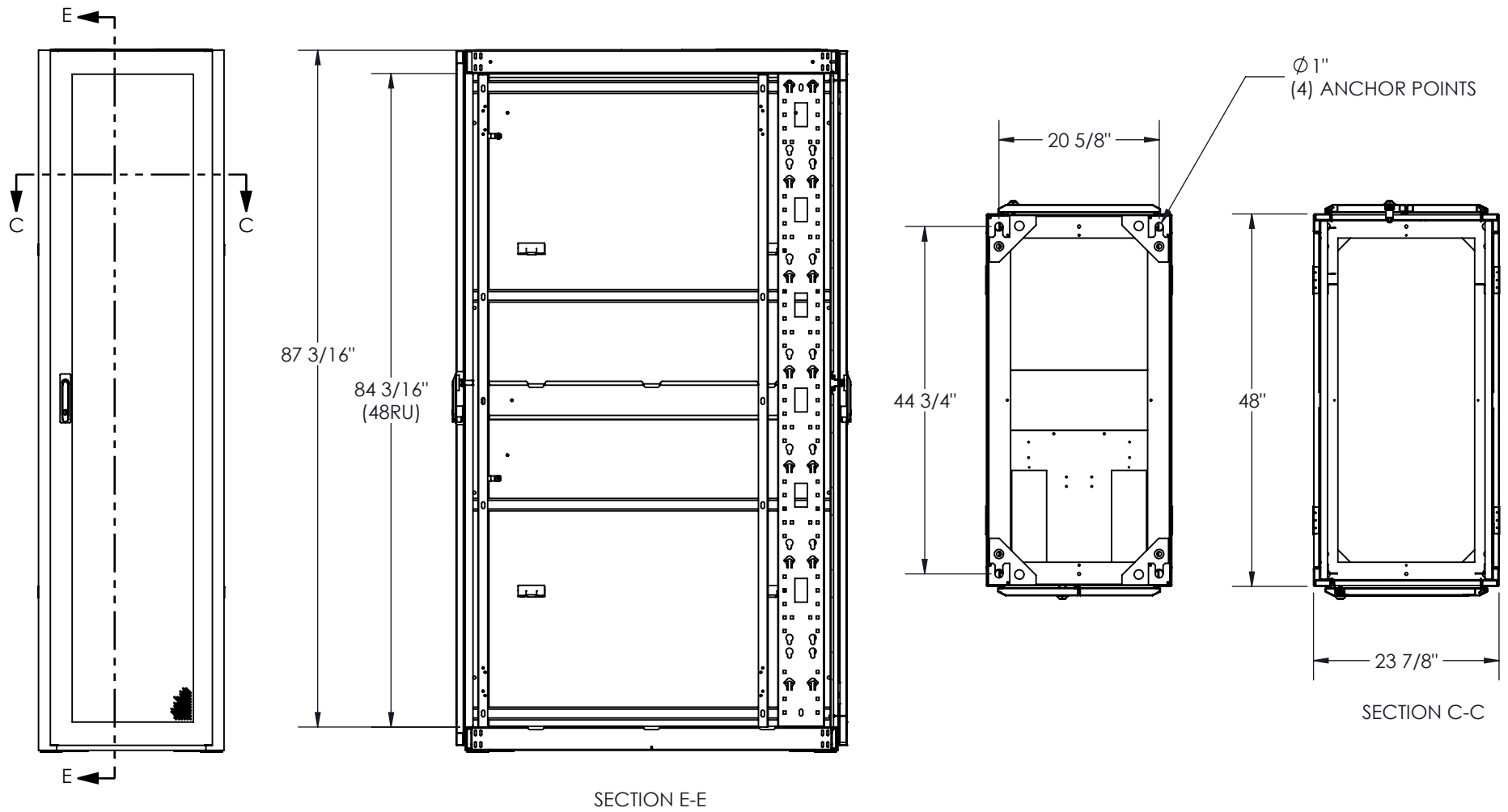
DRAWING NO.:  
2529-001

REV.:  
A

SCALE:  
1:20

DATE:  
2019-01-29

SHEET:  
1 / 2



SECTION E-E

SECTION C-C

**Electron** PROUDLY MANUFACTURED IN CANADA.  
**METAL**

**PROPRIETARY AND CONFIDENTIAL**  
 THE INFORMATION CONTAINED IN THIS DRAWING IS THE SOLE PROPERTY OF ELECTRON METAL A.I.G. INC. ANY REPRODUCTION IN PART OR AS A WHOLE WITHOUT THE WRITTEN PERMISSION OF A.I.G. ELECTRON METAL INC IS PROHIBITED.

DRAWN BY:  
E.D.  
 CHECKED BY:  
E.D.

Title:  
SEISMIQUE CABINET V4 48RU (19 x 84) x 48  
 24 x 90 x 48

FILE:  
CabZ4\_19x84x48\_2529-001\_Eng

PART NO.:  
CBZK14-194848

DRAWING NO.:  
2529-001

REV.:  
A

SCALE:  
1:20

DATE:  
2019-01-29

SHEET:  
2 / 2

APPROVED BY:  
T.M.