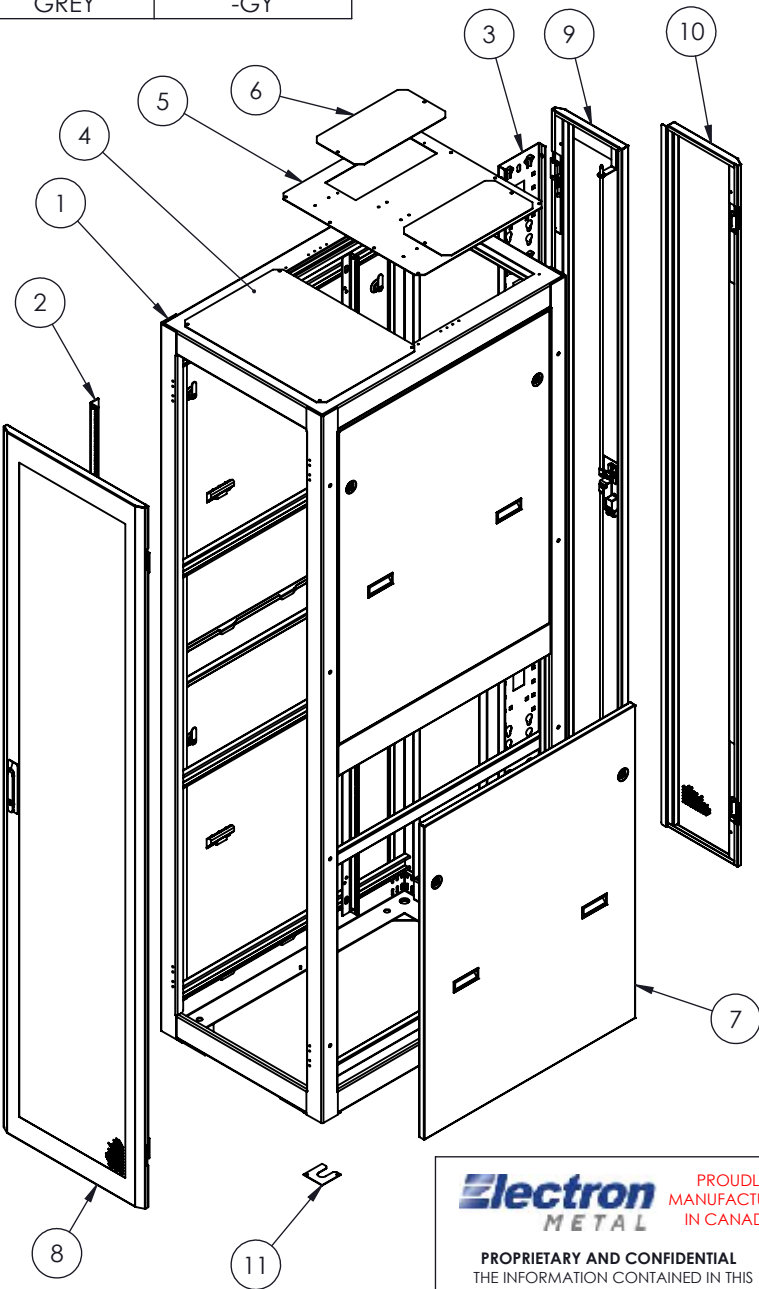


COLOUR	PT# SUFFIX
BLACK	-BK
WHITE	-WH
GREY	-GY



NO.	DWG/SUPPLIER	CFG/SUPPLIER NO.	DESCRIPTION	QTY
1	2530-003	Default	SEISMIC FRAME V4 - 48RU - 24 x 90 x 36	1
2	1305021797	(84")	MOUNTING RAIL 1.25" CAGE-NUTS	4
3	2472-002	Default	UAC / VCM 48RU 1 x (84) x 6	1
4	2531-001	(19) x 36	TOP FRONT COVER SEISMIQUE V4	1
5	1741-001	(21)	TOP COVER FOR BRUSH	1
6	1305038320	Default	TOP FRONT COVER PLATE	2
7	2532-005	Default	HALF SPLIT SIDE PANEL (84) x 36 LOCKS	4
8	2647-001	Default	PERFORATED DOOR (19 x 84)	1
9	1967-001	Default	SPLIT DOOR PERF. RH (19 x 84)	1
10	1967-002	Default	SPLIT DOOR PERF. L.H. (19 x 84)	1
11	2629-001	Default	LEVELLING SHIM	8

NOTES:

- 1 - CERTIFIED TO:
 - BELLCORE GR-63-CORE, 4.4.1-2
 - CSA 22.2 NO. 70950-1
- 2 - APPROX. WEIGHT: 391 LB
- 3 - SEISMIC CAPACITY: 823 LBS
- 4 - STATIC CAPACITY: 3000 LBS
- 5 - FINISH: TEXTURED POWDER COAT
- 6 - CABINET MUST BE ANCHORED USING 4 SEISMIC RATED ANCHORS (NOT INCLUDED).
- 7 - FRAME MAT'L: 11 GA. (.120") COLD ROLLED STEEL
- 8 - ALSO INCLUDES (NOT SHOWN):
 - 100 HEAVY DUTY CAGE-NUTS 10-32
 - 100 TRUSS HEAD SCREWS 10-32 x 5/8 BLACK

APPROVED BY:
T.M.

Electron PROUDLY
METAL MANUFACTURED
IN CANADA.

PROPRIETARY AND CONFIDENTIAL
THE INFORMATION CONTAINED IN THIS
DRAWING IS THE SOLE PROPERTY OF
ELECTRON METAL A.I.G. INC. ANY
REPRODUCTION IN PART OR AS A WHOLE
WITHOUT THE WRITTEN PERMISSION OF
A.I.G. ELECTRON METAL INC IS PROHIBITED.

DRAWN BY:
E.D.

CHECKED BY:
E.D.

FILE:
CabZ4_19x84x36_2529-003_Eng

PART NO.:
CBZK14-194836

Title:
SEISMIQUE CABINET V4 48RU 24 x 90 x 36

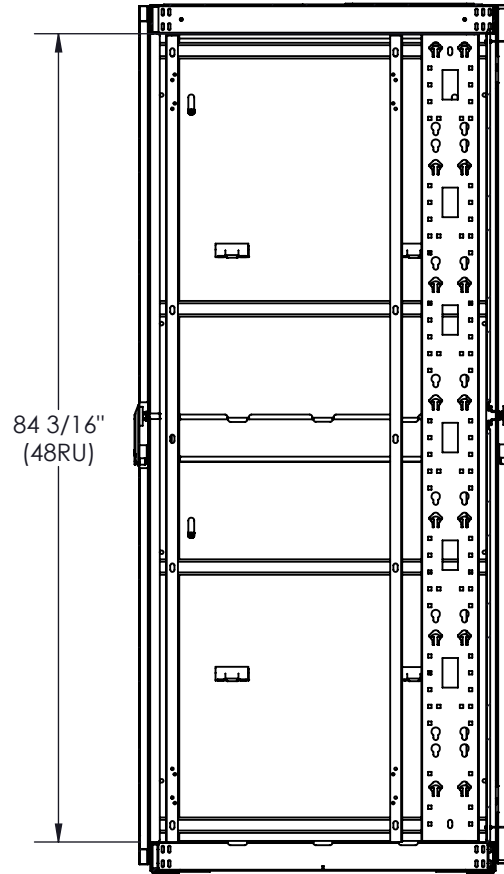
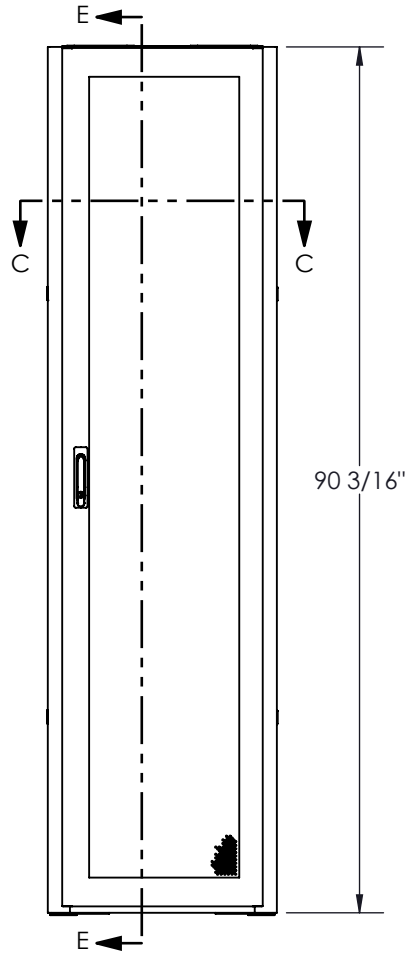
DRAWING NO.:
2529-003

REV.:

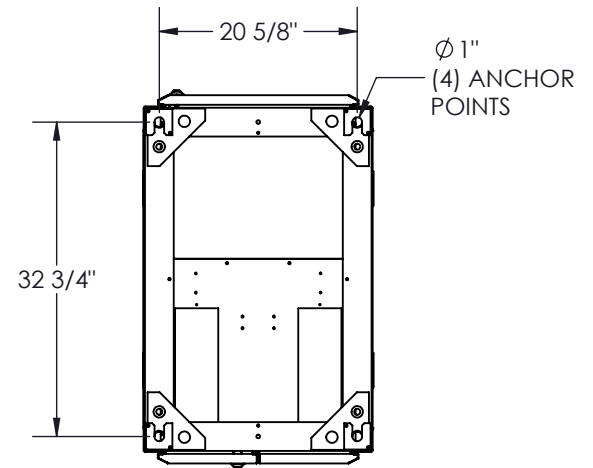
SCALE:
1:20

DATE:
2023-07-18

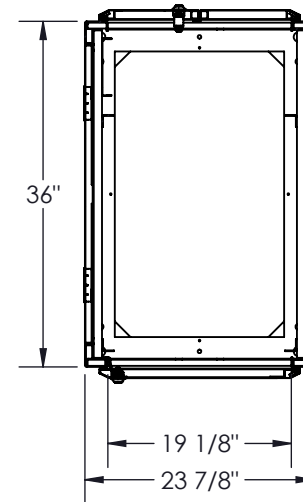
SHEET:
1 / 2



SECTION E-E



BOTTOM VIEW



SECTION C-C

Electron PROUDLY MANUFACTURED IN CANADA.
METAL

PROPRIETARY AND CONFIDENTIAL
 THE INFORMATION CONTAINED IN THIS DRAWING IS THE SOLE PROPERTY OF ELECTRON METAL A.I.G. INC. ANY REPRODUCTION IN PART OR AS A WHOLE WITHOUT THE WRITTEN PERMISSION OF A.I.G. ELECTRON METAL INC IS PROHIBITED.

APPROVED BY:
 T.M.

DRAWN BY:
 E.D.

CHECKED BY:
 E.D.

FILE:
 CabZ4_19x84x36_2529-003_Eng

PART NO.:
 CBZK14-194836

Title:
 SEISMIQUE CABINET V4 48RU 24 x 90 x 36

DRAWING NO.:
 2529-003

REV.:

SCALE:
 1:20

DATE:
 2023-07-18

SHEET:
 2 / 2