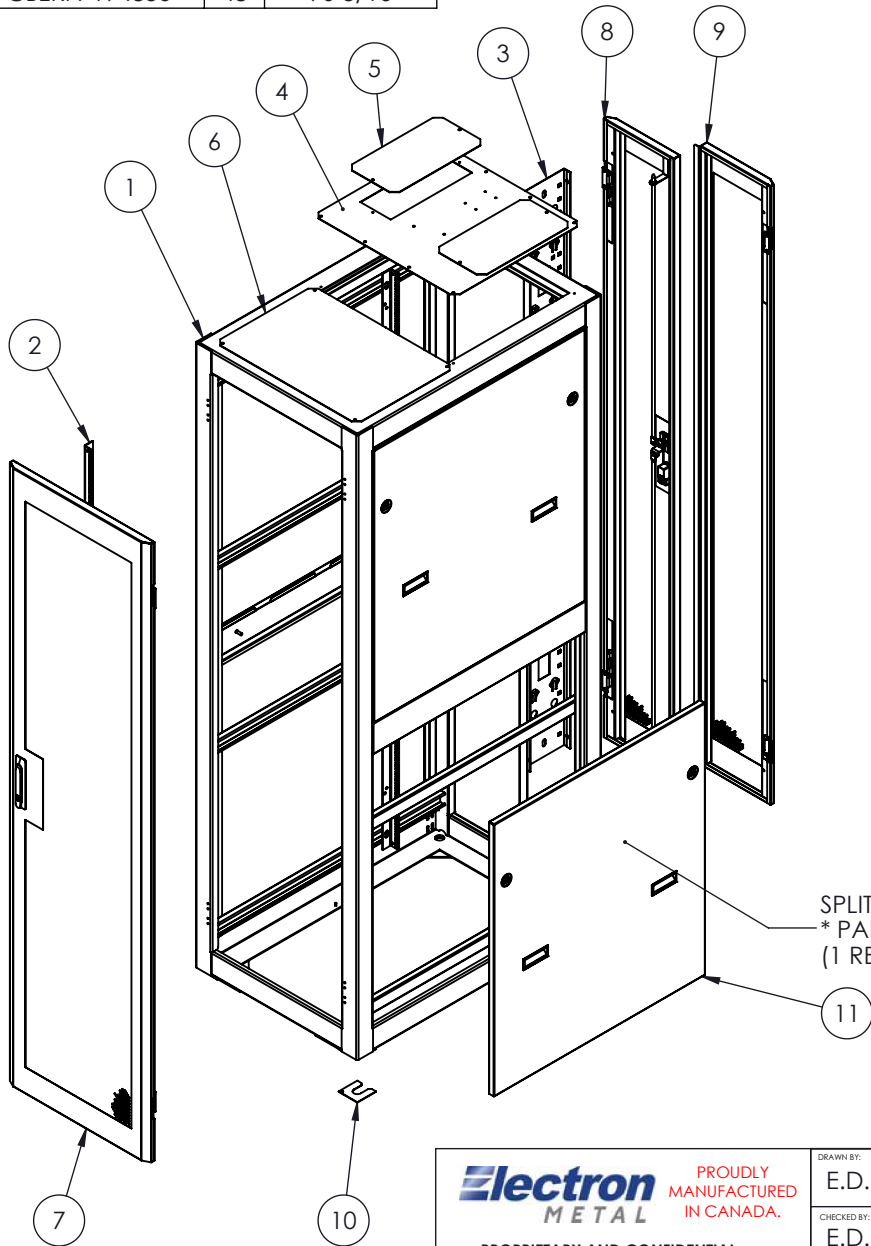


PART NO.	RU	HEIGHT
CBZK14-194236	42	79 11/16
CBZK14-194436	44	83 3/16
CBZK14-194836	48	90 3/16



SPLIT SIDE PANEL OPTIONAL
 * PART NO.: SPZSLK-00 **RU** 36
 (1 REQUIRED PER SIDE)

* SUBSTITUTE **RU** WITH ACTUAL NUMBER OF RACK UNITS.
 EX.: SPZSLK-00**42**36-BK

NO.	DESCRIPTION	QTY
1	SEISMIC FRAME V4 - 24"W x 36"D	1
2	MOUNTING RAIL 1.25" CAGE-NUTS	4
3	VERTICAL CABLE MGT / U.A.C. 6"D	1
4	TOP COVER FOR BRUSH	1
5	TOP FRONT COVER PLATE	2
6	TOP FRONT COVER SEISMIQUE V4	1
7	PERFORATED DOOR	1
8	SPLIT DOOR PERF. RH	1
9	SPLIT DOOR PERF. L.H.	1
10	SHIM	8
11	HALF SPLIT SIDE PANEL - OPTIONAL	2

NOTES:

- 1 - CERTIFIED TO BELLCORE GR-63-CORE
- 2 - FINISH: TEXTURED POWEDER COAT
- 3 - CABINET MUST BE ANCHORED USING
 4 SEISMIC RATED ANCHORS (NOT INCLUDED).
- 4 - FRAME MAT'L: 11 GA. (.120") COLD ROLLED STEEL

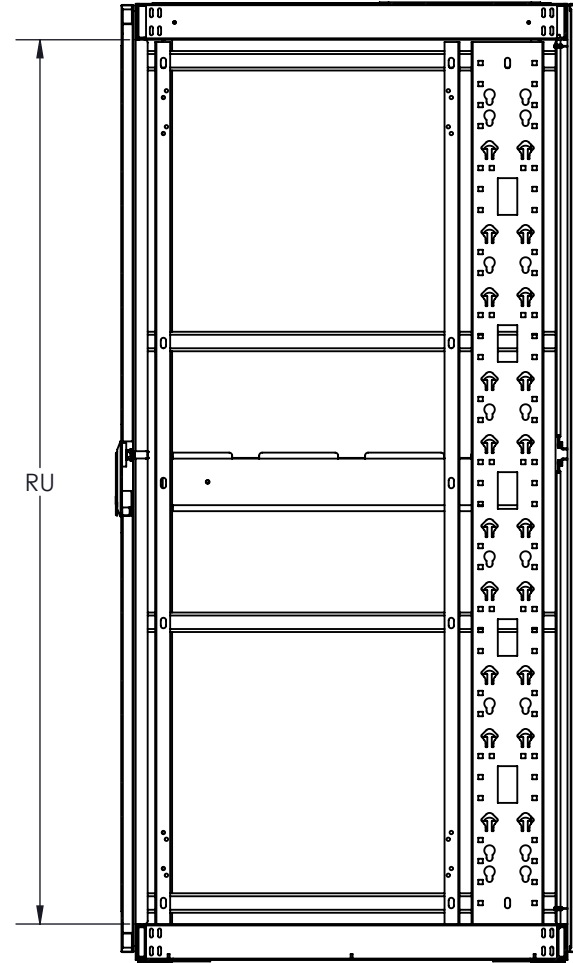
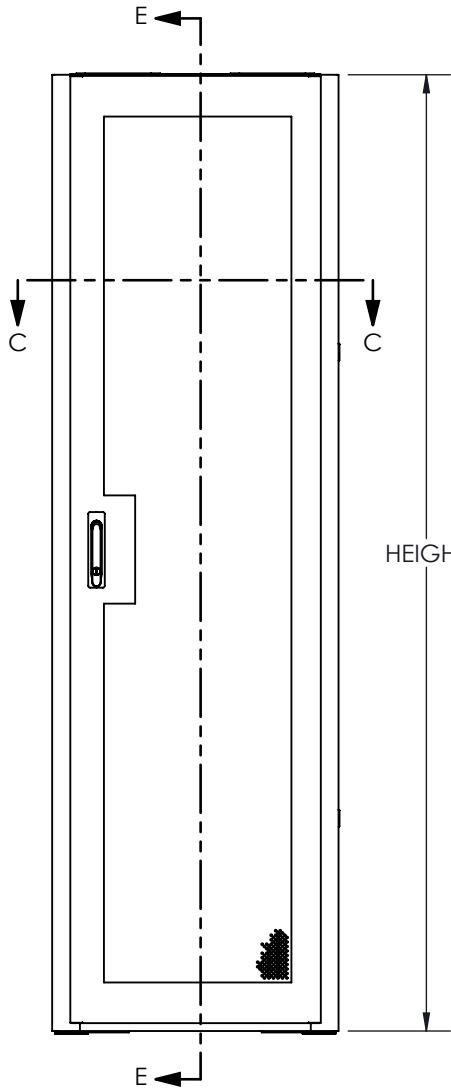


PROPRIETARY AND CONFIDENTIAL
 THE INFORMATION CONTAINED IN THIS
 DRAWING IS THE SOLE PROPERTY OF
 A.I.G. ELECTRON METAL INC. ANY
 REPRODUCTION IN PART OR AS A WHOLE
 WITHOUT THE WRITTEN PERMISSION OF
 A.I.G. ELECTRON METAL INC IS PROHIBITED.

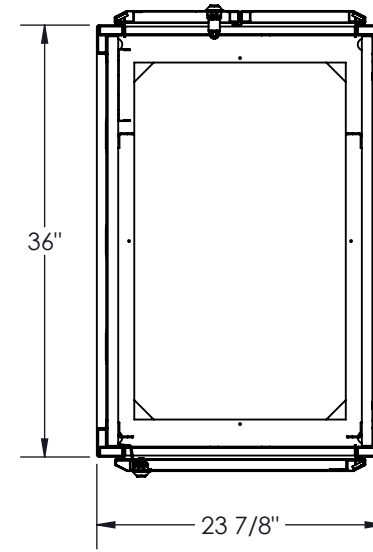
APPROVED BY:
 T.M.

DRAWN BY: E.D.	Title: SEISMIC CABINET V4 - SERVER CFG - 24"W X 36"D				
CHECKED BY: E.D.					
PROJECT: G:\SWDwgs\Cabinets\Zone_4_Etroit\EnsemblesServeur\	FILE: CabZ4_19xRUx36_2529-007_Eng				
PART NO.: SEE TABLE	DRAWING NO.: 2529-007	REV.: -	SCALE: 1:20	DATE: 2019-07-10	SHEET: 1 / 2

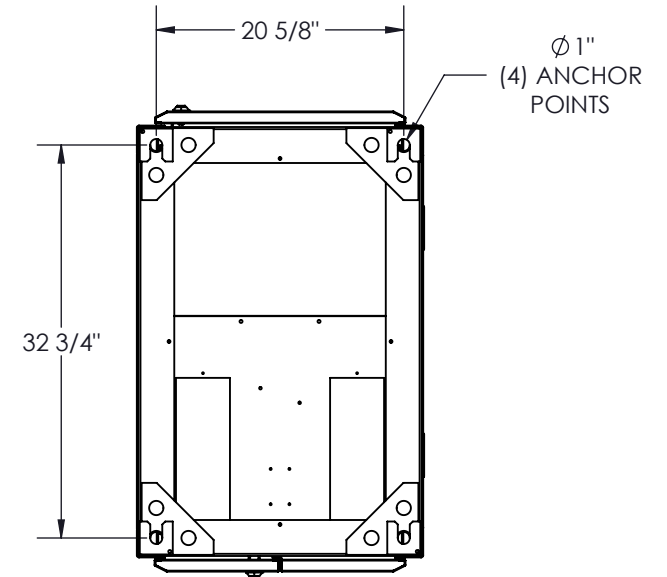
PART NO.	RU	HEIGHT
CBZKI4-194236	42	79 11/16
CBZKI4-194436	44	83 3/16
CBZKI4-194836	48	90 3/16



SECTION E-E



SECTION C-C



BOTTOM VIEW

Electron METAL PROUDLY MANUFACTURED IN CANADA.

PROPRIETARY AND CONFIDENTIAL
 THE INFORMATION CONTAINED IN THIS DRAWING IS THE SOLE PROPERTY OF A.I.G. ELECTRON METAL INC. ANY REPRODUCTION IN PART OR AS A WHOLE WITHOUT THE WRITTEN PERMISSION OF A.I.G. ELECTRON METAL INC IS PROHIBITED.

APPROVED BY:
 T.M.

DRAWN BY:
 E.D.

CHECKED BY:
 E.D.

PROJECT:
 G:\SWDwgs\Cabinets\Zone_4_Etroit\EnsemblesServeur\

PART NO:
 SEE TABLE

Title:

SEISMIC CABINET V4 - SERVER CFG - 24"W x 36"D

DRAWING NO.:
 2529-007

FILE:
 CabZ4_19xRUx36_2529-007_Eng

REV.:	SCALE:	DATE:	SHEET:
-	1:16	2019-07-10	2 / 2