

SPLIT SIDE PANEL OPTIONAL  
 \* PART NO.: SPZSLK-00**RU**30  
 (1 REQUIRED PER SIDE)

\* SUBSTITUTE **RU** WITH ACTUAL NUMBER OF RACK UNITS.  
 EX.: SPZSLK-00**42**30-BK

NO.	DESCRIPTION	QTY
1	SEISMIC FRAME V4 - 24"W x 30"D	1
2	MOUNTING RAIL 1.25" CAGE-NUTS	4
3	VERTICAL CABLE MGT / U.A.C. 6"	1
4	TOP COVER FOR BRUSH	1
5	TOP FRONT COVER PLATE	2
6	TOP COVER MIDDLE Z4	1
7	PERFORATED DOOR	1
8	SPLIT DOOR PERFORATED RH	1
9	SPLIT DOOR PERF. L.H.	1
10	SHIM	8
11	HALF SPLIT SIDE PANEL 30"D - <b>OPTIONAL</b>	2

NOTES:

- 1 - CERTIFIED TO BELLCORE GR-63-CORE
- 2 - FINISH: TEXTURED POWDER COAT
- 34 - CABINET MUST BE ANCHORED USING 4 SEISMIC RATED ANCHORS (NOT INCLUDED).
- 4 - FRAME MAT'L: 11 GA. (.120") COLD ROLLED STEEL

APPROVED BY:  
 T.M.



**PROPRIETARY AND CONFIDENTIAL**  
 THE INFORMATION CONTAINED IN THIS DRAWING IS THE SOLE PROPERTY OF A.I.G. ELECTRON METAL INC. ANY REPRODUCTION IN PART OR AS A WHOLE WITHOUT THE WRITTEN PERMISSION OF A.I.G. ELECTRON METAL INC IS PROHIBITED.

DRAWN BY:  
 E.D.  
 CHECKED BY:  
 E.D.

Title:  
 SEISMIC CABINET V4 SERVER CFG - 24"W x 30"D

PROJECT:  
 G:\SWDwgs\Cabinets\Zone\_4\_Etroit\EnsemblesServeur\

FILE:  
 CabZ4\_19xRUx30\_2529-005\_Eng

PART NO.:  
 SEE PAGE 2/2

DRAWING NO.:  
 2529-005

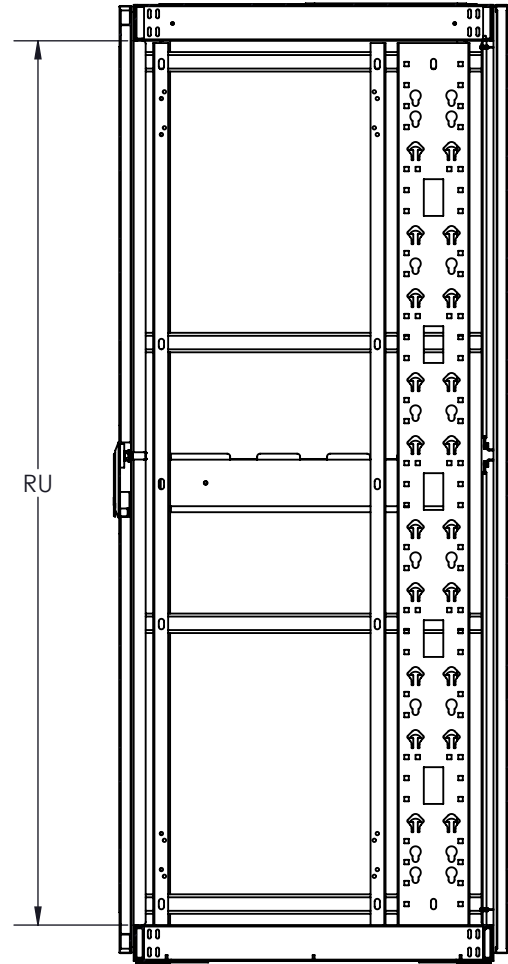
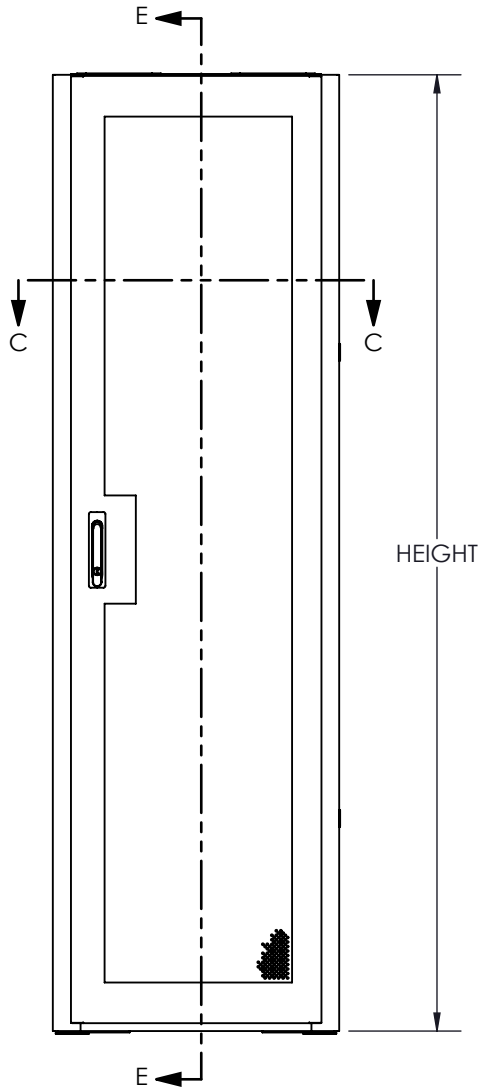
REV.:  
 -

SCALE:  
 1:20

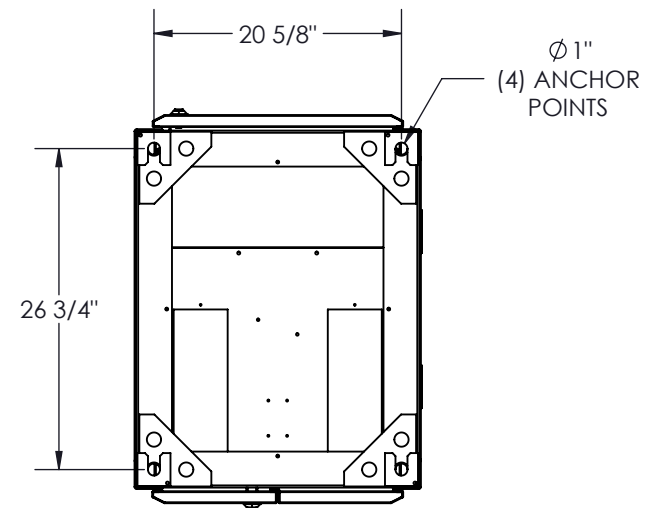
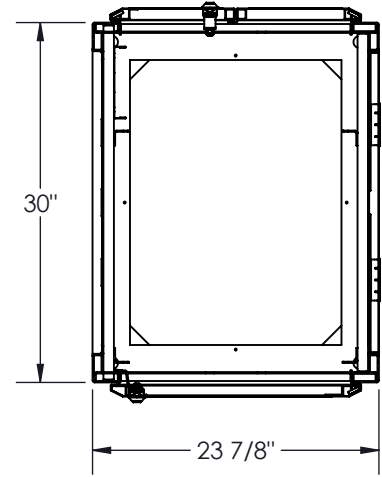
DATE:  
 2019-07-08

SHEET:  
 1 / 2

PART NO.	RU	HEIGHT
CBZKI4-194230	42	79 11/16
CBZKI4-194430	44	83 3/16
CBZKI4-194830	48	90 3/16



SECTION E-E



BOTTOM VIEW

**Electron METAL** PROUDLY MANUFACTURED IN CANADA.

**PROPRIETARY AND CONFIDENTIAL**  
 THE INFORMATION CONTAINED IN THIS DRAWING IS THE SOLE PROPERTY OF A.I.G. ELECTRON METAL INC. ANY REPRODUCTION IN PART OR AS A WHOLE WITHOUT THE WRITTEN PERMISSION OF A.I.G. ELECTRON METAL INC IS PROHIBITED.

APPROVED BY:  
 T.M.

DRAWN BY: E.D.	Title: <b>SEISMIC CABINET V4 SERVER CFG - 24"W x 30"D</b>	PROJECT: G:\SWDwgs\Cabinets\Zone_4_Etroit\EnsemblesServeur\		FILE: CabZ4_19xRUx30_2529-005_Eng		
CHECKED BY: E.D.		PART NO.: SEE TABLE	DRAWING NO.: 2529-005	REV.: -	SCALE: 1:16	DATE: 2019-07-08