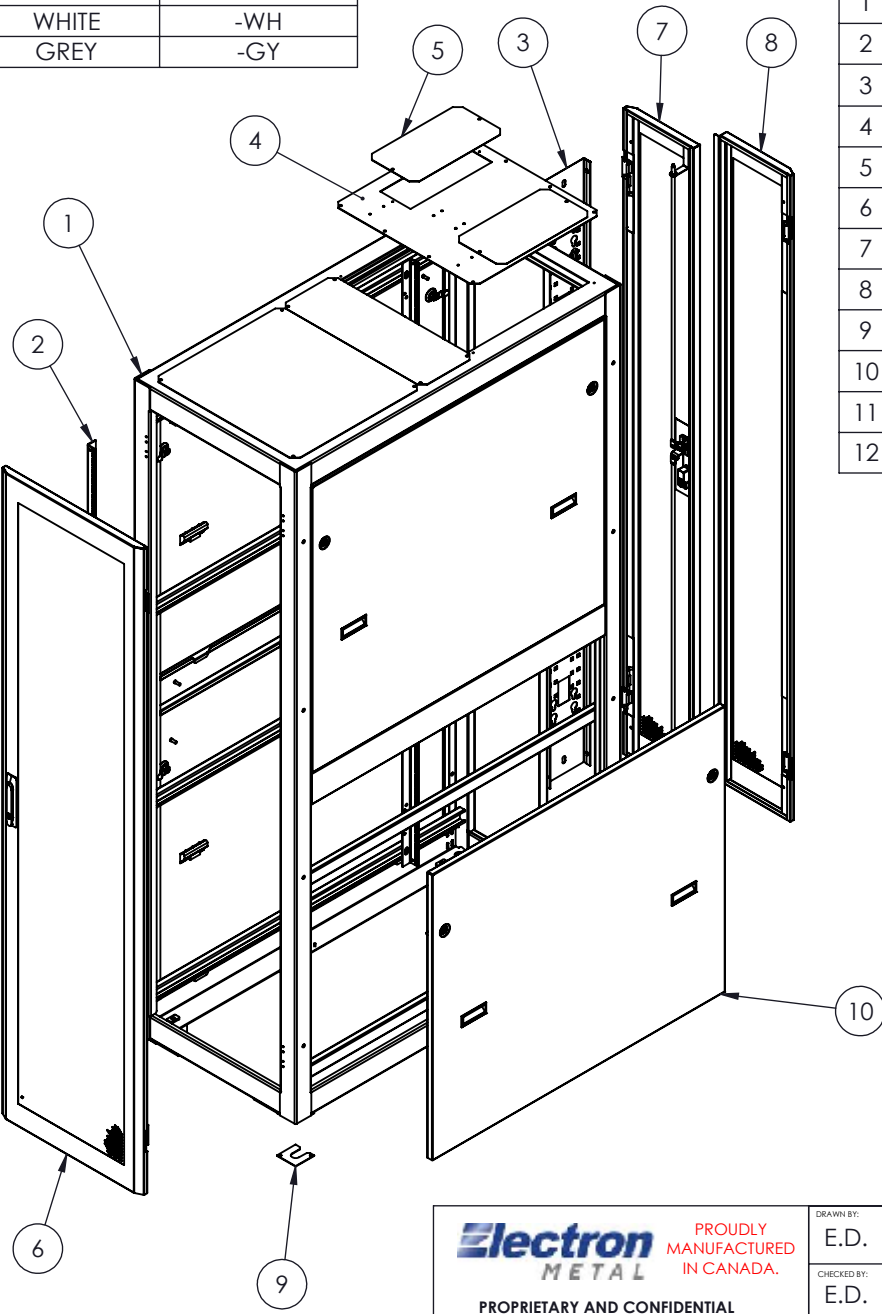


COLOUR	PT# SUFFIX
BLACK	-BK
WHITE	-WH
GREY	-GY



NO.	DWG/SUPPLIER	CFG/SUPPLIER NO.	DESCRIPTION	QTY
1	1930-012	Default	SEISMIC FRAME V4 - 42RU - 24 x 83 x 48	1
2	1305021797	(77")	MOUNTING RAIL 1.25" CAGE-NUTS	4
3	1725-001	Default	VERTICAL CABLE MGT / U.A.C. 44RU (77) x 6	1
4	1741-001	(21)	TOP COVER FOR BRUSH	1
5	1305038320	Default	TOP FRONT COVER PLATE	2
6	2647-005	Default	PERFORATED DOOR 44RU (19 x 77)	1
7	1967-005	Default	SPLIT DOOR PERF. RH (19 x 77)	1
8	1967-006	Default	SPLIT DOOR PERF. L.H. (19 x 77)	1
9	2629-001	Default	LEVELLING SHIM	8
10	2532-008	Default	HALF SPLIT SIDE PANEL (77) x 48	4
11	1305028296	(21)	SERIES 4000 SOLID TOP COVER	1
12	2531-002	(19")	TOP COVER MIDDLE Z4 - 48"D	1

NOTES:

- 1 - CERTIFIED TO:  
- BELLCORE GR-63-CORE, 4.4.1-2  
- CSA 22.2 NO. 70950-1
- 2 - APPROX. WEIGHT: 413 LBS
- 3 - SEISMIC CAPACITY: 801 LBS
- 4 - STATIC CAPACITY: 3000 LBS
- 5 - FINISH: TEXTURED POWDER COAT
- 6 - CABINET MUST BE ANCHORED USING  
4 SEISMIC RATED ANCHORS (NOT INCLUDED).
- 7 - FRAME MAT'L: 11 GA. (.120") COLD ROLLED STEEL
- 8 - ALSO INCLUDES (NOT SHOWN):  
- 100 HEAVY DUTY CAGE-NUTS 10-32  
- 100 TRUSS HEAD SCREWS 10-32 x 5/8 BLACK

APPROVED BY:  
T.M.

**Electron** PROUDLY  
METAL MANUFACTURED  
IN CANADA.

PROPRIETARY AND CONFIDENTIAL  
THE INFORMATION CONTAINED IN THIS  
DRAWING IS THE SOLE PROPERTY OF  
ELECTRON METAL A.I.G. INC. ANY  
REPRODUCTION IN PART OR AS A WHOLE  
WITHOUT THE WRITTEN PERMISSION OF  
A.I.G. ELECTRON METAL INC IS PROHIBITED.

DRAWN BY:  
E.D.  
CHECKED BY:  
E.D.

Title:  
SEISMIQUE CABINET V4 44RU 24 x 83 x 48

FILE:  
CabZ4\_19x77x48\_2529-006\_Eng

PART NO.:  
CBZK14-194448

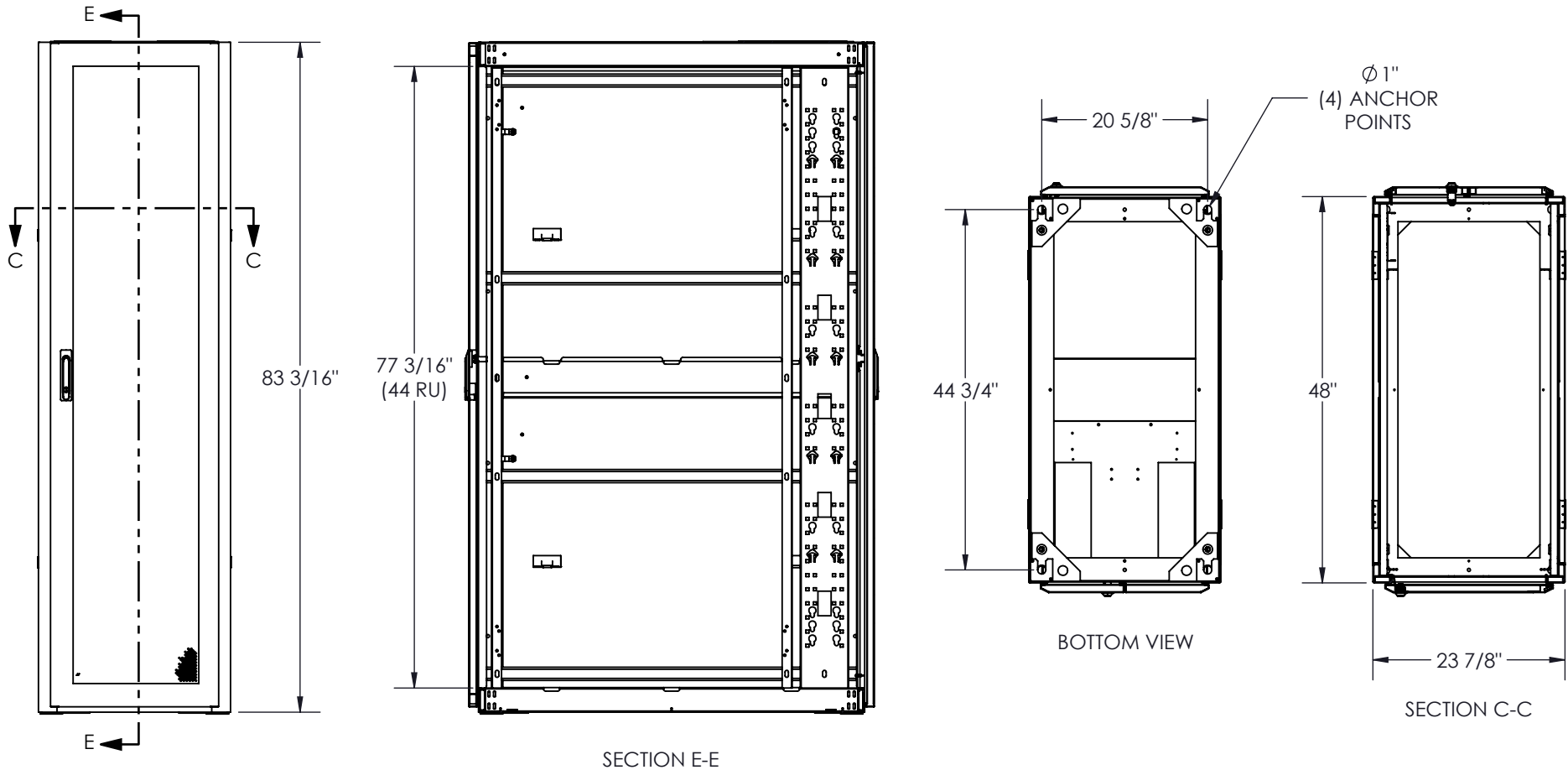
DRAWING NO.:  
2529-006

REV.:  
C

SCALE:  
1:20

DATE:  
2019-07-08

SHEET:  
1 / 2



**electron** PROUDLY MANUFACTURED IN CANADA.  
**METAL**

**PROPRIETARY AND CONFIDENTIAL**  
 THE INFORMATION CONTAINED IN THIS DRAWING IS THE SOLE PROPERTY OF ELECTRON METAL A.I.G. INC. ANY REPRODUCTION IN PART OR AS A WHOLE WITHOUT THE WRITTEN PERMISSION OF A.I.G. ELECTRON METAL INC IS PROHIBITED.

APPROVED BY:  
 T.M.

DRAWN BY: E.D. CHECKED BY: E.D.	Title: SEISMIQUE CABINET V4 44RU 24 x 83 x 48				
FILE: CabZ4_19x77x48_2529-006_Eng					
PART NO.: CBZK14-194448	DRAWING NO.: 2529-006	REV.: C	SCALE: 1:20	DATE: 2019-07-08	SHEET: 2 / 2