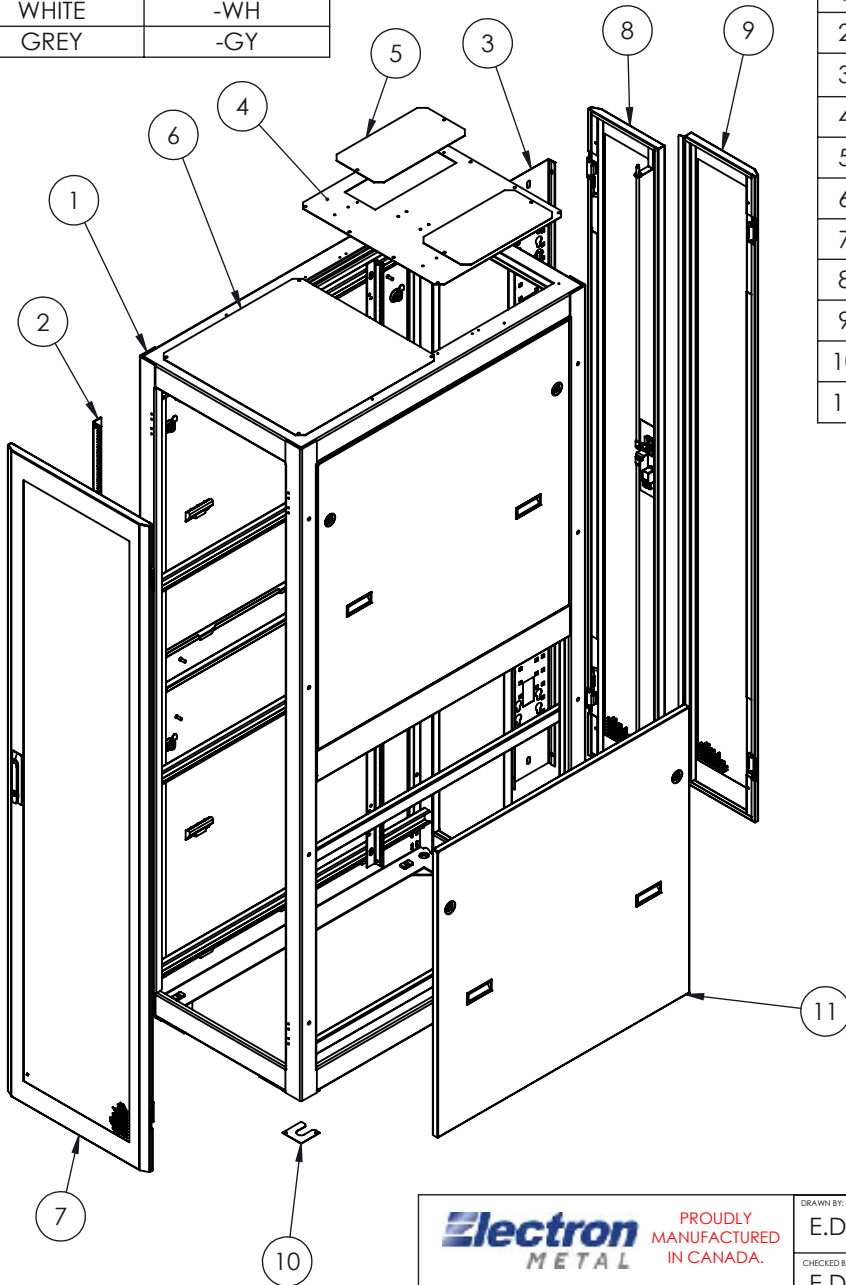


COLOUR	PT# SUFFIX
BLACK	-BK
WHITE	-WH
GREY	-GY

NO.	DWG/SUPPLIER	CFG/SUPPLIER NO.	DESCRIPTION	QTY
1	1930-018	Default	SEISMIC FRAME V4 - 42RU - 24 x 83 x 42	1
2	1305021797	(77")	MOUNTING RAIL 1.25" CAGE-NUTS	4
3	1725-001	Default	VERTICAL CABLE MGT / U.A.C. 44RU (77) x 6	1
4	1741-001	(21)	TOP COVER FOR BRUSH	1
5	1305038320	Default	TOP FRONT COVER PLATE	2
6	2531-001	(19) x 42	TOP FRONT COVER SEISMIQUE V4	1
7	2647-005	Default	PERFORATED DOOR 44RU (19 x 77)	1
8	1967-005	Default	SPLIT DOOR PERF. RH (19 x 77)	1
9	1967-006	Default	SPLIT DOOR PERF. L.H. (19 x 77)	1
10	2629-001	Default	LEVELLING SHIM	8
11	2532-011	Default	HALF SPLIT SIDE PANEL (77) x 42	4



NOTES:

- 1 - CERTIFIED TO:  
- BELLCORE GR-63-CORE, 4.4.1-2  
- CSA 22.2 NO. 70950-1
- 2 - APPROX. WEIGHT: 388 LBS
- 3 - SEISMIC CAPACITY: 826 LBS
- 4 - STATIC CAPACITY: 3000 LBS
- 5 - FINISH: TEXTURED POWDER COAT
- 6 - CABINET MUST BE ANCHORED USING  
4 SEISMIC RATED ANCHORS (NOT INCLUDED).
- 7 - FRAME MAT'L: 11 GA. (.120") COLD ROLLED STEEL
- 8 - ALSO INCLUDED (NOT SHOWN):  
- 100 HEAVY DUTY CAGE-NUTS 10-32  
- 100 TRUSS HEAD SCREWS 10-32 x 5/8 BLACK

APPROVED BY:  
T.M.

**Electron** PROUDLY  
METAL MANUFACTURED  
IN CANADA.

PROPRIETARY AND CONFIDENTIAL  
THE INFORMATION CONTAINED IN THIS  
DRAWING IS THE SOLE PROPERTY OF  
ELECTRON METAL A.I.G. INC. ANY  
REPRODUCTION IN PART OR AS A WHOLE  
WITHOUT THE WRITTEN PERMISSION OF  
A.I.G. ELECTRON METAL INC IS PROHIBITED.

DRAWN BY:  
E.D.  
CHECKED BY:  
E.D.

Title:  
SEISMIQUE CABINET V4 44RU 24 x 83 x 42

FILE:  
CabZ4\_19x77x42\_2529-008\_Eng

PART NO.:  
CBZK14-194442

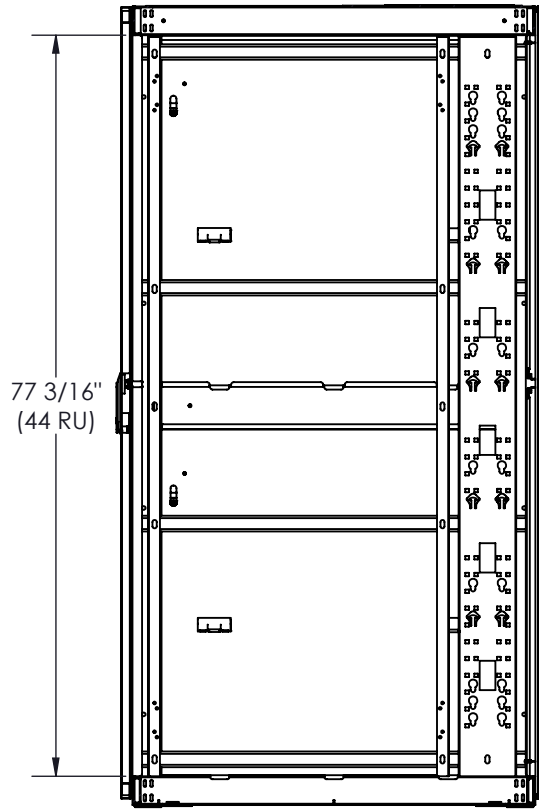
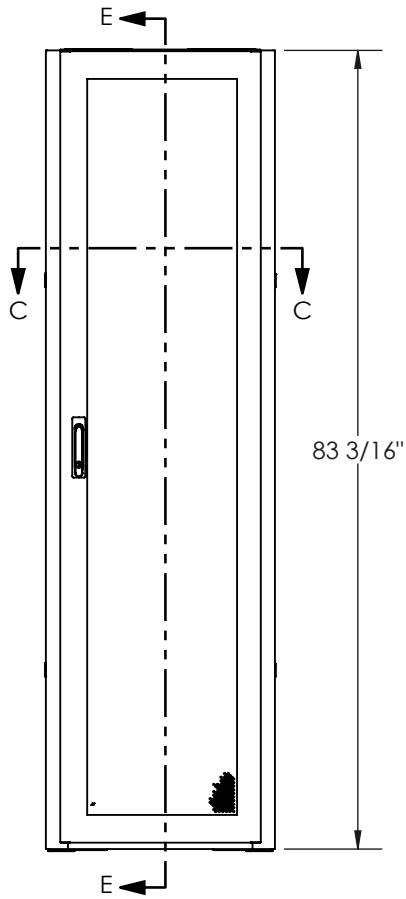
DRAWING NO.:  
2529-008

REV.:  
B

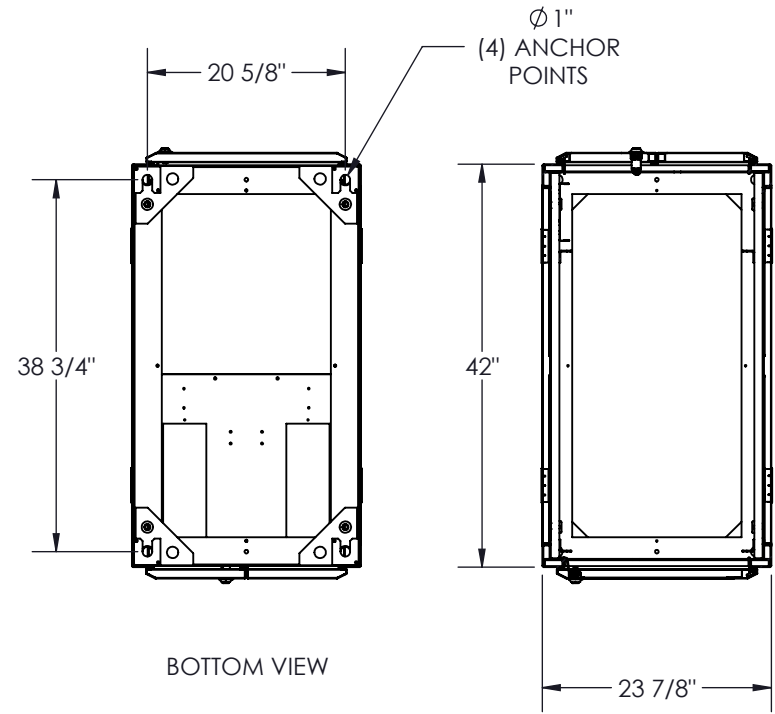
SCALE:  
1:20

DATE:  
2019-09-25

SHEET:  
1 / 2



SECTION E-E



BOTTOM VIEW

SECTION C-C

**Electron METAL** PROUDLY MANUFACTURED IN CANADA.

**PROPRIETARY AND CONFIDENTIAL**  
 THE INFORMATION CONTAINED IN THIS DRAWING IS THE SOLE PROPERTY OF ELECTRON METAL A.I.G. INC. ANY REPRODUCTION IN PART OR AS A WHOLE WITHOUT THE WRITTEN PERMISSION OF A.I.G. ELECTRON METAL INC IS PROHIBITED.

APPROVED BY:  
 T.M.

DRAWN BY:  
 E.D.

CHECKED BY:  
 E.D.

FILE:  
 CabZ4\_19x77x42\_2529-008\_Eng

PART NO.:  
 CBZK14-194442

Title:  
 SEISMIQUE CABINET V4 44RU 24 x 83 x 42

DRAWING NO.:  
 2529-008

REV.:  
 B

SCALE:  
 1:20

DATE:  
 2019-09-25

SHEET:  
 2 / 2