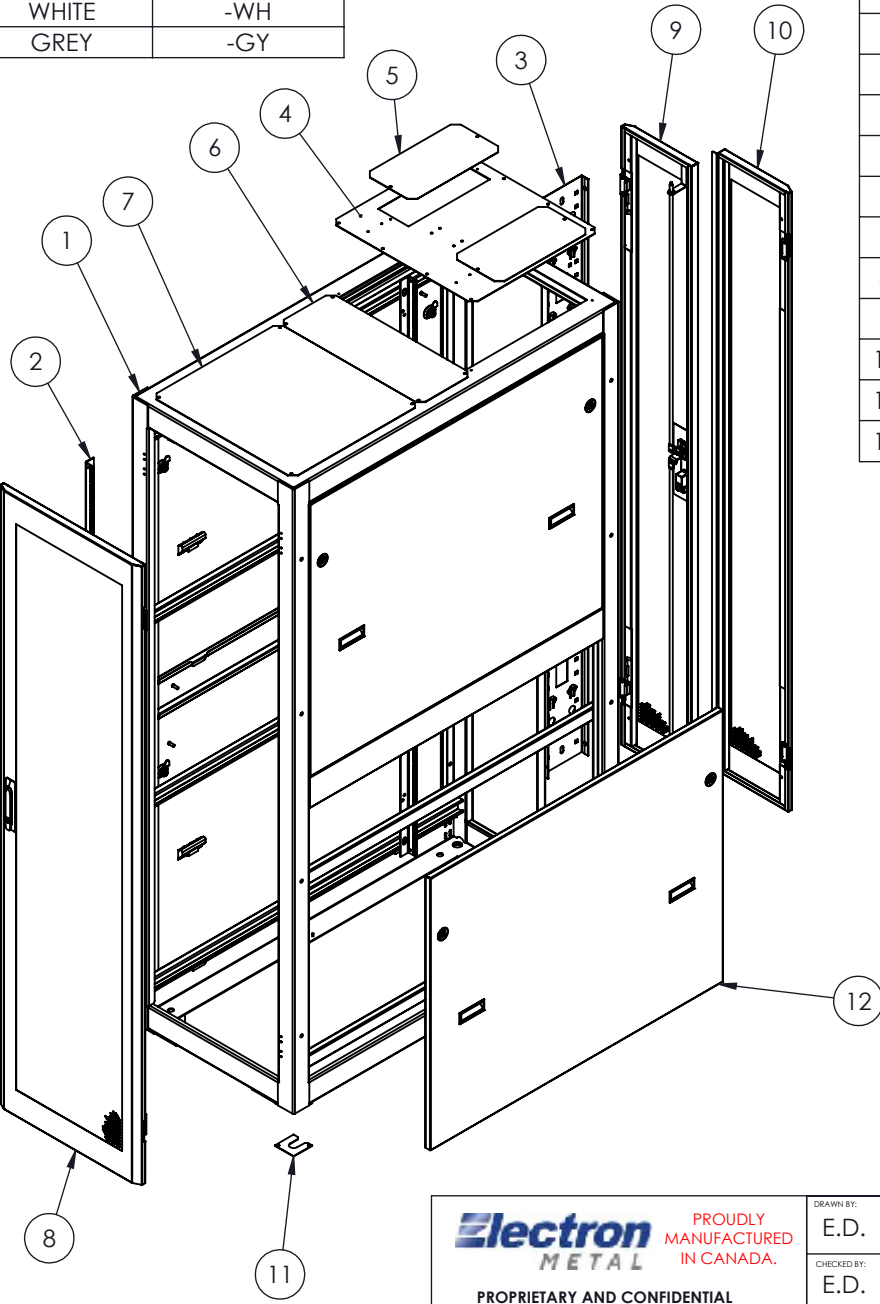


COLOUR	PT# SUFFIX
BLACK	-BK
WHITE	-WH
GREY	-GY



NO.	DWG/SUPPLIER	CFG/SUPPLIER NO.	DESCRIPTION	QTY
1	1930-019	Default	SEISMIC FRAME V4 - 42RU - 24 x 79.5 x 48	1
2	1305021797	(73.5")	MOUNTING RAIL 1.25" CAGE-NUTS	4
3	2413-001	Default	VERTICAL CABLE MGT / U.A.C. (73.5) x 6	1
4	1741-001	(21)	TOP COVER FOR BRUSH	1
5	1305038320	Default	TOP FRONT COVER PLATE	2
6	2531-002	(19")	TOP COVER MIDDLE Z4 - 48"D	1
7	1305028296	(21)	SERIES 4000 SOLID TOP COVER	1
8	2647-004	Default	PERFORATED DOOR 42RU (19 x 73.5)	1
9	1967-003	Default	SPLIT DOOR PERF. RH (19 x 73.5)	1
10	1967-004	Default	SPLIT DOOR PERF. L.H. (19 x 73.5)	1
11	2629-001	Default	LEVELLING SHIM	8
12	2532-013	Default	HALF SPLIT SIDE PANEL (73.5) x 48	4

NOTES:

- 1 - CERTIFIED TO:
  - BELLCORE GR-63-CORE, 4.4.1-2
  - CSA 22.2 NO. 70950-1
- 2 - APPROX. WEIGHT: 406 LBS
- 3 - SEISMIC CAPACITY: 808 LBS
- 4 - STATIC CAPACITY: 3000 LBS
- 5 - FINISH: TEXTURED POWDER COAT
- 6 - CABINET MUST BE ANCHORED USING 4 SEISMIC RATED ANCHORS (NOT INCLUDED).
- 7 - FRAME MAT'L: 11 GA. (.120") COLD ROLLED STEEL
- 8 - ALSO INCLUDED (NOT SHOWN):
  - 100 HEAVY DUTY CAGE-NUTS 10-32
  - 100 TRUSS HEAD SCREWS 10-32 x 5/8 BLACK

APPROVED BY:  
T.M.

**Electron** PROUDLY  
METAL MANUFACTURED  
IN CANADA.

PROPRIETARY AND CONFIDENTIAL  
THE INFORMATION CONTAINED IN THIS  
DRAWING IS THE SOLE PROPERTY OF  
ELECTRON METAL A.I.G. INC. ANY  
REPRODUCTION IN PART OR AS A WHOLE  
WITHOUT THE WRITTEN PERMISSION OF  
A.I.G. ELECTRON METAL INC IS PROHIBITED.

DRAWN BY:  
E.D.

CHECKED BY:  
E.D.

FILE:  
CabZ4\_19x73x48\_2529-009\_Eng

PART NO.:  
CBZK14-194248

Title:  
SEISMIQUE CABINET V4 42RU 24 x 79.5 x 48

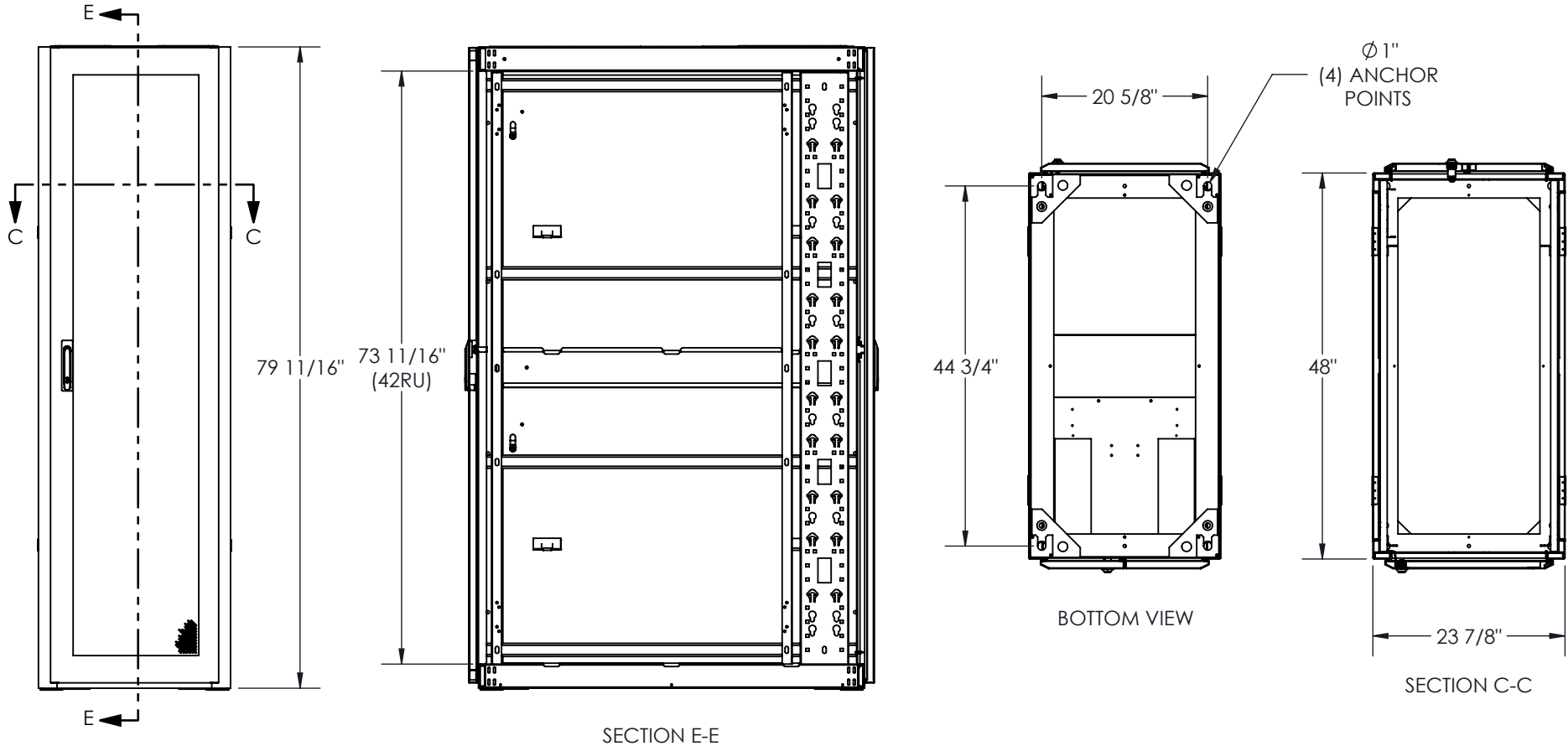
DRAWING NO.:  
2529-009

REV.:  
C

SCALE:  
1:20

DATE:  
2019-12-02

SHEET:  
1 / 2



APPROVED BY:  
T.M.

**Electron METAL** PROUDLY MANUFACTURED IN CANADA.

**PROPRIETARY AND CONFIDENTIAL**  
THE INFORMATION CONTAINED IN THIS DRAWING IS THE SOLE PROPERTY OF ELECTRON METAL A.I.G. INC. ANY REPRODUCTION IN PART OR AS A WHOLE WITHOUT THE WRITTEN PERMISSION OF A.I.G. ELECTRON METAL INC IS PROHIBITED.

DRAWN BY:  
E.D.  
CHECKED BY:  
E.D.

Title:  
SEISMIQUE CABINET V4 42RU 24 x 79.5 x 48

FILE:  
CabZ4\_19x73x48\_2529-009\_Eng

PART NO.:  
CBZK14-194248

DRAWING NO.:  
2529-009

REV.:  
C

SCALE:  
1:20

DATE:  
2019-12-02

SHEET:  
2 / 2