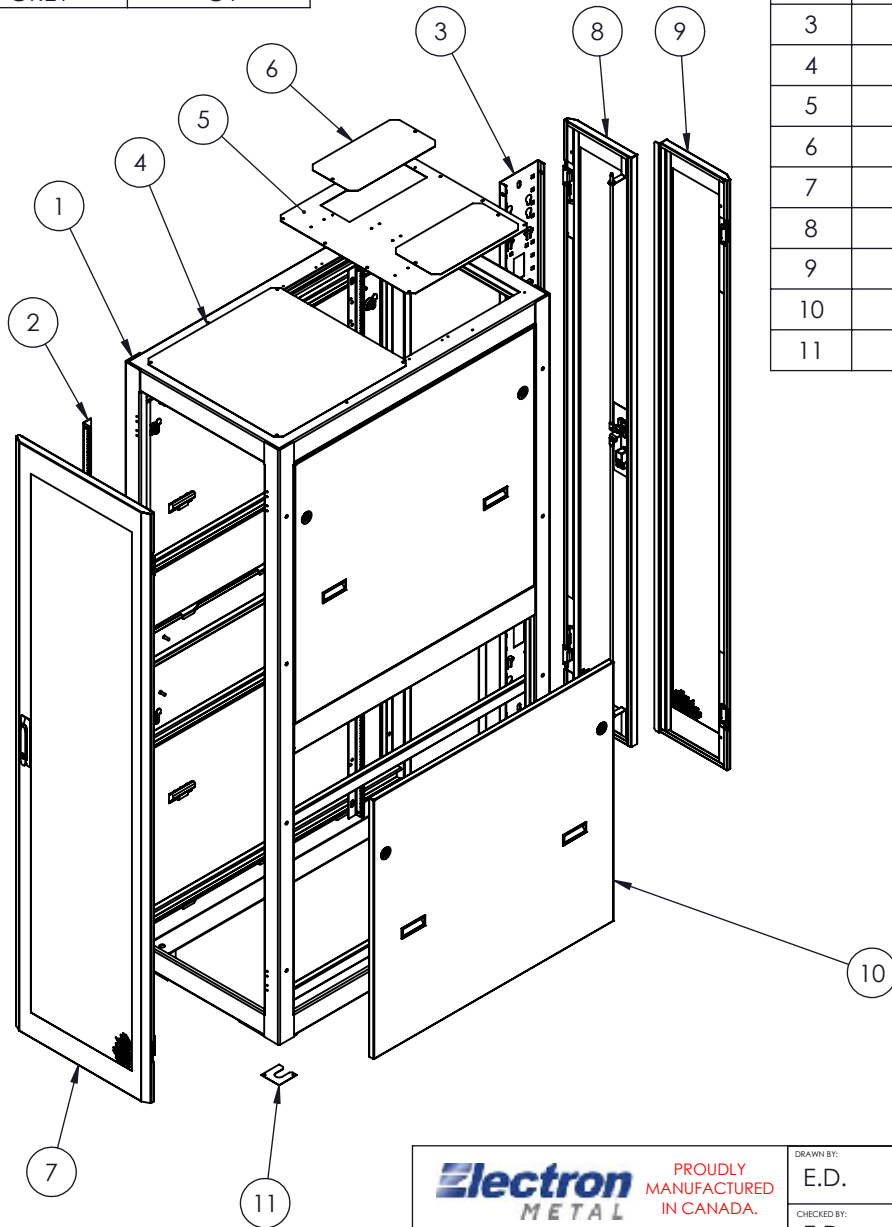


COLOUR	PT# SUFFIX
BLACK	-BK
WHITE	-WH
GREY	-GY



NO.	DWG/SUPPLIER	CFG/SUPPLIER NO.	DESCRIPTION	QTY
1	2530-004	Default	SEISMIC FRAME V4 - 48RU - 24 x 79.5 x 42	1
2	1305021797	(73.5")	MOUNTING RAIL 1.25" CAGE-NUTS	4
3	2413-001	Default	VERTICAL CABLE MGT / U.A.C. (73.5) x 6	1
4	2531-001	(19) x 42	TOP FRONT COVER SEISMIQUE V4	1
5	1741-001	(21)	TOP COVER FOR BRUSH	1
6	1305038320	Default	TOP FRONT COVER PLATE	2
7	2647-004	Default	PERFORATED DOOR 42RU (19 x 73.5)	1
8	1967-003	Default	SPLIT DOOR PERF. RH (19 x 73.5)	1
9	1967-004	Default	SPLIT DOOR PERF. L.H. (19 x 73.5)	1
10	2532-003	Default	HALF SPLIT SIDE PANEL	4
11	2629-001	Default	LEVELLING SHIM	8

NOTES:

- 1 - CERTIFIED TO:
  - BELLCORE GR-63-CORE, 4.4.1-2
  - CSA 22.2 NO. 70950-1
- 2 - APPROX. WEIGHT: 381 LBS
- 3 - SEISMIC CAPACITY: 835 LBS
- 4 - STATIC CAPACITY: 3000 LBS
- 5 - FINISH: TEXTURED POWDER COAT
- 6 - CABINET MUST BE ANCHORED USING 4 SEISMIC RATED ANCHORS (NOT INCLUDED).
- 7 - FRAME MAT'L: 11 GA. (.120") COLD ROLLED STEEL
- 8 - ALSO INCLUDED (NOT SHOWN):
  - 100 HEAVY DUTY CAGE-NUTS 10-32
  - 100 TRUSS HEAD SCREWS 10-32 x 5/8 BLACK

**Electron** PROUDLY MANUFACTURED IN CANADA.  
**METAL**

**PROPRIETARY AND CONFIDENTIAL**  
 THE INFORMATION CONTAINED IN THIS DRAWING IS THE SOLE PROPERTY OF ELECTRON METAL A.I.G. INC. ANY REPRODUCTION IN PART OR AS A WHOLE WITHOUT THE WRITTEN PERMISSION OF A.I.G. ELECTRON METAL INC IS PROHIBITED.

APPROVED BY:  
 T.M.

DRAWN BY:  
 E.D.

CHECKED BY:  
 E.D.

FILE:  
 CabZ4\_19x73x42\_2529-004\_Eng

PART NO.:  
 CBZK14-194242

Title:  
 SEISMIQUE CABINET Z4V4 42RU 24 x 79.5 x 42

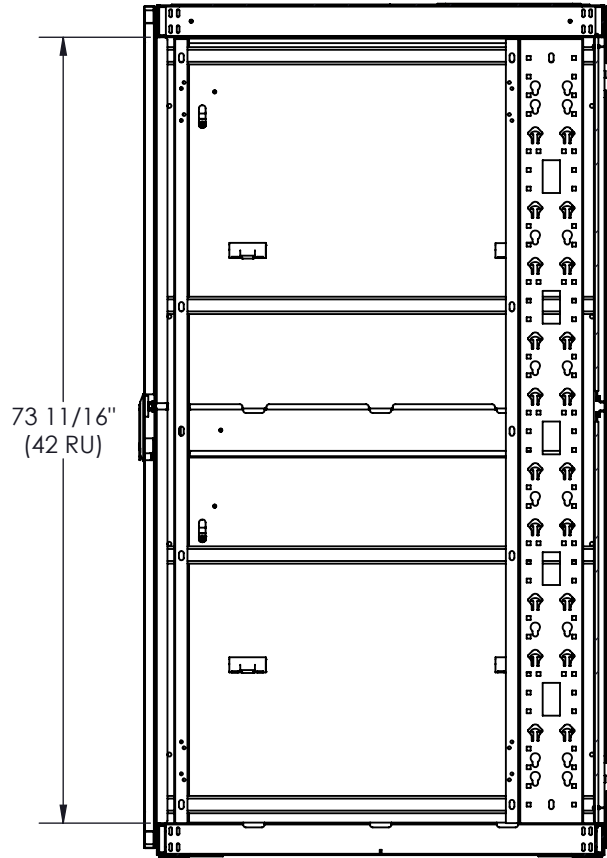
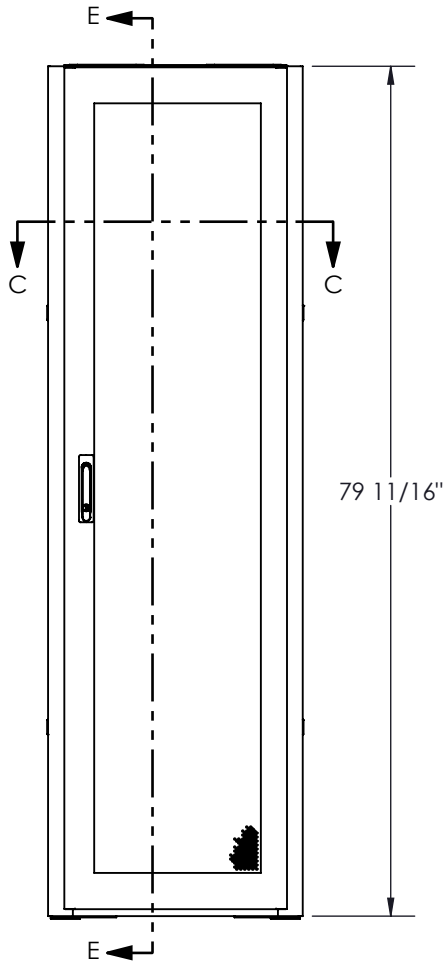
DRAWING NO.:  
 2529-004

REV.:  
 C

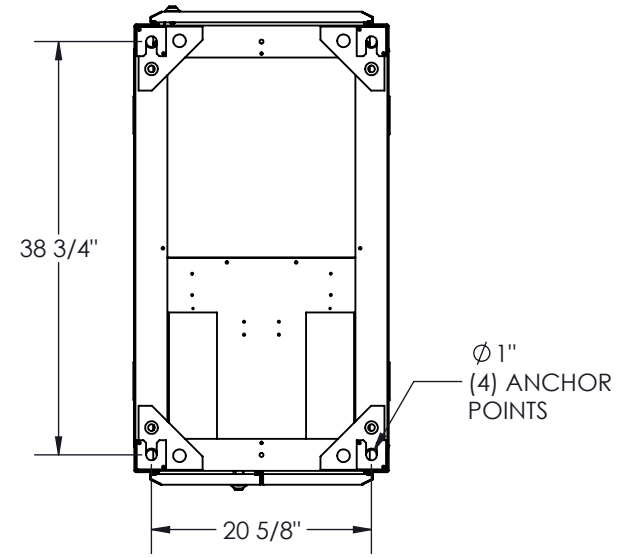
SCALE:  
 1:21

DATE:  
 2019-01-29

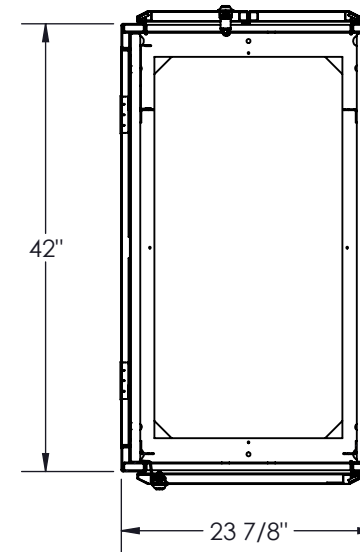
SHEET:  
 1 / 2



SECTION E-E



BOTTOM VIEW



SECTION C-C

**electron** PROUDLY MANUFACTURED IN CANADA.  
METAL IN CANADA.

**PROPRIETARY AND CONFIDENTIAL**  
THE INFORMATION CONTAINED IN THIS DRAWING IS THE SOLE PROPERTY OF ELECTRON METAL A.I.G. INC. ANY REPRODUCTION IN PART OR AS A WHOLE WITHOUT THE WRITTEN PERMISSION OF A.I.G. ELECTRON METAL INC IS PROHIBITED.

APPROVED BY:  
T.M.

DRAWN BY:  
E.D.

CHECKED BY:  
E.D.

FILE:  
CabZ4\_19x73x42\_2529-004\_Eng

PART NO.:  
CBZK14-194242

Title:  
SEISMIQUE CABINET Z4V4 42RU 24 x 79.5 x 42

DRAWING NO.:  
2529-004

REV.:  
C

SCALE:  
1:18

DATE:  
2019-01-29

SHEET:  
2 / 2