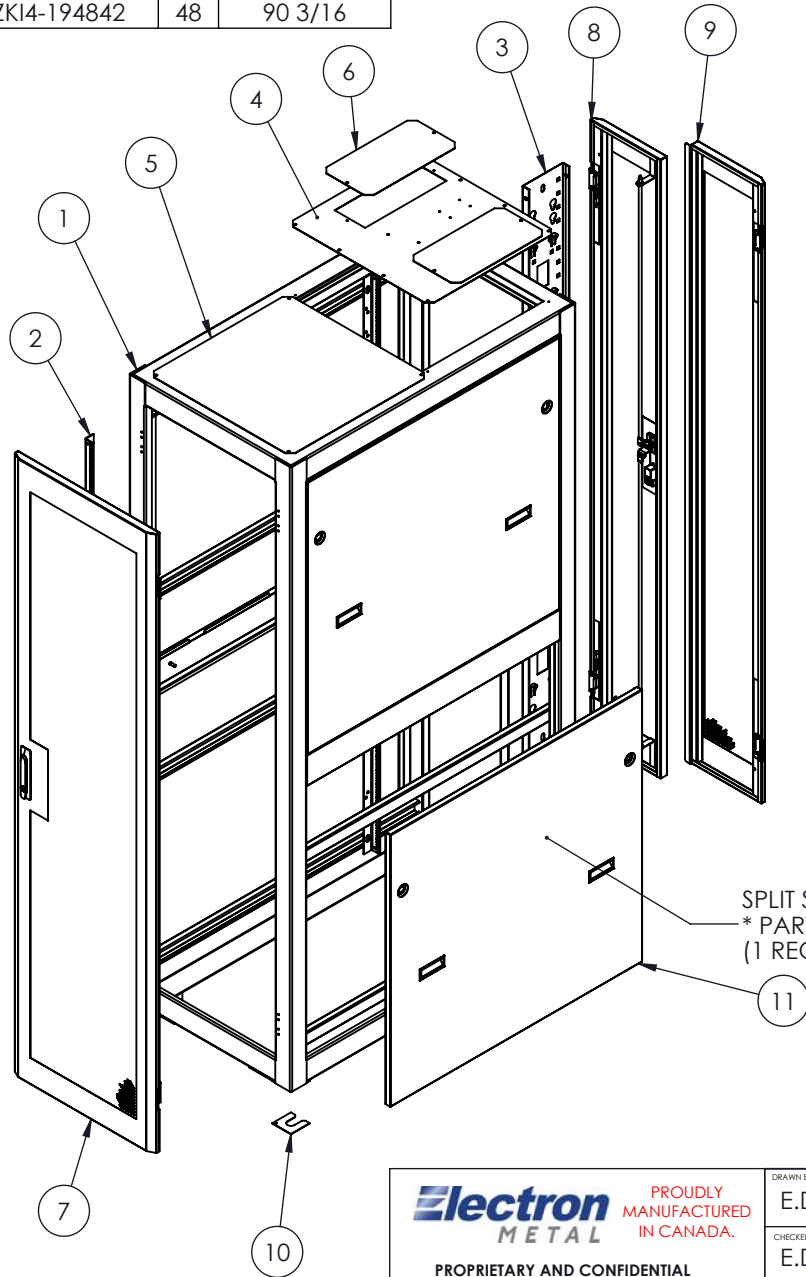


PART NO.	RU	HEIGHT
CBZKI4-194242	42	79 11/16
CBZKI4-194442	44	83 3/16
CBZKI4-194842	48	90 3/16



NO.	DESCRIPTION	QTY
1	SEISMIC FRAME V4 - 24"W x 42"D	1
2	MOUNTING RAIL 1.25" CAGE-NUTS	4
3	VERTICAL CABLE MGT / U.A.C. 6"D	1
4	TOP COVER FOR BRUSH	1
5	TOP FRONT COVER SEISMIQUE V4	1
6	TOP FRONT COVER PLATE	2
7	PERFORATED DOOR	1
8	SPLIT DOOR PERF. RH	1
9	SPLIT DOOR PERF. L.H.	1
10	SHIM	8
11	HALF SPLIT SIDE PANEL - OPTIONAL	2

NOTES:

- 1 - CERTIFIED TO BELLCORE GR-63-CORE
- 2 - FINISH: TEXTURED POWEDER COAT
- 3 - CABINET MUST BE ANCHORED USING 4 SEISMIC RATED ANCHORS (NOT INCLUDED).
- 4 - FRAME MAT'L: 11 GA. (.120") COLD ROLLED STEEL

SPLIT SIDE PANEL OPTIONAL
 * PART NO.: SPZSLK-00 **RU** 42
 (1 REQUIRED PER SIDE)

* SUBSTITUTE **RU** WITH ACTUAL NUMBER OF RACK UNITS.
 EX.: SPZSLK-00**44**42-BK

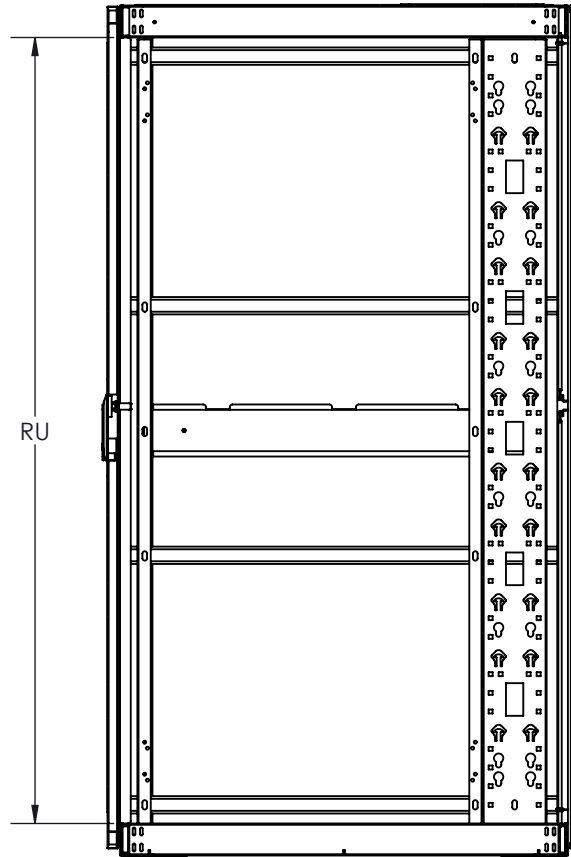
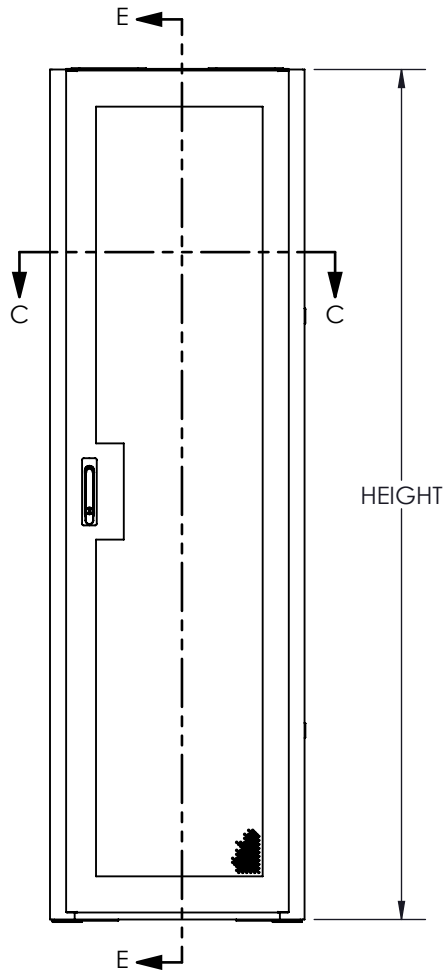
APPROVED BY:
 T.M.



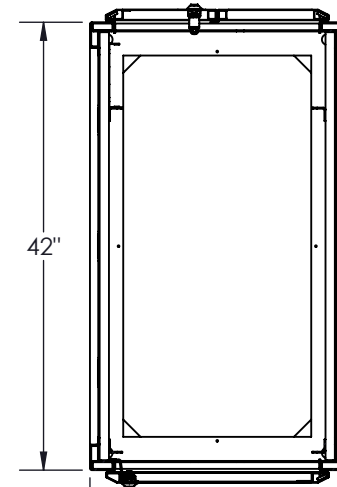
PROPRIETARY AND CONFIDENTIAL
 THE INFORMATION CONTAINED IN THIS DRAWING IS THE SOLE PROPERTY OF A.I.G. ELECTRON METAL INC. ANY REPRODUCTION IN PART OR AS A WHOLE WITHOUT THE WRITTEN PERMISSION OF A.I.G. ELECTRON METAL INC IS PROHIBITED.

DRAWN BY: E.D.	Title: SEISMIC CABINET V4 - SERVER CFG - 24"W X 42"D				
CHECKED BY: E.D.					
PROJECT: G:\SWDwgs\Cabinets\Zone_4_Etroit\EnsemblesServeur\	FILE: CabZ4_19xRUx42_2529-004_Eng				
PART NO.: SEE TABLE	DRAWING NO.: 2529-004	REV.: -	SCALE: 1:20	DATE: 2019-01-29	SHEET: 1 / 2

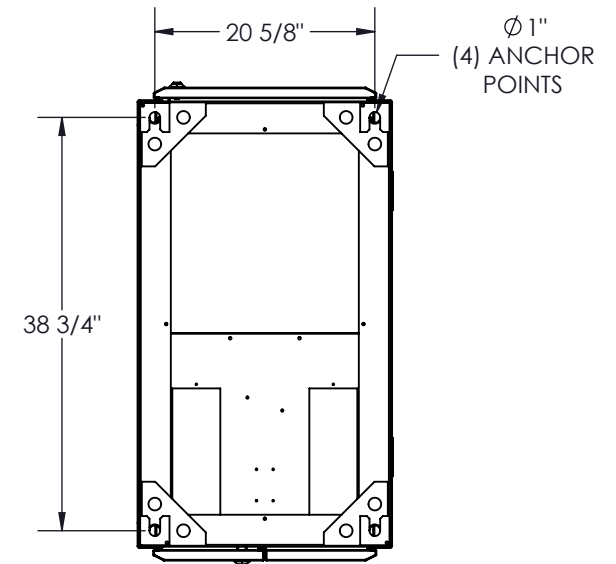
PART NO.	RU	HEIGHT
CBZKI4-194242	42	79 11/16
CBZKI4-194442	44	83 3/16
CBZKI4-194842	48	90 3/16



SECTION E-E



SECTION C-C



BOTTOM VIEW

Electron PROUDLY MANUFACTURED
METAL IN CANADA.

PROPRIETARY AND CONFIDENTIAL
 THE INFORMATION CONTAINED IN THIS DRAWING IS THE SOLE PROPERTY OF A.I.G. ELECTRON METAL INC. ANY REPRODUCTION IN PART OR AS A WHOLE WITHOUT THE WRITTEN PERMISSION OF A.I.G. ELECTRON METAL INC IS PROHIBITED.

APPROVED BY:
 T.M.

DRAWN BY:
 E.D.

CHECKED BY:
 E.D.

PROJECT:
 G:\SWDwgs\Cabinets\Zone_4_Etroit\EnsemblesServeur\

PART NO.:
 SEE TABLE

Title:

SEISMIC CABINET V4 - SERVER CFG - 24"W x 42"D

DRAWING NO.:
 2529-004

FILE:
 CabZ4_19xRUx42_2529-004_Eng

REV.:
 -

SCALE:
 1:18

DATE:
 2019-01-29

SHEET:
 2 / 2