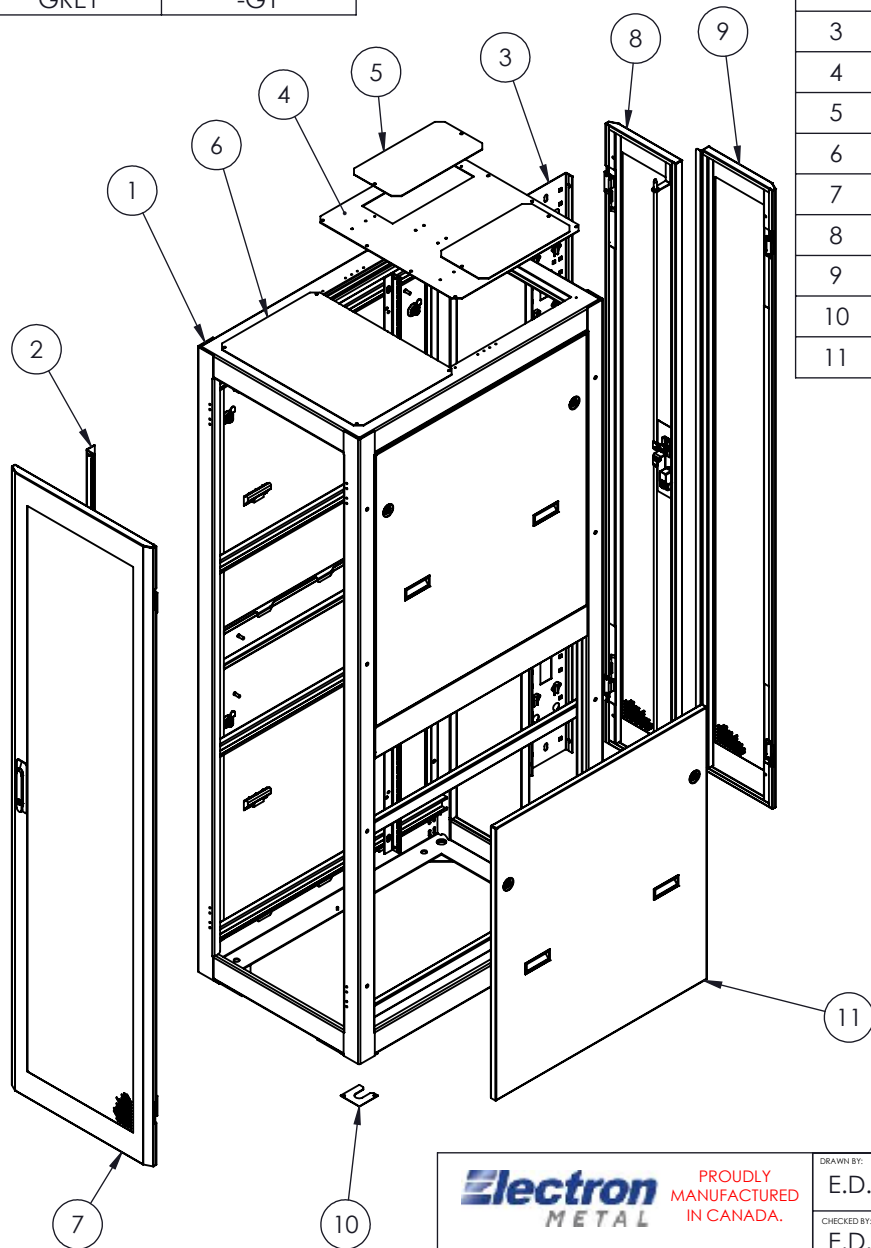


COLOUR	PT# SUFFIX
BLACK	-BK
WHITE	-WH
GREY	-GY



NO.	DWG/SUPPLIER	CFG/SUPPLIER NO.	DESCRIPTION	QTY
1	1930-016	Default	SEISMIC FRAME V4 - 42RU - 24 x 79.5 x 36	1
2	1305021797	(73.5")	MOUNTING RAIL 1.25" CAGE-NUTS	4
3	2413-001	Default	VERTICAL CABLE MGT / U.A.C. (73.5) x 6	1
4	1741-001	(21)	TOP COVER FOR BRUSH	1
5	1305038320	Default	TOP FRONT COVER PLATE	2
6	2531-001	(19) x 36	TOP FRONT COVER SEISMIQUE V4	1
7	2647-004	Default	PERFORATED DOOR 42RU (19 x 73.5)	1
8	1967-003	Default	SPLIT DOOR PERF. RH (19 x 73.5)	1
9	1967-004	Default	SPLIT DOOR PERF. L.H. (19 x 73.5)	1
10	2629-001	Default	LEVELLING SHIM	8
11	2532-012	Default	HALF SPLIT SIDE PANEL (73.5) x 36	4

NOTES:

- 1 - CERTIFIED TO:
 - BELLCORE GR-63-CORE, 4.4.1-2
 - CSA 22.2 NO. 70950-1
- 2 - APPROX. WEIGHT: 356 LBS
- 3 - SEISMIC CAPACITY: 858 LBS
- 4 - STATIC CAPACITY: 3000 LBS
- 5 - FINISH: TEXTURED POWEDER COAT
- 6 - CABINET MUST BE ANCHORED USING 4 SEISMIC RATED ANCHORS (NOT INCLUDED).
- 7 - FRAME MAT'L: 11 GA. (.120") COLD ROLLED STEEL
- 8 - ALSO INCLUDED (NOT SHOWN):
 - 100 HEAVY DUTY CAGE-NUTS 10-32
 - 100 TRUSS HEAD SCREWS 10-32 x 5/8 BLACK

APPROVED BY:
T.M.

Electron PROUDLY
METAL MANUFACTURED
IN CANADA.

PROPRIETARY AND CONFIDENTIAL
THE INFORMATION CONTAINED IN THIS
DRAWING IS THE SOLE PROPERTY OF
ELECTRON METAL A.I.G. INC. ANY
REPRODUCTION IN PART OR AS A WHOLE
WITHOUT THE WRITTEN PERMISSION OF
A.I.G. ELECTRON METAL INC IS PROHIBITED.

DRAWN BY:
E.D.
CHECKED BY:
E.D.

Title:
SEISMIQUE CABINET V4 42RU (19 x 73.5) x 36
24 x 79.5 x 36

FILE:
CabZ4_19x73x36_2529-007_Eng

PART NO.:
CBZK14-194236

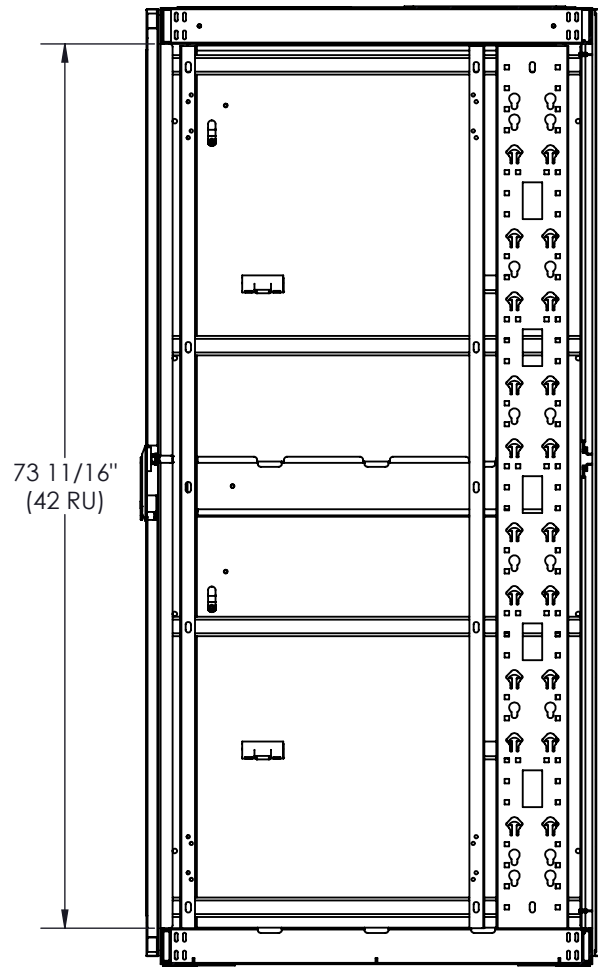
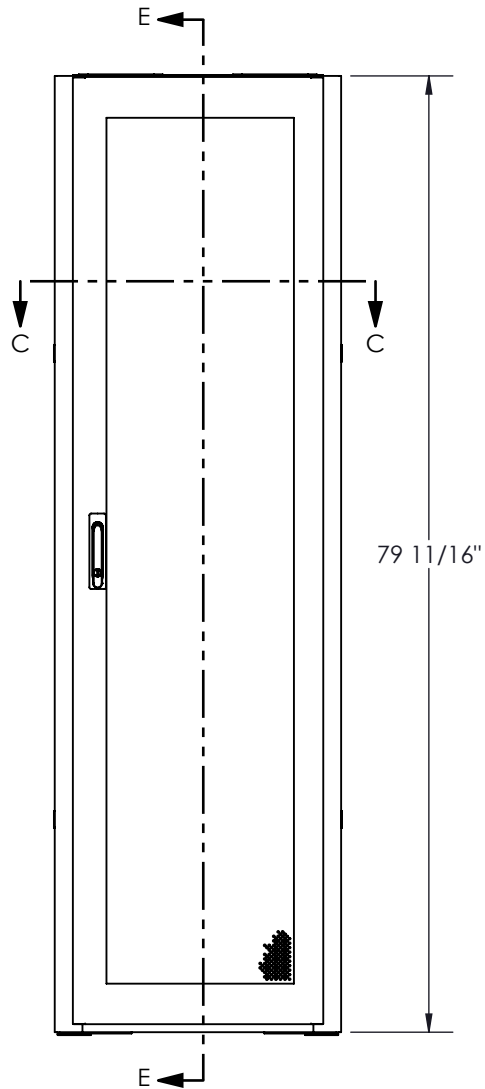
DRAWING NO.:
2529-007

REV.:
B

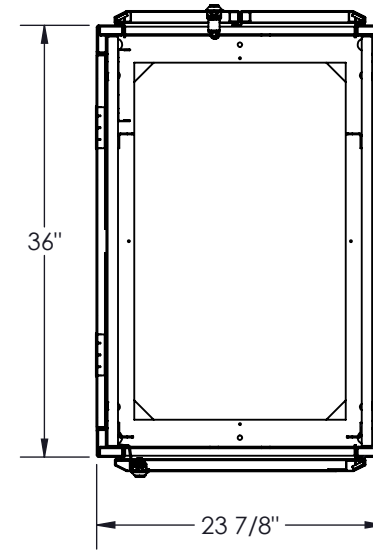
SCALE:
1:20

DATE:
2019-07-10

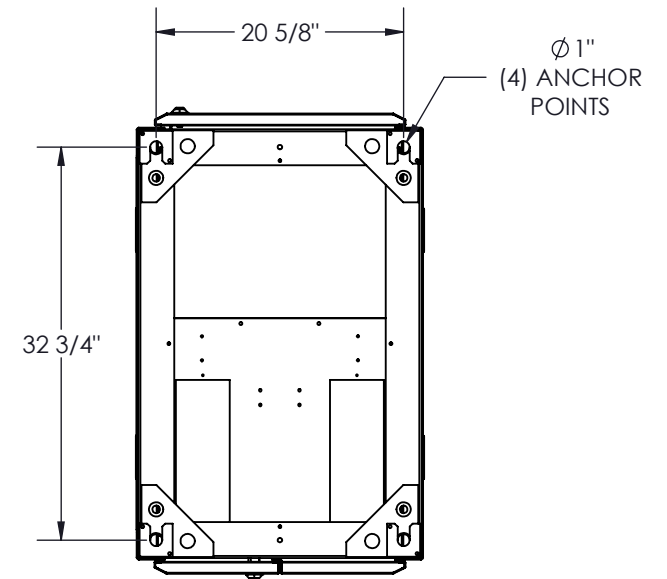
SHEET:
1 / 2



SECTION E-E



SECTION C-C



BOTTOM VIEW

Electron METAL PROUDLY MANUFACTURED IN CANADA.

PROPRIETARY AND CONFIDENTIAL
THE INFORMATION CONTAINED IN THIS DRAWING IS THE SOLE PROPERTY OF ELECTRON METAL A.I.G. INC. ANY REPRODUCTION IN PART OR AS A WHOLE WITHOUT THE WRITTEN PERMISSION OF A.I.G. ELECTRON METAL INC IS PROHIBITED.

APPROVED BY:
T.M.

DRAWN BY:
E.D.
CHECKED BY:
E.D.

Title:
SEISMIQUE CABINET V4 42RU (19 x 73.5) x 36
24 x 79.5 x 36

FILE:
CabZ4_19x73x36_2529-007_Eng

PART NO.:
CBZK14-194236

DRAWING NO.:
2529-007

REV.:
B

SCALE:
1:16

DATE:
2019-07-10

SHEET:
2 / 2