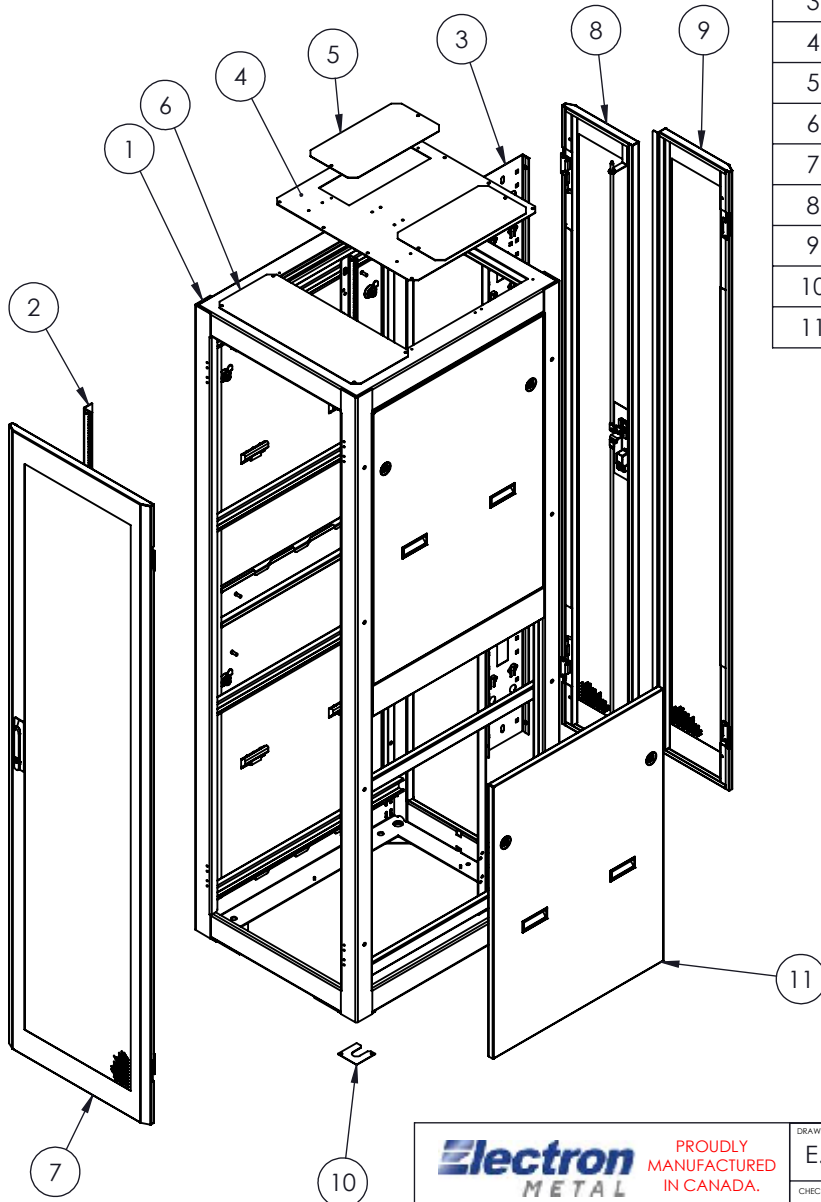


COLOUR	PT# SUFFIX
BLACK	-BK
WHITE	-WH
GREY	-GY

NO.	DWG/SUPPLIER	CFG/SUPPLIER NO.	DESCRIPTION	QTY
1	1930-011	Default	SEISMIC FRAME V4 - 42RU - 24 x 79.5 x 30	1
2	1305021797	(73.5")	MOUNTING RAIL 1.25" CAGE-NUTS	4
3	2413-001	Default	VERTICAL CABLE MGT / U.A.C. (73.5) x 6	1
4	1741-001	(21)	TOP COVER FOR BRUSH	1
5	1305038320	Default	TOP FRONT COVER PLATE	2
6	2531-001	(19) x 30	TOP FRONT COVER SEISMIQUE V4	1
7	2647-004	Default	PERFORATED DOOR 42RU (19 x 73.5)	1
8	1967-003	Default	SPLIT DOOR PERF. RH (19 x 73.5)	1
9	1967-004	Default	SPLIT DOOR PERF. L.H. (19 x 73.5)	1
10	2629-001	Default	LEVELLING SHIM	8
11	2532-007	Default	HALF SPLIT SIDE PANEL 30"D	4



NOTES:

- 1 - CERTIFIED TO:
  - BELLCORE GR-63-CORE, 4.4.1-2
  - CSA 22.2 NO. 70950-1
- 2 - APPROX. WEIGHT: 331 LBS
- 3 - SEISMIC CAPACITY: 883 LBS
- 4 - STATIC CAPACITY: 3000 LBS
- 5 - FINISH: TEXTURED POWDER COAT
- 6 - CABINET MUST BE ANCHORED USING 4 SEISMIC RATED ANCHORS (NOT INCLUDED).
- 7 - FRAME MAT'L: 11 GA. (.120") COLD ROLLED STEEL
- 8 - ALSO INCLUDES (NOT SHOWN):
  - 100 HEAVY DUTY CAGE-NUTS 10-32
  - 100 TRUSS HEAD SCREWS 10-32 x 5/8 BLACK

APPROVED BY:  
T.M.

**Electron** PROUDLY  
METAL MANUFACTURED  
IN CANADA.

PROPRIETARY AND CONFIDENTIAL  
THE INFORMATION CONTAINED IN THIS  
DRAWING IS THE SOLE PROPERTY OF  
ELECTRON METAL A.I.G. INC. ANY  
REPRODUCTION IN PART OR AS A WHOLE  
WITHOUT THE WRITTEN PERMISSION OF  
A.I.G. ELECTRON METAL INC IS PROHIBITED.

DRAWN BY:  
E.D.  
CHECKED BY:  
E.D.

Title:  
SEISMIC CABINET V4 42RU (19 x 73.5) x 30  
24 x 79.5 x 30

FILE:  
CabZ4\_19x73x30\_2529-005\_Eng

PART NO.:  
CBZK14-194230

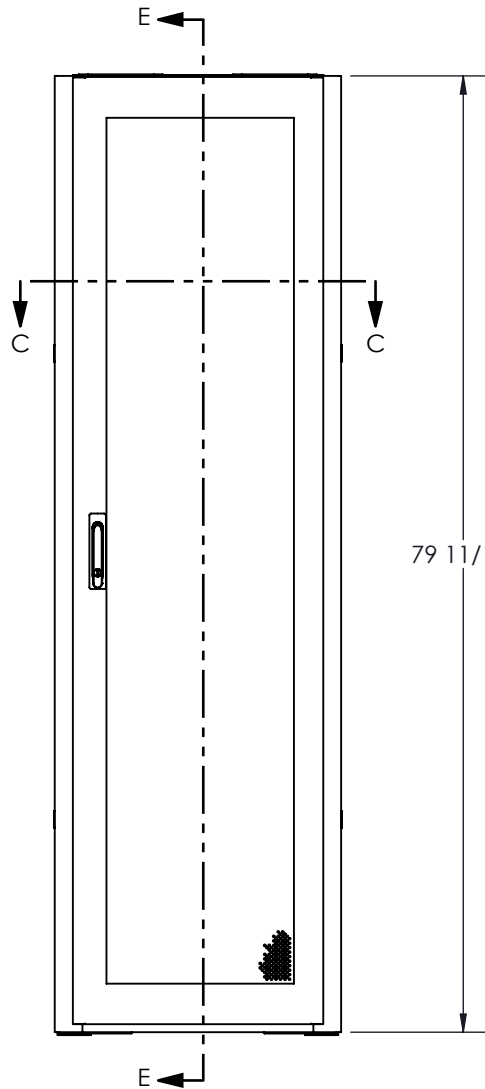
DRAWING NO.:  
2529-005

REV.:  
A

SCALE:  
1:20

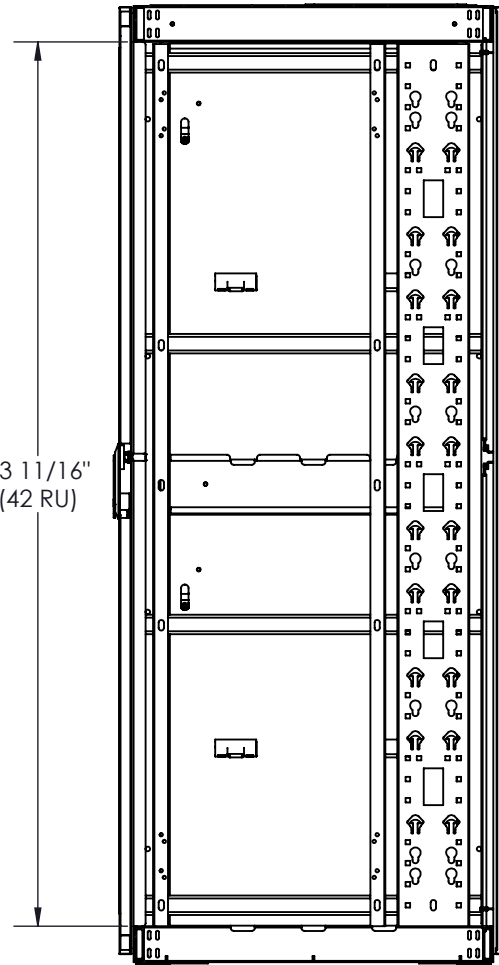
DATE:  
2019-07-08

SHEET:  
1 / 2

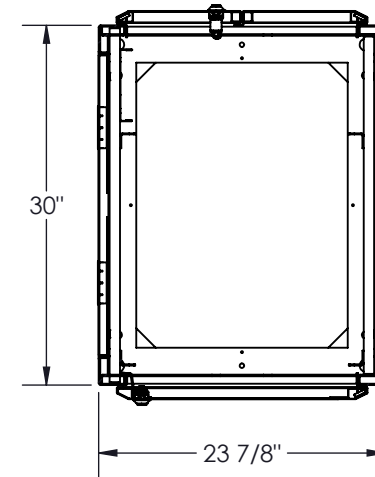


79 11/16"

73 11/16"  
(42 RU)



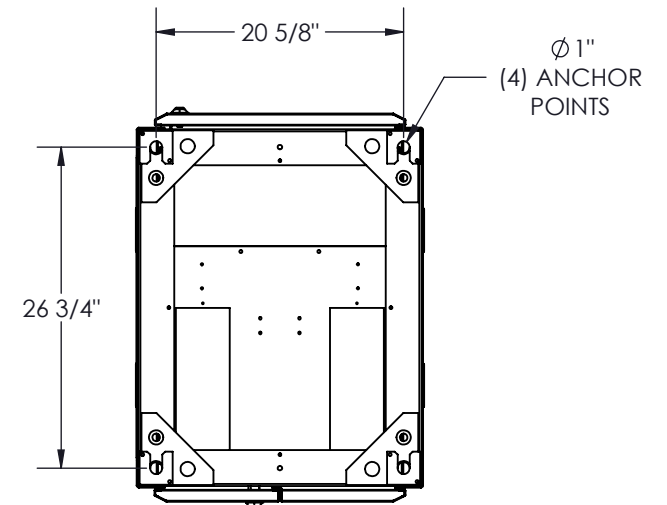
SECTION E-E



30"

23 7/8"

SECTION C-C



26 3/4"

20 5/8"

Ø 1"  
(4) ANCHOR POINTS

BOTTOM VIEW

**Electron METAL** PROUDLY MANUFACTURED IN CANADA.

PROPRIETARY AND CONFIDENTIAL  
THE INFORMATION CONTAINED IN THIS DRAWING IS THE SOLE PROPERTY OF ELECTRON METAL A.I.G. INC. ANY REPRODUCTION IN PART OR AS A WHOLE WITHOUT THE WRITTEN PERMISSION OF A.I.G. ELECTRON METAL INC IS PROHIBITED.

APPROVED BY:  
T.M.

DRAWN BY:  
E.D.

CHECKED BY:  
E.D.

FILE:  
CabZ4\_19x73x30\_2529-005\_Eng

PART NO.:  
CBZK14-194230

Title:  
SEISMIC CABINET V4 42RU (19 x 73.5) x 30  
24 x 79.5 x 30

DRAWING NO.:  
2529-005

REV.:  
A

SCALE:  
1:16

DATE:  
2019-07-08

SHEET:  
2 / 2