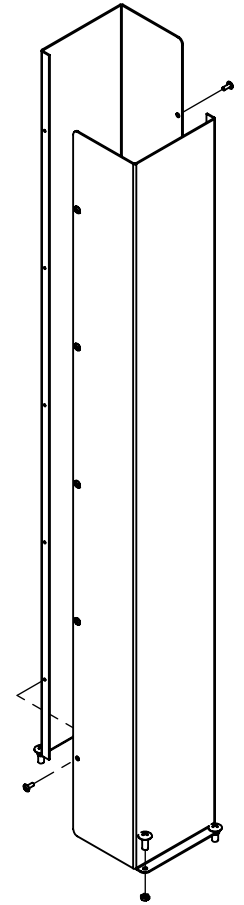
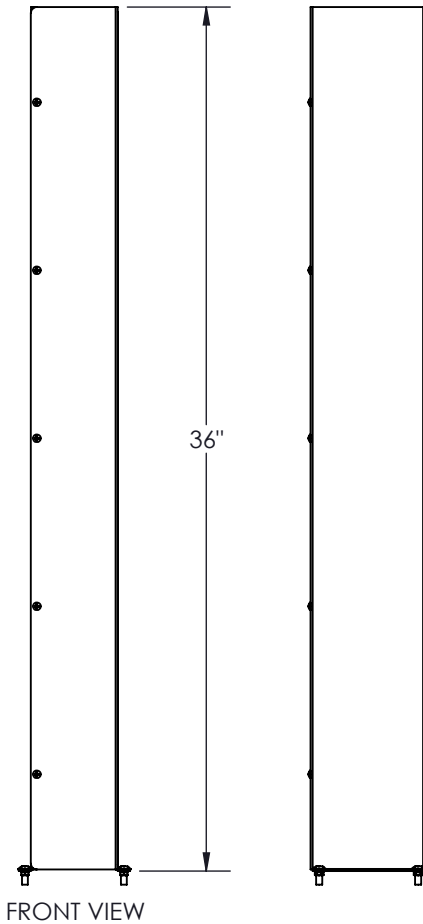
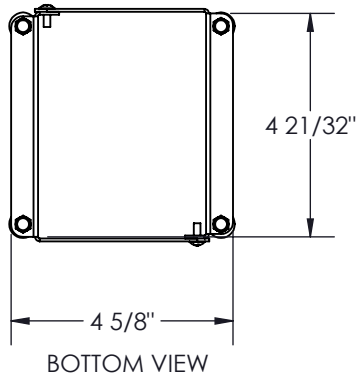
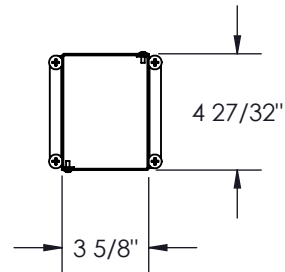


COLOR	PT# SUFFIX
BLACK	-BK
WHITE	-WH
GREY	-GY



NOTES:

- 1 - APPROX. WEIGHT: 13.6 LBS.
- 2 - FINISH: TEXTURE POWDER COAT
- 3 - MATERIALS:
- BODY: STEEL CRS GAUGE 16 (0.060")

RÉV.	DESCRIPTION	DATE	APPR.	INV.
RÉVISIONS				



PROPRIETARY AND CONFIDENTIAL
 THE INFORMATION CONTAINED IN THIS DRAWING IS THE SOLE PROPERTY OF ELECTRON METAL A.I.G. INC. ANY REPRODUCTION IN PART OR AS A WHOLE WITHOUT THE WRITTEN PERMISSION OF A.I.G. ELECTRON METAL INC IS PROHIBITED.

DRAWN BY:
E.D.
 CHECKED BY:
E.D.

Title:
CABLE CHIMNEY 4 x 4 x 36

FILE:
CBMCHM-043604

PART NO.:
CBMCHM-043604

DRAWING NO.: 1305022303	REV.: A	SCALE: 1:8	DATE: 2005-11-01	SHEET: 1 / 1
----------------------------	------------	---------------	---------------------	-----------------

APPROVED BY: