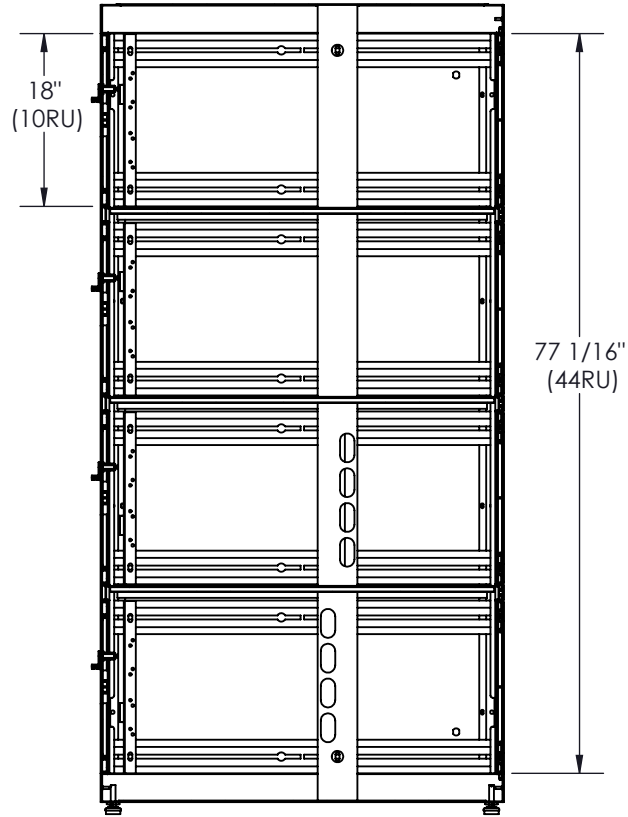
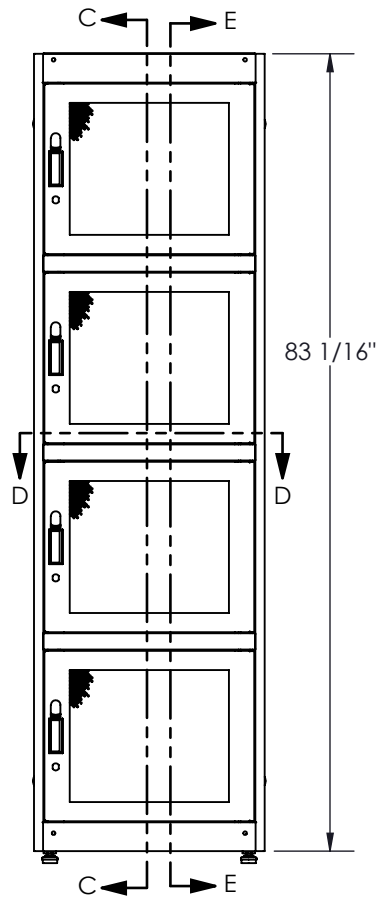


NO.	NOTE	DESCRIPTION	QTY
1	1305025851	FRAME 24 x 83 x 42 CO-LOC 4	1
2	1305025877 - CO-LOC 4 (77)	MOUNTING RAIL CAGE-NUTS 2.25"	8
3	1305026009	SIDE PANEL (77) x 42 CO-LOC	2
4	1712 - (21) x 42	VENTED BOTTOM COVER	1
5	1305021275 - (21) x 42	PERFORATED TOP COVER	1
6	1305026067	VERTICAL CABLE MGT (21 x 77) CO-LOC 4	2
7	1305025878	DOOR PERF. GRILL (21 x 77) CO-LOC 4	8
8	FB-4444 OHIO SLOTTED	LEVELLER, NEOPRENE BASE, SLOTTED	4

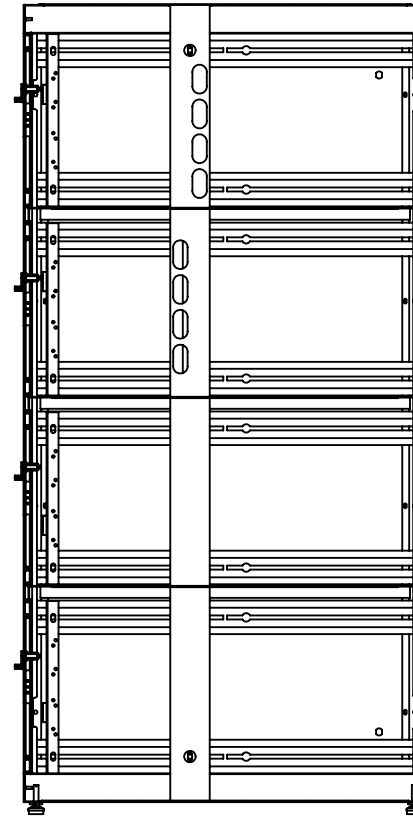


PROPRIETARY AND CONFIDENTIAL
 THE INFORMATION CONTAINED IN THIS DRAWING IS THE SOLE PROPERTY OF A.I.G. ELECTRON METAL INC. ANY REPRODUCTION IN PART OR AS A WHOLE WITHOUT THE WRITTEN PERMISSION OF A.I.G. ELECTRON METAL INC IS PROHIBITED.

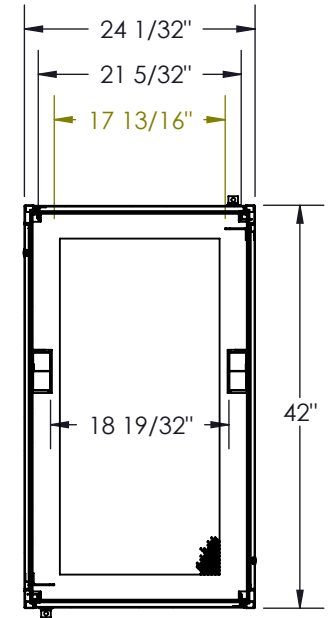
DRAWN BY: S.D.		Title: 4 SECTION CO-LOCATION (21 x 77) x 42			
CHECKED BY: E.B.					
PROJECT: Cabinets\CoLocFlushDoors\CoLoc4			FILE: Kit21x77x42_1305026106_Eng		
PART NO.:	DRAWING NO.:	REV.:	SCALE:	DATE:	SHEET:
CBC4KT-214442	1305026106	A	1:20	2008-11-21	1 / 2



SECTION C-C



SECTION E-E



SECTION D-D



PROPRIETARY AND CONFIDENTIAL
 THE INFORMATION CONTAINED IN THIS DRAWING IS THE SOLE PROPERTY OF A.I.G. ELECTRON METAL INC. ANY REPRODUCTION IN PART OR AS A WHOLE WITHOUT THE WRITTEN PERMISSION OF A.I.G. ELECTRON METAL INC IS PROHIBITED.

DRAWN BY: S.D.		Title: 4 SECTION CO-LOCATION (21 x 77) x 42				
CHECKED BY: E.B.		PROJECT: Cabinets\CoLocFlushDoors\CoLoc4			FILE: Kit21x77x42_1305026106_Eng	
PART NO.:	DRAWING NO.:	REV.:	SCALE:	DATE:	SHEET:	
CBC4KT-214442	1305026106	A	1:20	2008-11-21	2 / 2	