

NO.	DWG/SUPPLIER	CFG/SUPPLIER NO.	DESCRIPTION	QTY
1	2665-001	Default	FRAME 24 x 83 x 42 SERIES 4000 COLOC 4	1
2	1305025877	(17.5")	MOUNTING RAIL CAGE-NUTS 2.25"	16
3	2678-008	Default	VERICAL CABLE MGT (21 x 77) x 12 LOWER	1
4	2678-010	Default	VERTICAL CABLE MGT (21 x 77) x 12 UPPER	1
5	2028-023	Default	PDU ACCESS PLATE RH	3
6	2028-023	Default	PDU ACCESS PLATE LH	3
7	3494-003	Default	PDU SUPPORT (77") RH	1
8	3494-003	Default	PDU SUPPORT (77") LH	1
9	3494-001	(77")	PDU SUPPORT COVER	2
10	3494-005	Default	PDU CABLE DROP FRONT, RH	1
11	3494-005	Default	PDU CABLE DROP FRONT, LH	1
12	3494-004	Default	PDU CABLE DROP REAR, RH	1
13	3494-004	Default	PDU CABLE DROP REAR, LH	1
14	3472-001	Default	PERF. DOOR (21 x 77) COMBINATION	4
15	3474-001	Default	SPLIT DOOR PERF. RH (21 x 77) COLOC 4	4
16	3477-003	Default	SPLIT DOOR PERF. LH (21 x 77) COLOC 4	4
17	2028-010	(21) x 42	TOP COVER COLOC	1
18	2811-005	Default	SPLIT SIDE PANEL (77) x 42 COLOC	2
19	OHIO NUT & BOLT	FHP 4441	LEVELLER, STEEL BASE 1/2-13, HEX. END	4

COLOUR	PT# SUFFIX
BLACK	-BK
WHITE	-WH
GREY	-GY

NOTES:

- 1 - RU MARKINGS ON MOUNTING RAILS.
- 2 - 4 PKG 24 CAGE-NUTS 10-32 SHIPPED LOOSE.
- 3 - 4 PKG 24 TRUSS HEAD SCREWS 10-32 x 5/8 SHIPPED LOOSE.
- 4 - APPROX. WEIGHT: 535 LBS.
- 5 - FINISH: TEXTURED POWDER COAT.
- 6 - CAPACITY: 3000 LBS
- 7 - COMBINATION LOCKS COME WITH OVERRIDE KEY
- 8 - USER MUST HAVE ACCESS TO BOTH UPPER AND LOWER SECTIONS TO REMOVE PDU ACCESS PLATES
- 9 - 1 SIDE PANEL NOT SHOWN FOR CLARITY

RÉV.	DESCRIPTION	DATE	APPR.	INV.
RÉVISIONS				

Electron METAL PROUDLY MANUFACTURED IN CANADA

CONFIDENTIAL
THE INFORMATION CONTAINED IN THIS DRAWING IS THE SOLE PROPERTY OF ELECTRON METAL A.I.G. INC. ANY REPRODUCTION IN PART OR AS A WHOLE WITHOUT THE WRITTEN PERMISSION OF A.I.G. ELECTRON METAL INC IS PROHIBITED.

DRAWN BY: E.D.
CHECKED BY: E.D.

FILE: Kit21x77x42_3470-001_Eng

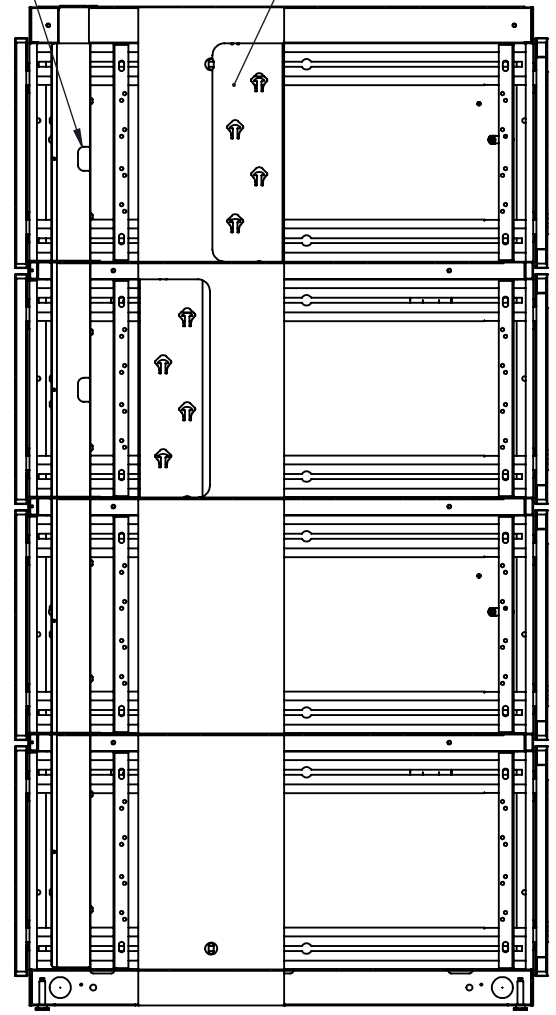
PART NO.: CBC4K4-214442

TITLE:
COLOC 4 SECTIONS (21 x 77) x 42
24 x 83 x 42

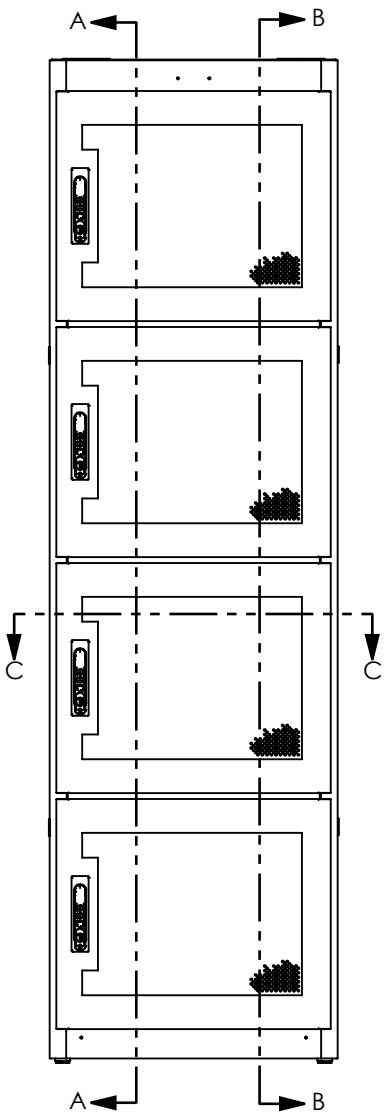
DWG NO.: 3470-001
REV.:
SCALE: 1:12
DATE: 2022-07-21
SHEET: 1 / 2

APPROVED BY: T.M.

PDU CORD EXIT
DATA CABLE ACCESS



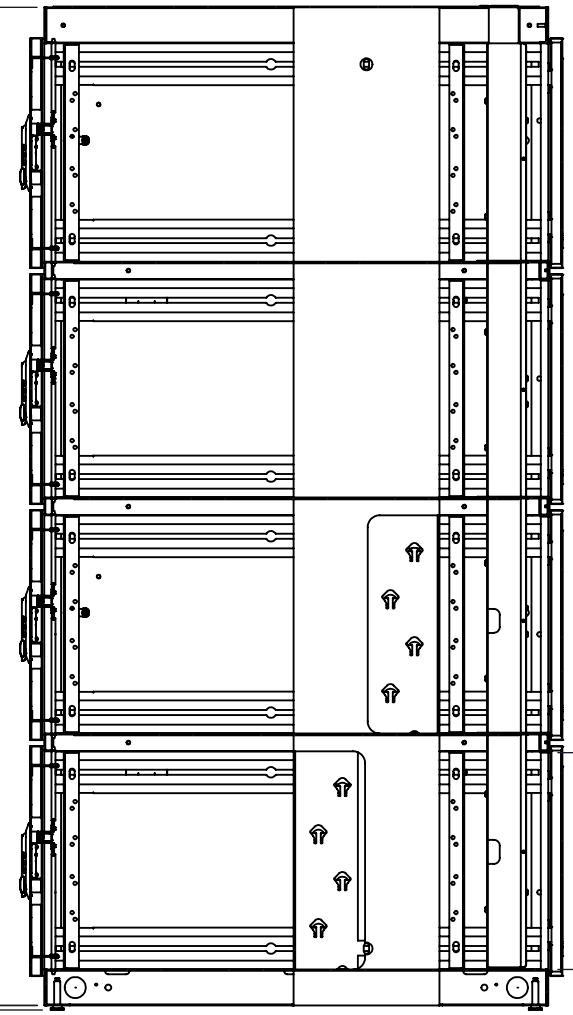
SECTION B-B



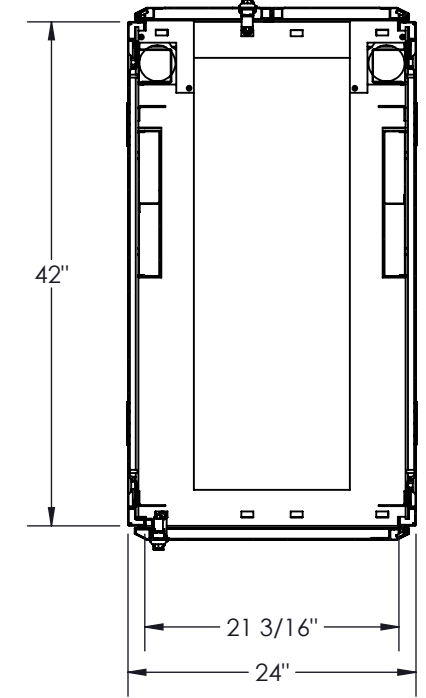
3/8" MIN.

83 3/16"

SECTION A-A



18 3/32" (10RU)



SECTION C-C

Electron METAL PROUDLY MANUFACTURED IN CANADA

CONFIDENTIAL
THE INFORMATION CONTAINED IN THIS DRAWING IS THE SOLE PROPERTY OF ELECTRON METAL A.I.G. INC. ANY REPRODUCTION IN PART OR AS A WHOLE WITHOUT THE WRITTEN PERMISSION OF A.I.G. ELECTRON METAL INC IS PROHIBITED.

APPROVED BY:
T.M.

DRAWN BY:
E.D.
CHECKED BY:
E.D.

TITLE:
COLOC 4 SECTIONS (21 x 77) x 42
24 x 83 x 42

FILE:
Kit21x77x42_3470-001_Eng

PART NO.:
CBC4K4-214442

DWG NO.:
3470-001

REV.
SCALE:
1:16

DATE:
2022-07-21

SHEET:
2 / 2