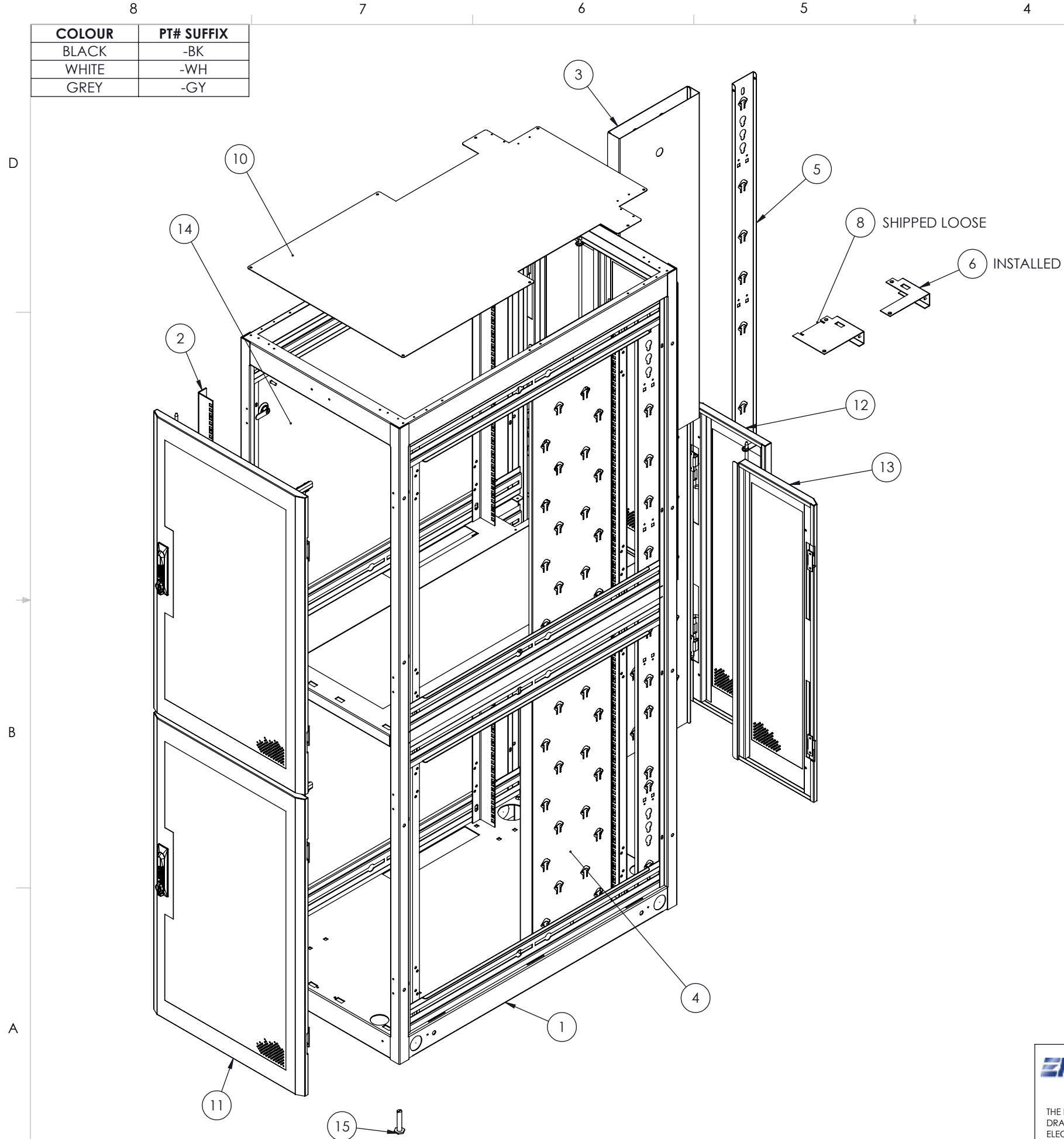


COLOUR	PT# SUFFIX
BLACK	-BK
WHITE	-WH
GREY	-GY



NO.	DWG/SUPPLIER	CFG/SUPPLIER NO.	DESCRIPTION	QTY
1	2707-002	Default	FRAME 24 x 83 x 42 SERIES 4000 COLOC 2	1
2	1305025877	(36.75")	MOUNTING RAIL CAGE-NUTS 2.25"	8
3	2519-001	Default	VERTICAL CABLE MGT (21 x 77) x 12 BOTTOM	1
4	2519-003	Default	VERTICAL CABLE MGT (21 x 77) x 12 TOP	1
5	3245-001	(77")	PDU SUPPORT	2
6	2028-023	Default	PDU ACCESS PLATE RH	1
7	2028-023	Default	PDU ACCESS PLATE LH	1
8	2028-022	Default	PDU ACCESS COVER PLATE RH	1
9	2028-022	Default	PDU ACCESS COVER PLATE LH	1
10	2028-010	(21) x 42	TOP COVER COLOC	1
11	2520-001	Default	PERF. DOOR (21 x 77) COMBINATION	2
12	2737-001	Default	SPLIT DOOR PERF. RH (21 x 77) COLOC 2	2
13	2721-004	Default	SPLIT DOOR PERF. LH (21 x 77) CO-LOC 2	2
14	2811-005	Default	SPLIT SIDE PANEL (77) x 42 COLOC	2
15	OHIO NUT & BOLT	FH 4440	LEVELLER, STEEL BASE 1/2-13	4

NOTES:

- 1 - RU MARKINGS ON MOUNTING RAILS.
- 2 - 2 PKG 50 CAGE-NUTS 10-32 SHIPPED LOOSE.
- 3 - 2 PKG 50 TRUSS HEAD SCREWS 10-32 x 5/8 SHIPPED LOOSE.
- 4 - APPROX. WEIGHT: 406 LBS.
- 5 - FINISH: TEXTURED POWDER COAT.
- 6 - CAPACITY: 3000 LBS
- 7 - COMBINATION LOCKS COME WITH OVERRIDE KEY
- 8 - USER MUST HAVE ACCESS TO BOTH UPPER AND LOWER SECTIONS TO REMOVE PDU ACCESS PLATES
- 9 - 1 SIDE PANEL NOT SHOWN FOR CLARITY

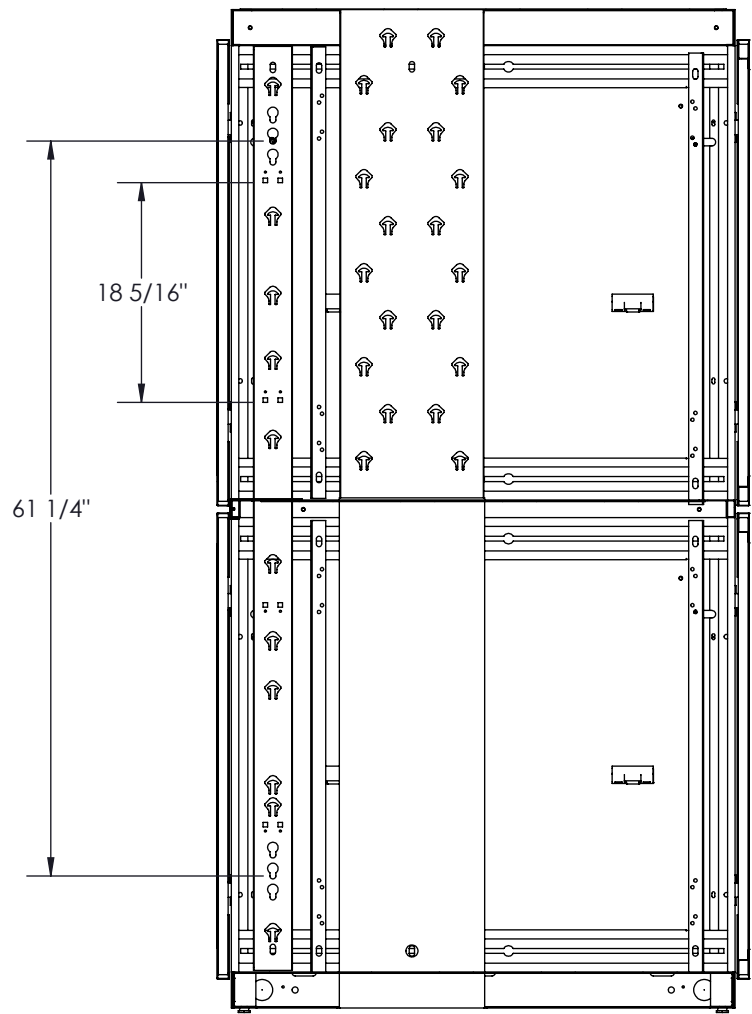
<p>Electron METAL PROUDLY MANUFACTURED IN CANADA</p>	DRAWN BY: T.M.	TITLE: COLOC 2 SECTIONS (21 x 77) x 42 24 x 83 x 42				
	CHECKED BY: E.D.	PROJECT: G:\SWDwgs\Cabinets\CoLoc4000\CoLoc2\Kits\		FILE: Cab4000Colo2Section21x77x42_2518-002_Eng		
CONFIDENTIAL THE INFORMATION CONTAINED IN THIS DRAWING IS THE SOLE PROPERTY OF ELECTRON METAL A.I.G. INC. ANY REPRODUCTION IN PART OR AS A WHOLE WITHOUT THE WRITTEN PERMISSION OF A.I.G. ELECTRON METAL INC IS PROHIBITED.	PART NO.: CBC2K4-214442	DWG NO.: 2518-002	REV.: D	SCALE: 1:12	DATE: 2018-11-30	SHEET: 1/2

APPROVED BY:
E.D.

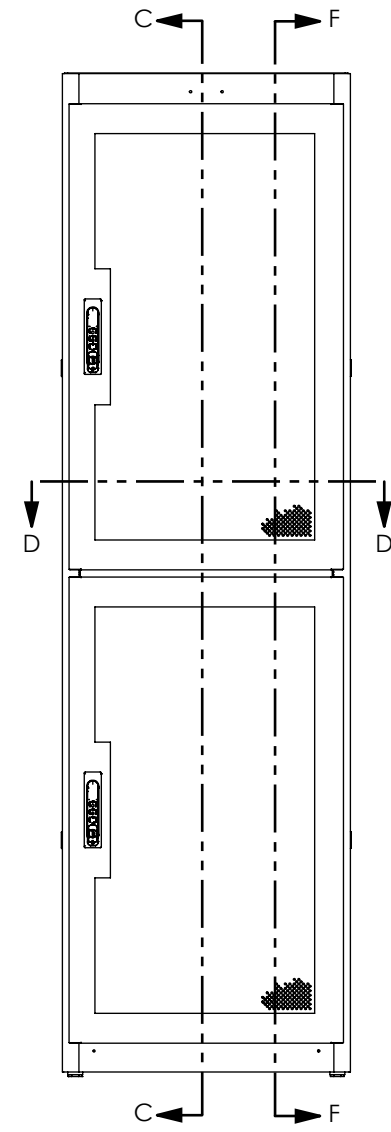
8 7 6 5 4 3 2 1

D
B
A

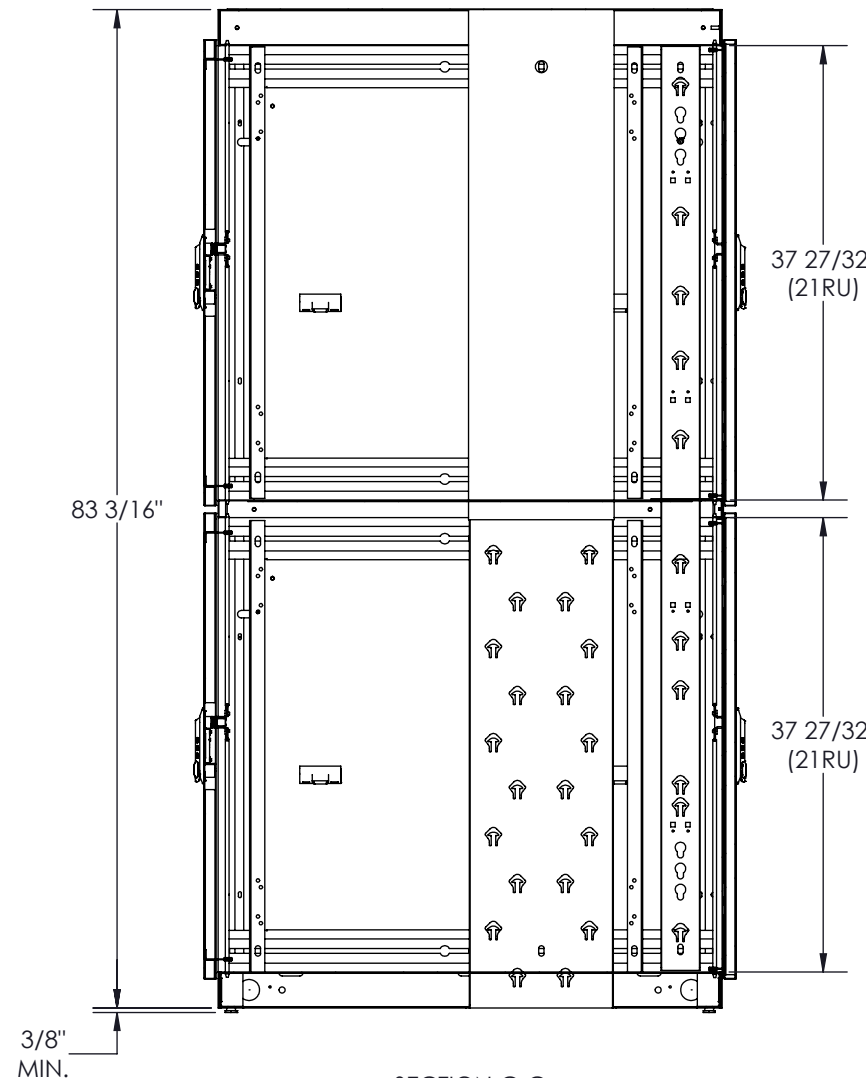
D
C
B



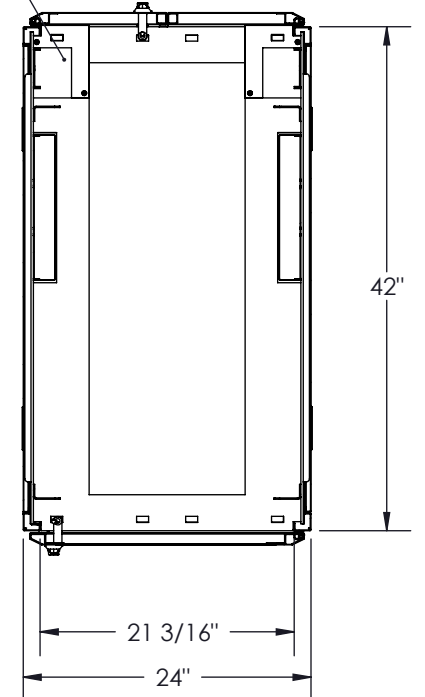
SECTION F-F



SECTION C-C



REMOVABLE PLATE FOR INSTALLATION OF FULL HEIGHT PDU



SECTION D-D

Electron METAL PROUDLY MANUFACTURED IN CANADA

CONFIDENTIAL
THE INFORMATION CONTAINED IN THIS DRAWING IS THE SOLE PROPERTY OF ELECTRON METAL A.I.G. INC. ANY REPRODUCTION IN PART OR AS A WHOLE WITHOUT THE WRITTEN PERMISSION OF A.I.G. ELECTRON METAL INC IS PROHIBITED.

APPROVED BY:
E.D.

DRAWN BY:
T.M.
CHECKED BY:
E.D.

TITLE:
COLOC 2 SECTIONS (21 x 77) x 42
24 x 83 x 42

FILE:
Cab4000Colo2Section21x77x42_2518-002_Eng

PART NO.:
CBC2K4-214442

DWG NO.:
2518-002

REV:
D

SCALE:
1:16

DATE:
2018-11-30

SHEET:
2/2

G:\SWDwgs\Cabinets\CoLoc4000\CoLoc2\Kits\

8 7 6 5 4 3 2 1