

NO.	DWG/SUPPLIER	CFG/SUPPLIER NO.	DESCRIPTION	QTY
1		Default	FRAME 22 x 83 x 42 SERIES 4000 COLOC 1	1
2	1305021797	(77")	MOUNTING RAIL 1.25" CAGE-NUTS	4
3	3429-002	(12")	VERTICAL CABLE MGT 44RU (77)	2
4	3245-001	(77")	PDU SUPPORT	2
5	2028-010	(19) x 36	TOP COVER COLOC	1
6	3430-001	Default	PERF. DOOR (19 x 77) COMBINATION	1
7	2475-004	Default	SPLIT DOOR PERF. RH (19 x 77) COLOC 1	1
8	3434-004	Default	SPLIT DOOR PERF. LH (19 x 77) CO-LOC 1	1
9		Default	SIDE PANEL (77) X 42 WITH LOCKS	2
10	OHIO NUT & BOLT	FH 4440	LEVELLER, STEEL BASE 1/2-13	4

NOTES:

- 1 - RU MARKINGS ON MOUNTING RAILS.
- 2 - 1 PKG 100 CAGE-NUTS 10-32 SHIPPED LOOSE.
- 3 - 1 PKG 100 TRUSS HEAD SCREWS 10-32 x 5/8 SHIPPED LOOSE.
- 4 - APPROX. WEIGHT: 306 LBS.
- 5 - FINISH: TEXTURED POWDER COAT.
- 6 - CAPACITY: 3000 LBS
- 7 - COMBINATION LOCKS COME WITH OVERRIDE KEY

<p>PROUDLY MANUFACTURED IN CANADA</p> <p>CONFIDENTIAL THE INFORMATION CONTAINED IN THIS DRAWING IS THE SOLE PROPERTY OF ELECTRON METAL A.I.G. INC. ANY REPRODUCTION IN PART OR AS A WHOLE WITHOUT THE WRITTEN PERMISSION OF A.I.G. ELECTRON METAL INC IS PROHIBITED.</p>	DRAWN BY: CHECKED BY:	TITLE: COLOC 1 SECTION 44RU (19 x 77) x 42 22 x 83 x 42
	PROJECT: G:\SWDwgs\Cabinets\CoLoc4000\CoLoc1\Kits\	FILE: Cab4000Colo1Section INFORMATION DWG
APPROVED BY: T.M.	PART NO.: CBC1K4-194442	DWG NO.: REV. SCALE: N/S DATE: SHEET: 1/2

8 7 6 5 4 3 2 1

D

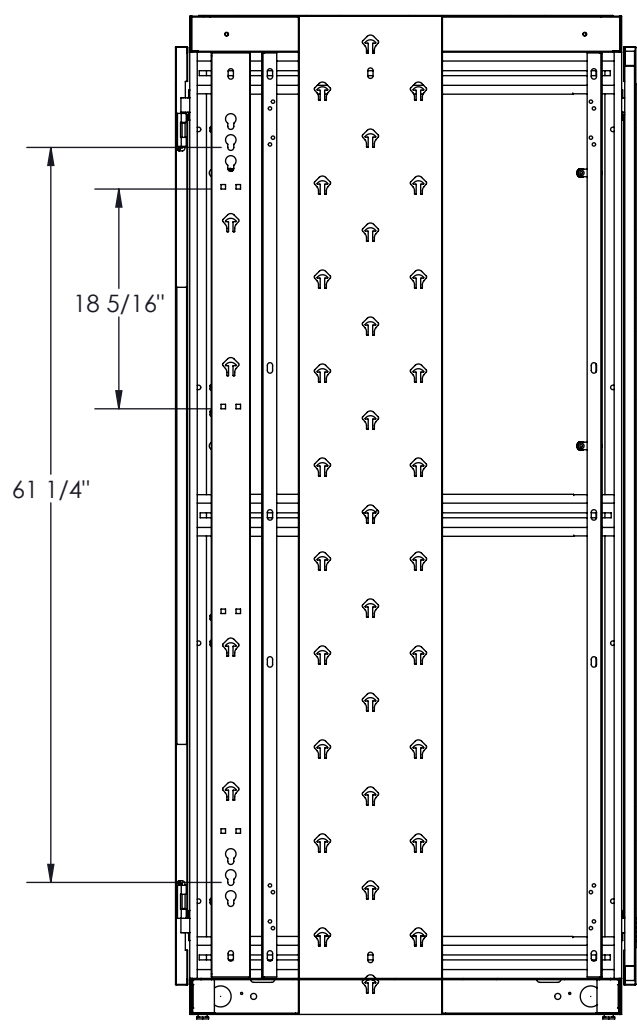
B

A

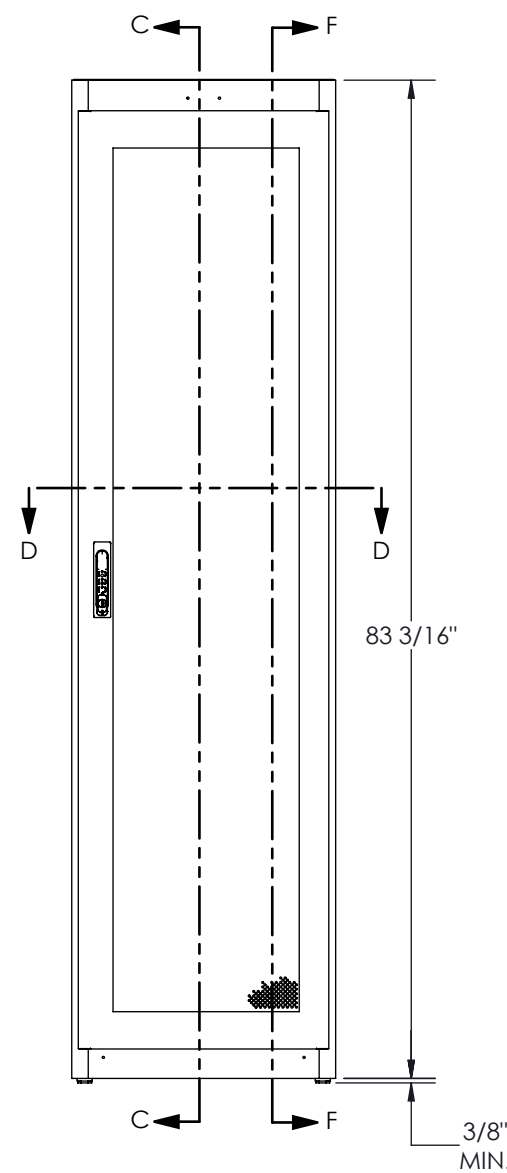
D

C

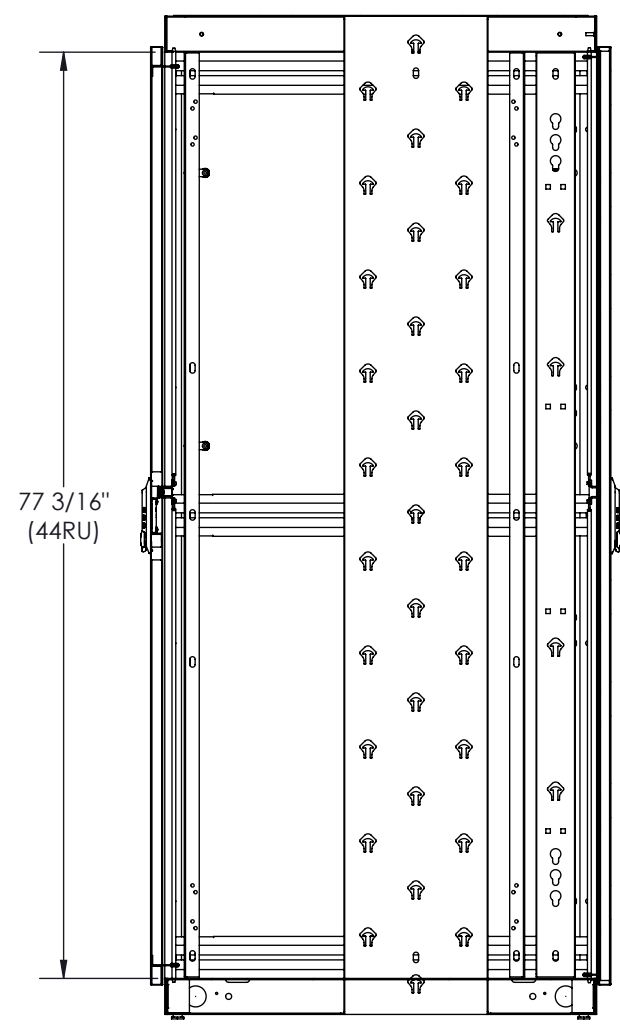
B



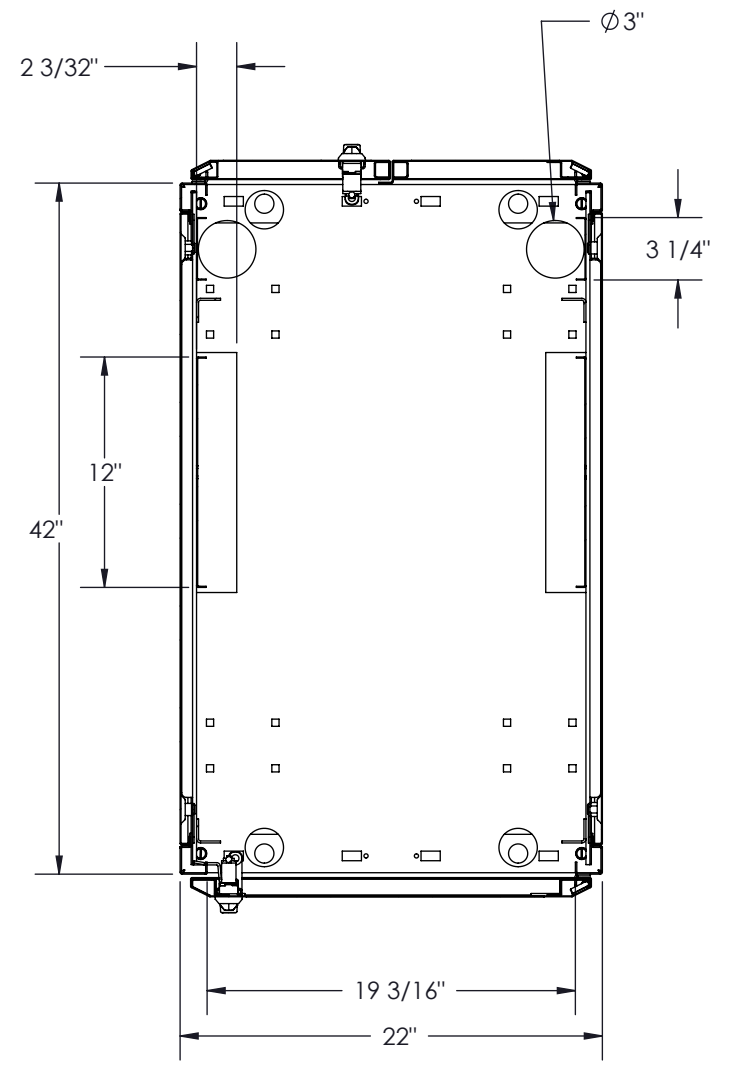
SECTION F-F



3/8"
MIN.



SECTION C-C



SECTION D-D
SCALE 1 : 10

<p>PROUDLY MANUFACTURED IN CANADA</p> <p>CONFIDENTIAL THE INFORMATION CONTAINED IN THIS DRAWING IS THE SOLE PROPERTY OF ELECTRON METAL A.I.G. INC. ANY REPRODUCTION IN PART OR AS A WHOLE WITHOUT THE WRITTEN PERMISSION OF A.I.G. ELECTRON METAL INC IS PROHIBITED.</p>	<p>DRAWN BY: E.D.</p>	<p>TITLE: COLOC 1 SECTION 44RU (19 x 77) x 42 22 x 83 x 42</p>		
	<p>CHECKED BY: E.D.</p>			
	<p>APPROVED BY: T.M.</p>	<p>PROJECT: G:\SWDwgs\Cabinets\CoLoc4000\CoLoc1\Kits\</p>	<p>FILE: Cab4000Colo1Section INFORMATION DWG</p>	
	<p>PART NO.: CBC1K4-194436</p>	<p>DWG NO.:</p>	<p>SCALE: N/S</p>	<p>DATE:</p>

8 7 6 5 4 3 2 1