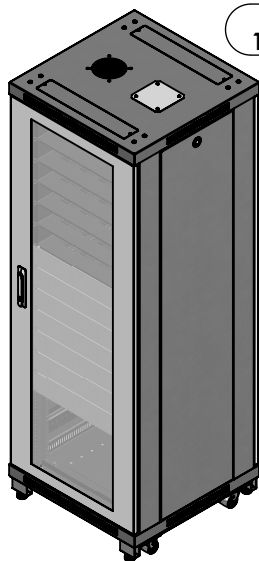


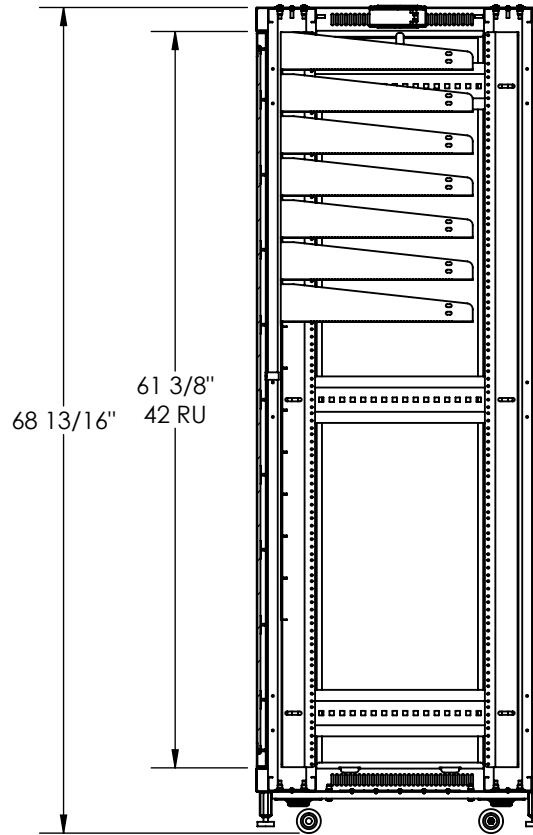
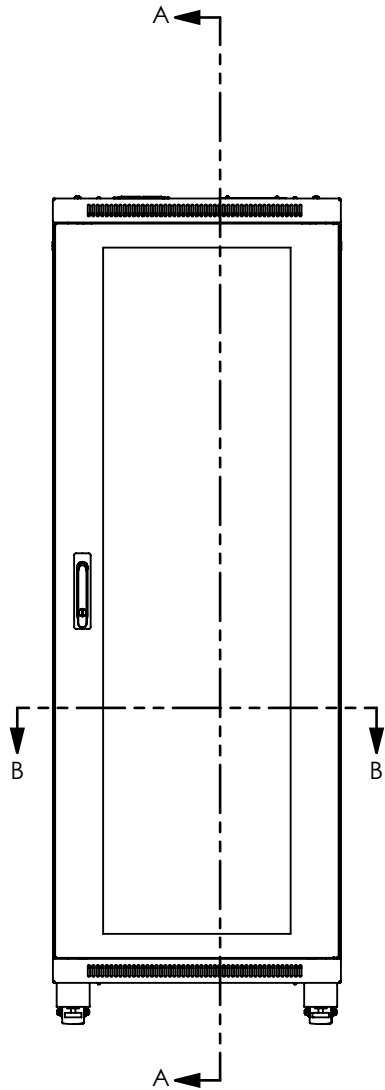
NO.	NOTE	DESCRIPTION	QTY
1	1756-001	AV FRAME 24 x 65.375 x 24	1
2	1305037528 - 35RU	MOUNTING RAIL TAPPING 10 - 32	4
3	134502 - (19 x 3.5)	FORMED STEEL BLANK PANEL	7
4	2143-001	FRONT MOUNT VENTED SHELF 2RU (3.5") LIP DOWN	7
5	1305037511	COVER	4
6	1305037512	BASE COVER	5
7	1759-001	SIDE PANEL (61.25) x 24	2
8	1757-001	SOLID DOOR (19 x 61.25)	1
9	1758-001	PLEXIGLAS DOOR (19 x 61.25)	1
10	1305038003	CASTER SUPPORT 24"	2
11	1515	4" FAN CUTOUT COVER PLATE	1
12	1305021224	50CFM FAN WITH GRILL & 3' CORD	1
13	1/4 - 20 x 1.25	SCREW PAN HEAD - PHILLIPS	8
14	1/4"	LOCK WASHER	8
15	8 - 32 x 1/4	THREAD-ROLLING SCREWS	22
16	MAT-03PO20IB8106YY	2" SWIVEL CASTER - 250 LBS	4
17	OHIO NUT & BOLT FH3339	LEVELLER, STEEL BASE 3/8-16	4
18	OHIO N&B - LC1062	Leveler Base Component	4

NOTE
1 - 24 TRUSS HEAD MACHINE SCREW QUADREX 10 - 32 x 1/2 (BLACK) SHIPPED LOOSE

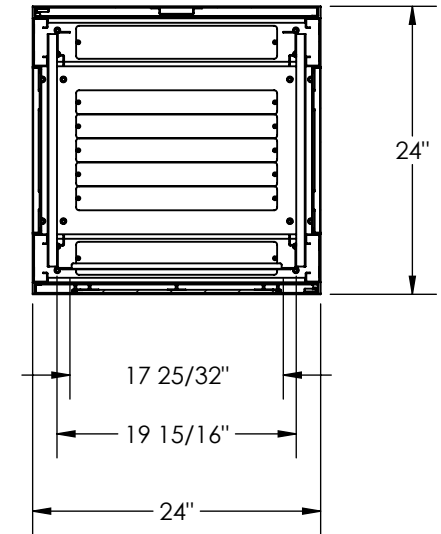


REV.	DESCRIPTION	DATE	APPR.
A	FAN, SHELF & LEVELER BASE	2017-12-20	TOM
REVISIONS			
DRAWN BY: R.B		Title: AV CABINET 35RU (19 x 61.25) x 24	
CHECKED BY: R.B			
PROJECT: Cabinets\AV\Ensembles		FILE: CabAudio19x61.25x24_1755-001_Eng	
PART NO.:	DRAWING NO.:	REV.:	SCALE:
CBAKIT-193524	1755-001	A	1:32
		DATE:	SHEET:
		2017-02-10	1 / 2

Electron METAL
PROPRIETARY AND CONFIDENTIAL
 THE INFORMATION CONTAINED IN THIS DRAWING IS THE SOLE PROPERTY OF A.I.G. ELECTRON METAL INC. ANY REPRODUCTION IN PART OR AS A WHOLE WITHOUT THE WRITTEN PERMISSION OF A.I.G. ELECTRON METAL INC IS PROHIBITED.



SECTION A-A
SCALE 1 : 16



SECTION B-B
SCALE 1 : 16



PROPRIETARY AND CONFIDENTIAL
THE INFORMATION CONTAINED IN THIS DRAWING IS THE SOLE PROPERTY OF A.I.G. ELECTRON METAL INC. ANY REPRODUCTION IN PART OR AS A WHOLE WITHOUT THE WRITTEN PERMISSION OF A.I.G. ELECTRON METAL INC IS PROHIBITED.

DRAWN BY: R.B		Title: AV CABINET 35RU (19 x 61.25) x 24				
CHECKED BY: R.B						
PROJECT: Cabinets\AV\Ensembles				FILE: CabAudio19x61.25x24_1755-001_Eng		
PART NO.: CBAKIT-193524		DRAWING NO.: 1755-001	REV.: A	SCALE: 1:32	DATE: 2017-02-10	SHEET: 2 / 2