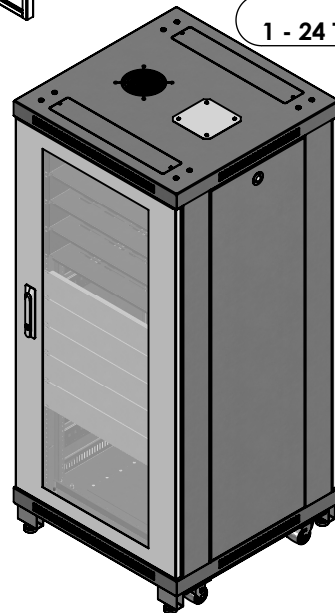


NO.	NOTE	DESCRIPTION	QTY
1	1305038661	AV FRAME 24 x 51.375 x 24	1
2	1305037528 - 27RU	MOUNTING RAIL TAPPING 10 - 32	4
3	134502 - (19 x 3.5)	FORMED STEEL BLANK PANEL	5
4	2143-001	FRONT MOUNT VENTED SHELF 2RU (3.5") LIP DOWN	5
5	1305037511	COVER	4
6	1305037512	BASE COVER	5
7	1305038665	SIDE PANEL (47.25) x 24	2
8	1305038664	SOLID DOOR (19 x 47.25)	1
9	1305038663	PLEXIGLAS DOOR (19 x 47.25)	1
10	1305038003	CASTER SUPPORT 24"	2
11	1515	4" FAN CUTOUT COVER PLATE	1
12	1305021224	50CFM FAN WITH GRILL & 3' CORD	1
13	1/4 - 20 x 1.25	SCREW PAN HEAD - PHILLIPS	8
14	1/4"	LOCK WASHER	8
15	8 - 32 x 1/4	THREAD-ROLLING SCREWS	22
16	MAT-03PO20IB8106YY	2" SWIVEL CASTER - 250 LBS	4
17	OHIO NUT & BOLT FH3339	LEVELLER, STEEL BASE 3/8-16	4
18	OHIO N&B - LC1062	Leveler Base Component	4

NOTE
 1 - 24 TRUSS HEAD MACHINE SCREW QUADREX 10 - 32 x 1/2 (BLACK) SHIPPED LOOSE

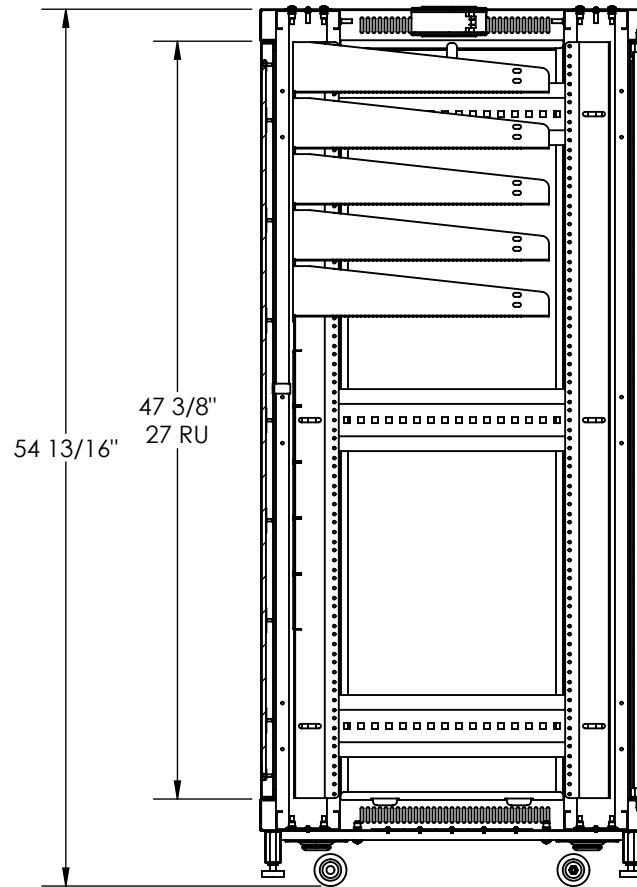
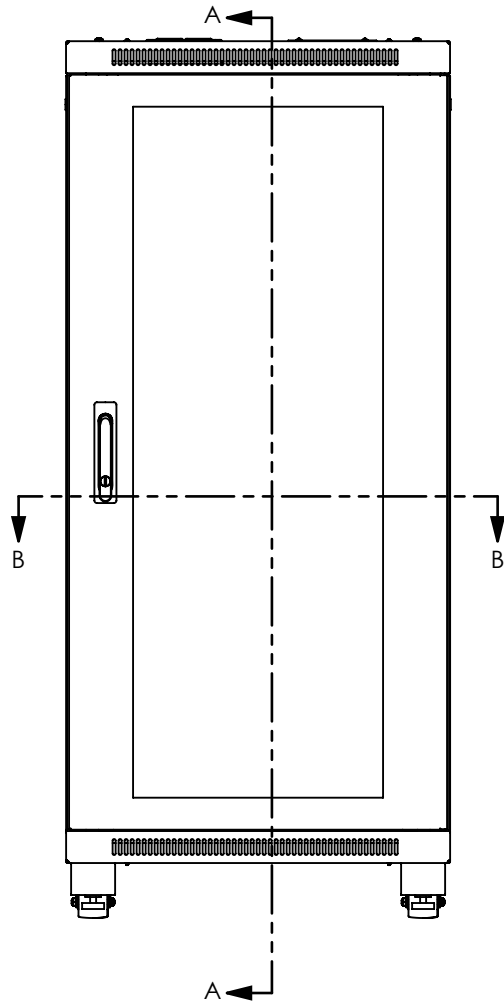


A	FAN, SHELF & LEVELER BASE	2017-12-20	TOM
REV.	DESCRIPTION	DATE	APPR.
REVISIONS			

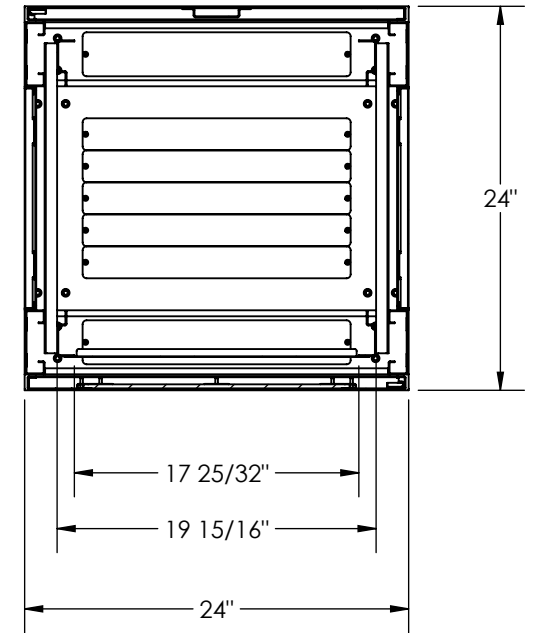


PROPRIETARY AND CONFIDENTIAL
 THE INFORMATION CONTAINED IN THIS DRAWING IS THE SOLE PROPERTY OF A.I.G. ELECTRON METAL INC. ANY REPRODUCTION IN PART OR AS A WHOLE WITHOUT THE WRITTEN PERMISSION OF A.I.G. ELECTRON METAL INC IS PROHIBITED.


DRAWN BY: R.B	Title: AV CABINET 27RU (19 x 47.25) x 24		
CHECKED BY: R.B	PROJECT: Cabinets\AV\Ensembles	FILE: CabAudio19x47.25x24_1305038660_Eng	
PART NO.: CBAKIT-192724	DRAWING NO.: 1305038660	REV.: A	SCALE: 1:32
		DATE: 2016-09-15	SHEET: 1 / 2



SECTION A-A
SCALE 1 : 12



SECTION B-B
SCALE 1 : 12

 <p>PROPRIETARY AND CONFIDENTIAL THE INFORMATION CONTAINED IN THIS DRAWING IS THE SOLE PROPERTY OF A.I.G. ELECTRON METAL INC. ANY REPRODUCTION IN PART OR AS A WHOLE WITHOUT THE WRITTEN PERMISSION OF A.I.G. ELECTRON METAL INC IS PROHIBITED.</p>	DRAWN BY: R.B	Title: AV CABINET 27RU (19 x 47.25) x 24				
	CHECKED BY: R.B					
	PROJECT: Cabinets\AV\Ensembles	FILE: CabAudio19x47.25x24_1305038660_Eng				
	PART NO.: CBAKIT-192724	DRAWING NO.: 1305038660	REV.: A	SCALE: 1:32	DATE: 2016-09-15	SHEET: 2 / 2