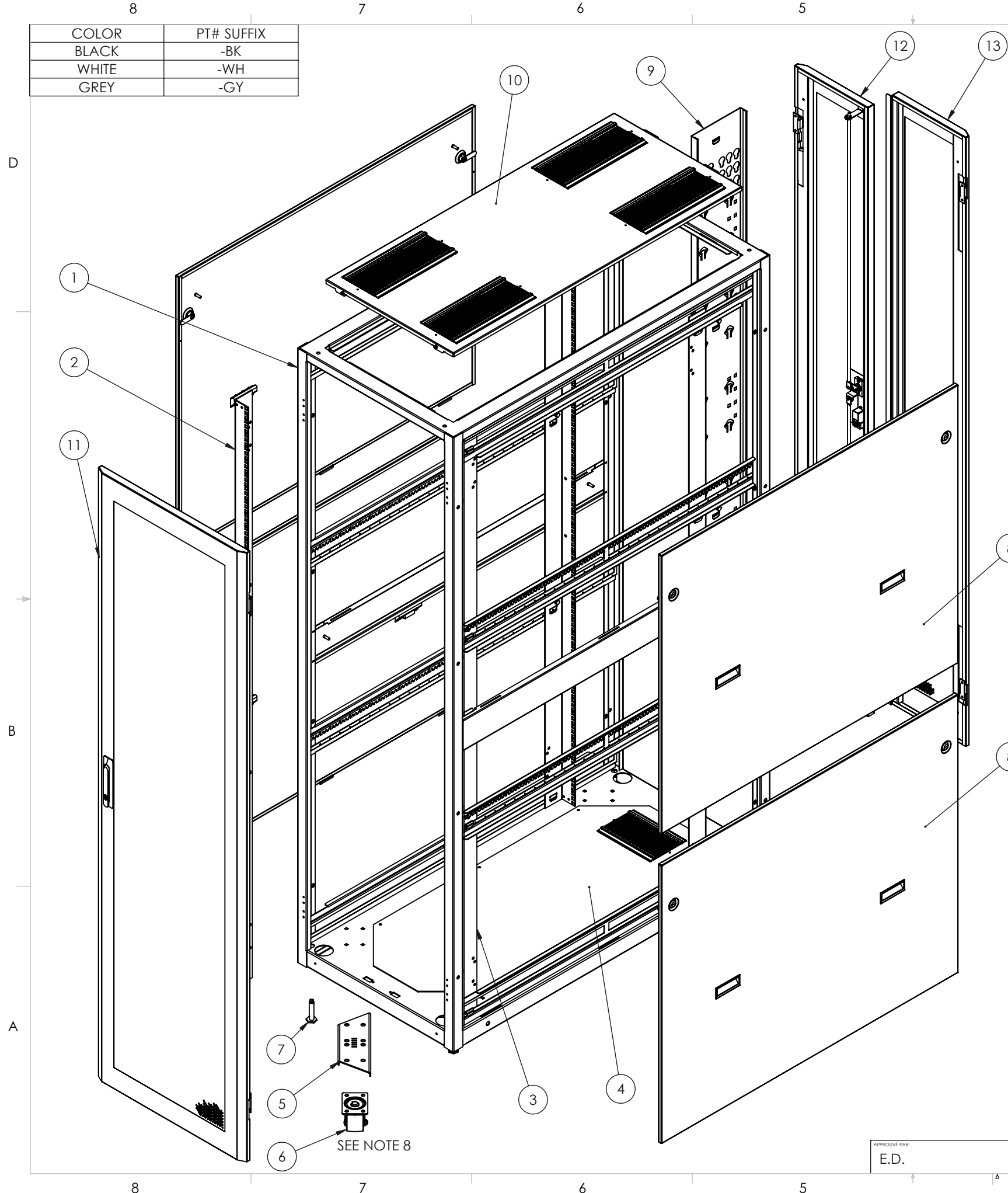


COLOR	PT# SUFFIX
BLACK	-BK
WHITE	-WH
GREY	-GY



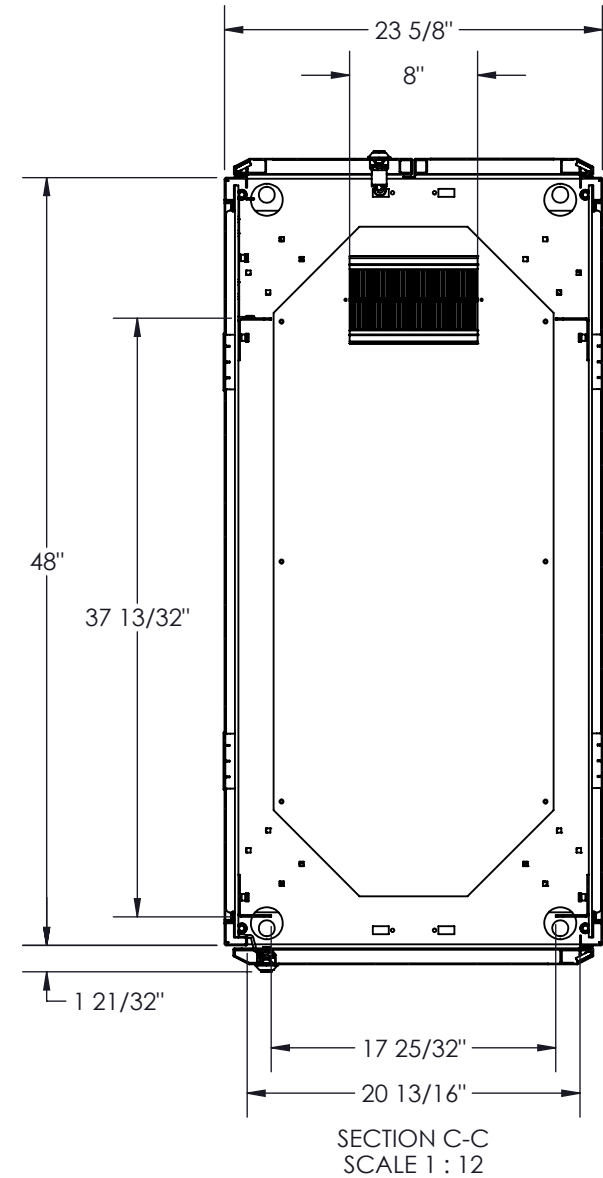
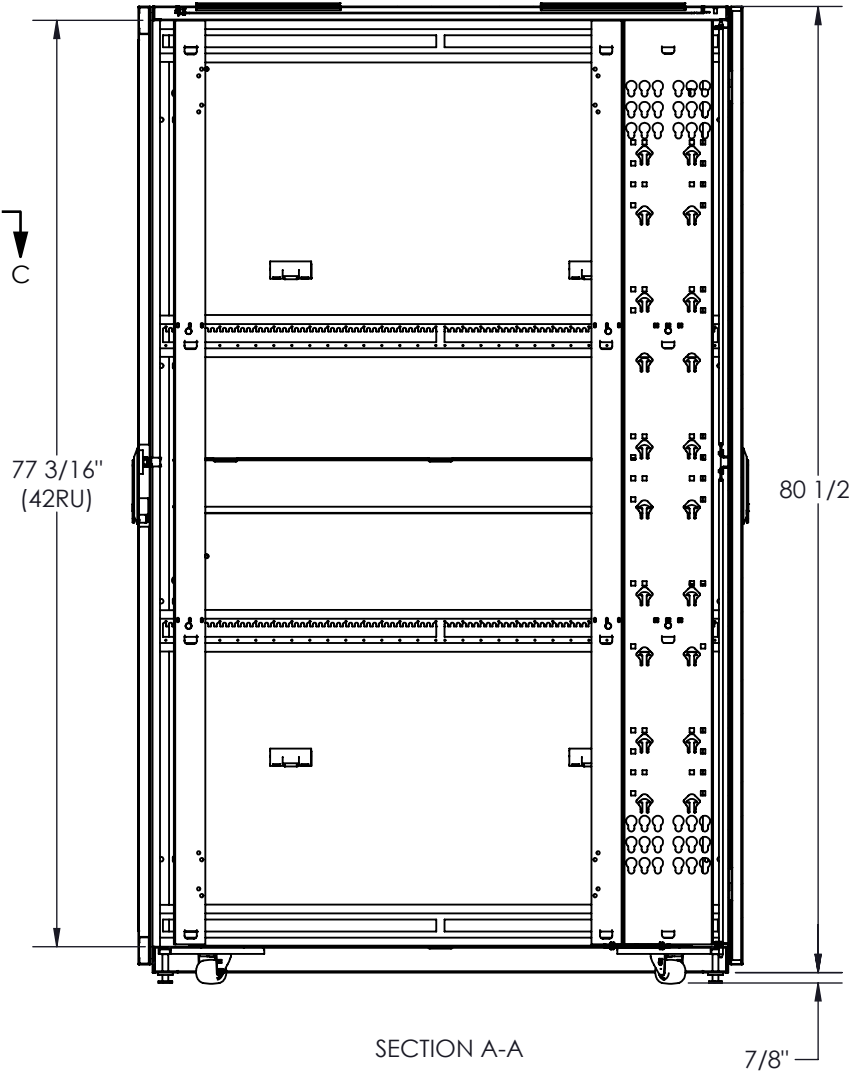
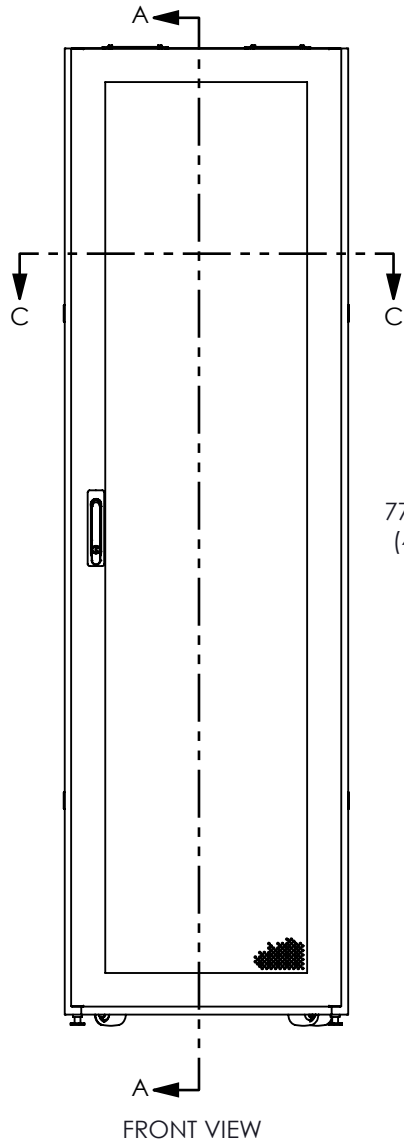
NO.	DWG/SUPPLIER	CFG/SUPPLIER NO.	DESCRIPTION	QTY
1	3222-007	Default	A5000 FRAME 44RU (21 x 77) x 48	1
2	3189-006	Default	A5000 MTG RAIL (77) ASS'Y RH	2
3	3189-007	Default	A5000 MTG RAIL (77) ASS'Y LH	2
4	2114-003	Default	BOTTOM COVER WITH DBL BRUSH 4 x 8 - 48D	1
5	3236-001	Default	A5000 CASTER PLATE	4
6	03PO201B8106YY	Default	2" SWIVEL CASTER - 250 LBS	4
7	OHIO NUT & BOLT	FHP 4441	LEVELLER, STEEL BASE 1/2-13, HEX. END	4
8	2368-004	Default	SPLIT SIDE PANEL 44RU (77) x 48 LOCKS	2
9	3191-015	Default	A5000 U.A.C. 42RU (77) x 7.5 ASS'Y	1
10	3639-001	Default	TOP COVER (21) x 48 WITH BRUSH	1
11	3180-006	Default	A5000 PERFORATED DOOR (21 x 77)	1
12	3183-009	Default	A5000 SPLIT DOOR PERFORATED RH (21 x 77)	1
13	3183-008	Default	A5000 SPLIT DOOR PERFORATED L.H. (21 x 77)	1

NOTES:

- 1 - RU DECALS ON HORIZONTAL RAILS.
- 2 - RU MARKINGS PRINTED ON VERTICAL RAILS.
- 3 - 100 CAGE-NUTS HEAVY DUTY (TINNERMAN)
- 4 - 100 SCREWS 10-32 x 5/8 BLACK
- 5 - 4 GANGING PLATES
- 6 - ESTIMATED WEIGHT: 336.65 LB
- 7 - FINISH: TEXTURED POWDER COAT
- 8 - FASTEN CASTERS USING:
 - 1/4-20 x 3/4 ELEVATOR BOLTS
 - 1/4" FLAT WASHERS
 - 1/4-20 K-LOC NUTS

REV.	DESCRIPTION	DATE	APPR.	STOCK
REVISIONS				

<p>FABRIQUÉ AVEC FIERTÉ AU QUÉBEC.</p> <p>CONFIDENTIEL L'INFORMATION CONTENUE DANS CE DESSIN EST L'ENTIÈRE PROPRIÉTÉ D'ELECTRON METAL A.I.G. INC. TOUTE REPRODUCTION PARTIELLE OU EXHAUSTIVE SANS PERMISSION ÉCRITE D'ELECTRON METAL A.I.G. INC. EST INTERDITE.</p>	DESSINÉ PAR/DRAWN BY: M.W. VÉRIFIÉ PAR/CHECKED BY: NOT CHECKED	TITRE/TITLE: A5000 44RU (21 x 77) x 48 OVERALL DIMS: 23.625 x 80.5 x 48
	FICHER/FILE: A5000_21x77x48_3221-005	NO. DE PIÈCE/PART NO.: CB5KSV-214448
APPROUVÉ PAR: E.D.	REV./REV.: A	ÉCHELLE/SCALE: 1:12
	DATE: 2024/04/03	PAGE/SHEET: 1 / 2



Electron METAL PROUDLY MANUFACTURED IN CANADA.

PROPRIETARY AND CONFIDENTIAL
THE INFORMATION CONTAINED IN THIS DRAWING IS THE SOLE PROPERTY OF ELECTRON METAL A.I.G. INC. ANY REPRODUCTION IN PART OR AS A WHOLE WITHOUT THE WRITTEN PERMISSION OF A.I.G. ELECTRON METAL INC IS PROHIBITED.

DRAWN BY: M.W.
CHECKED BY: NOT CHECKED

FILE: A5000_21x77x48_3221-005

PART NO.: CB5KSV-214448

Title: A5000 44RU (21 x 77) x 48
OVERALL DIMS: 23.625 x 80.5 x 48

APPROVED BY: E.D.

DRAWING NO.: 3221-005

REV.: A

SCALE: 1:16

DATE: 2024/04/03

SHEET: 2 / 2