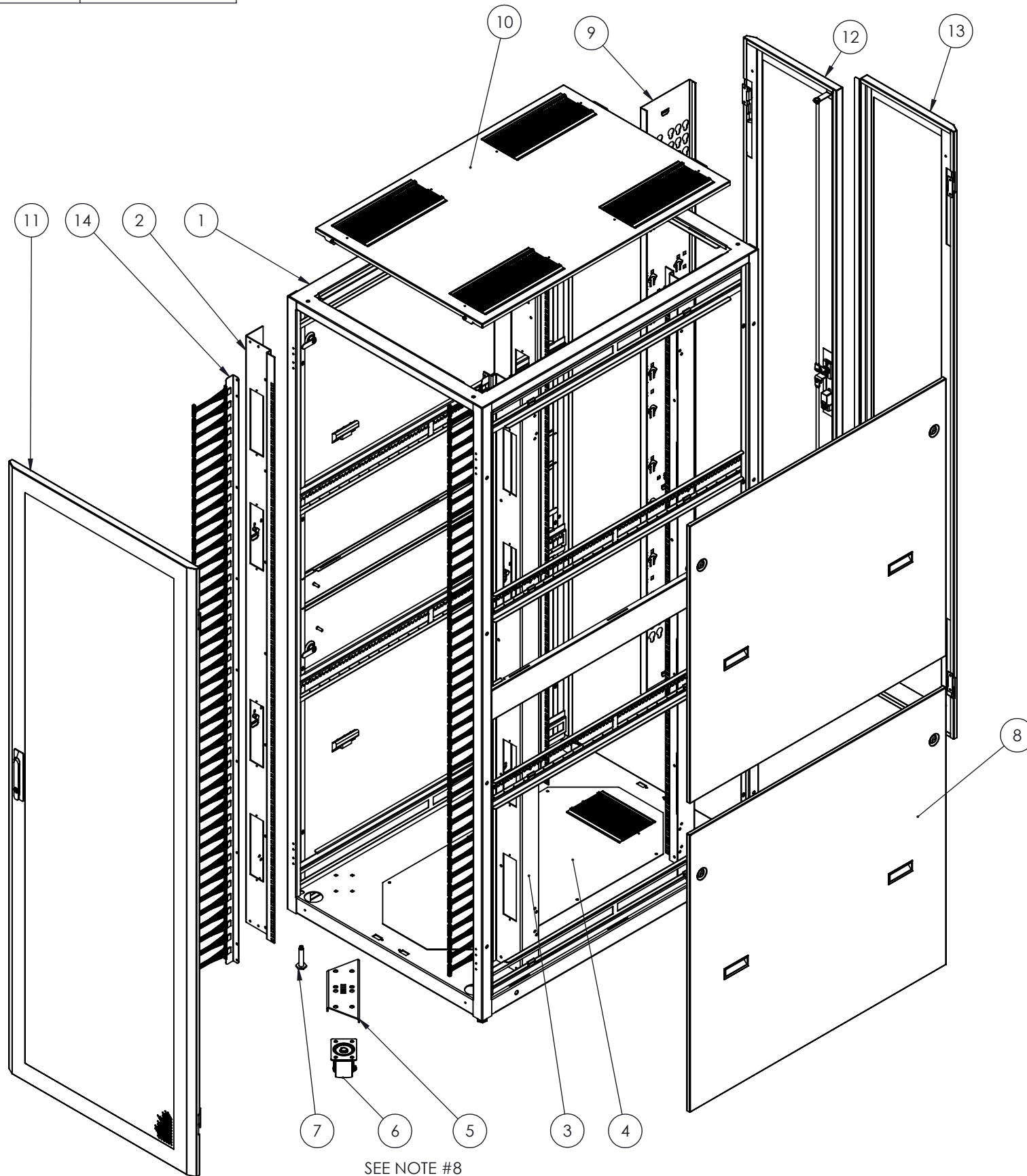


| COLOR | PT# SUFFIX |
|-------|------------|
| BLACK | -BK |
| WHITE | -WH |
| GREY | -GY |

D

B

A



SEE NOTE #8

| NO. | DWG/SUPPLIER | CFG/SUPPLIER NO. | DESCRIPTION | QTY |
|-----|-----------------|------------------|--|-----|
| 1 | 3222-014 | Default | FRAME 42RU (27 x 77) x 42 | 1 |
| 2 | 3189-018 | Default | MTG RAIL 5.063 x (77) ASS'Y RH | 2 |
| 3 | 3189-019 | Default | MTG RAIL 5.063 x (77) ASS'Y LH | 2 |
| 4 | 2114-005 | Default | BOTTOM COVER WITH DBL BRUSH 4 x 8 - 42D | 1 |
| 5 | 3236-001 | Default | A5000 CASTER PLATE | 4 |
| 6 | 03PO201B8106YY | Default | 2" SWIVEL CASTER - 250 LBS | 4 |
| 7 | OHIO NUT & BOLT | FHP 4441 | LEVELLER, STEEL BASE 1/2-13, HEX. END | 4 |
| 8 | 2368-017 | Default | SPLIT SIDE PANEL 44RU (77) x 42 LOCKS | 2 |
| 9 | 3191-015 | Default | A5000 U.A.C. 42RU (77) x 7.5 ASS'Y | 1 |
| 10 | 3639-005 | Default | TOP COVER (21) x 42 WITH BRUSH | 1 |
| 11 | 3180-008 | Default | A5000 PERFORATED DOOR (27 x 77) | 1 |
| 12 | 3183-012 | Default | A5000 SPLIT DOOR PERFORATED RH (27 x 77) | 1 |
| 13 | 3183-013 | Default | A5000 SPLIT DOOR PERFORATED L.H. (27 x 77) | 1 |
| 14 | 2151-001 | Default | HIGH DENSITY RAIL CABLE MGT 44RU (77) | 2 |

D

C

B

NOTES:

- 1 - RU DECALS ON HORIZONTAL RAILS.
- 2 - RU MARKINGS PRINTED ON VERTICAL RAILS.
- 3 - 100 CAGE-NUTS HEAVY DUTY (TINNERMAN)
- 4 - 100 SCREWS 10-32 x 5/8 BLACK
- 5 - 4 GANGING PLATES
- 6 - ESTIMATED WEIGHT: 392.70 LB
- 7 - FINISH: TEXTURED POWDER COAT
- 8 - FASTEN CASTERS USING:
 - 1/4-20 x 3/4 ELEVATOR BOLTS
 - 1/4" FLAT WASHERS
 - 1/4-20 K-LOC NUTS

| REV. | DESCRIPTION | DATE | APPR. | STOCK |
|-----------|-------------|------|-------|-------|
| REVISIONS | | | | |

| | | |
|---|---|---|
| <p>FABRIQUÉ AVEC FIERTÉ AU QUÉBEC.</p> <p>CONFIDENTIEL L'INFORMATION CONTENUE DANS CE DESSIN EST L'ENTIÈRE PROPRIÉTÉ D'ELECTRON METAL A.I.G. INC. TOUTE REPRODUCTION PARTIELLE OU EXHAUSTIVE SANS PERMISSION ÉCRITE D'ELECTRON METAL A.I.G. INC. EST INTERDITE.</p> | DESSINÉ PAR/DRAWN BY: M.W. | TITRE/TITLE: |
| | VÉRIFIÉ PAR/CHECKED BY: NOT CHECKED | A5000 44RU (27 x 77) x 42 OVERALL DIMS: 29.625 x 80.5 x 44.355 |
| FICHER/FILE: A5000_27x77x42_3221-009 | NO. DE PIÈCE/PART NO.: CB5KNW-274442 | NO. DESSIN/DWG NO.: 3221-009 |
| APPROUVÉ PAR: E.D. | REV./REV.: A | ÉCHELLE/SCALE: 1:14 |
| | DATE: 2024/04/04 | PAGE/SHEET: 1 / 2 |

G:\SWDwgs\Cabinets\SerA5000ProfBati\EnsembleCabinet\

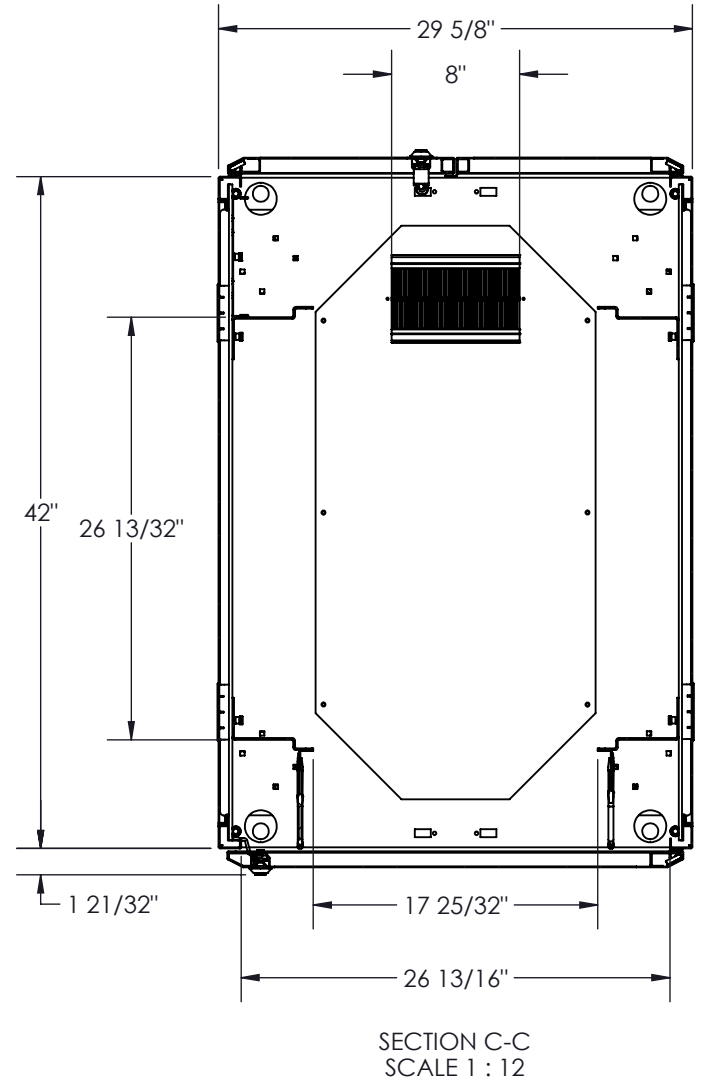
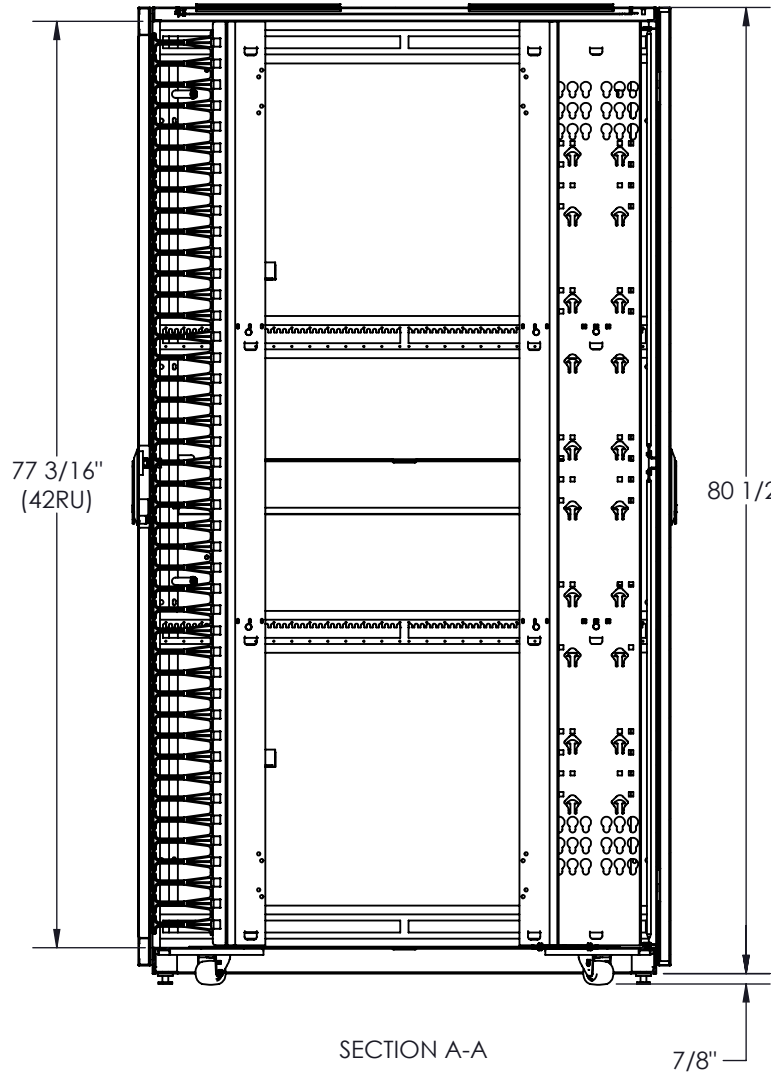
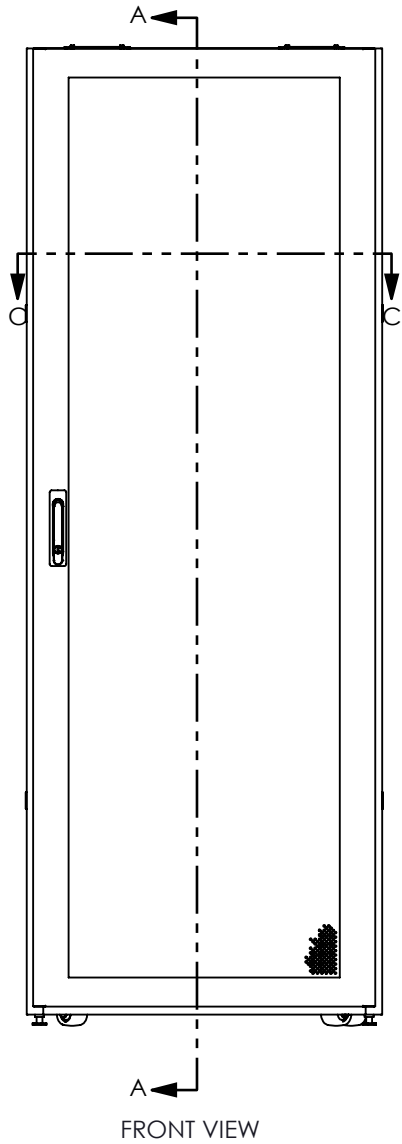
8

7

6

5

4



Electron PROUDLY MANUFACTURED IN CANADA.
METAL

PROPRIETARY AND CONFIDENTIAL
THE INFORMATION CONTAINED IN THIS DRAWING IS THE SOLE PROPERTY OF ELECTRON METAL A.I.G. INC. ANY REPRODUCTION IN PART OR AS A WHOLE WITHOUT THE WRITTEN PERMISSION OF A.I.G. ELECTRON METAL INC IS PROHIBITED.

APPROVED BY:
E.D.

DRAWN BY:
M.W

CHECKED BY:
NOT CHECKED

FILE:
A5000_27x77x42_3221-009

PART NO.:
CB5KNW-274442

Title:
A5000 44RU (27 x 77) x 42
OVERALL DIMS: 29.625 x 80.5 x 44.355

DRAWING NO.:
3221-009

REV.:
A

SCALE:
1:16

DATE:
2024/04/04

SHEET:
2 / 2