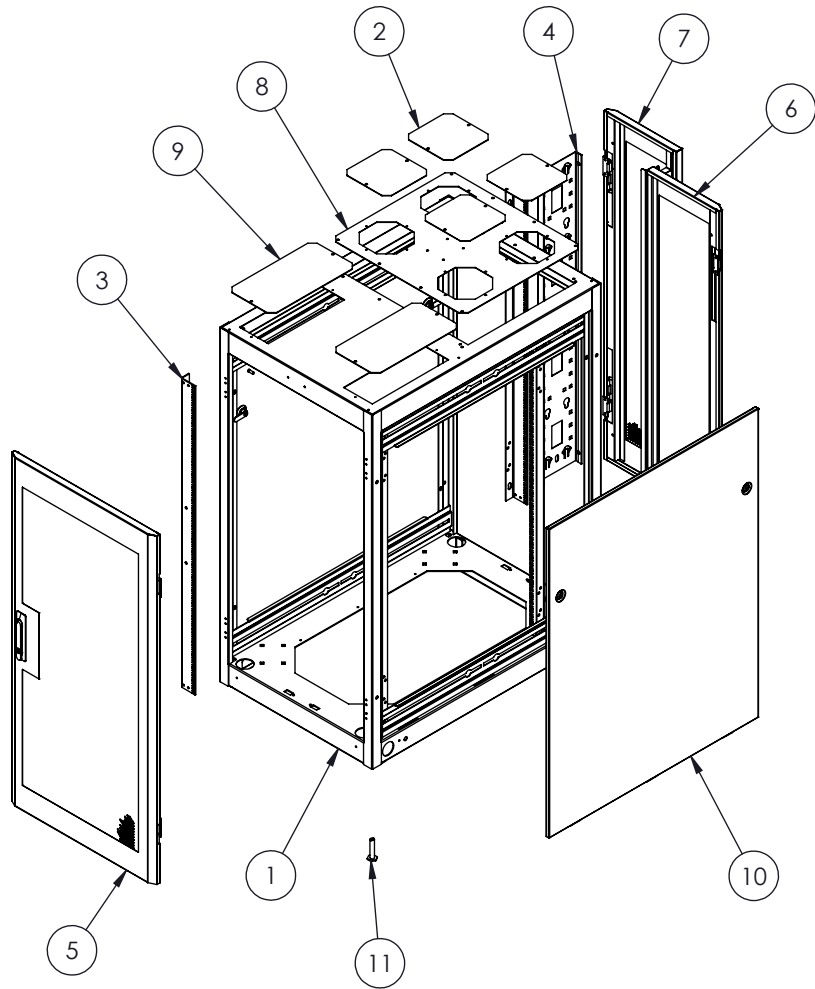


COLOUR	PT # SUFFIX
BLACK	-BK
WHITE	-WH
GREY	-GY



NO.	NOTE	DESCRIPTION	QTY
1	1305028636	FRAME 24RU 24 x 48 x 36 SERIES 4000	1
2	1305027783	6" FAN CUTOUT COVER PLATE	4
3	1305022418 - (42")	MOUNTING RAIL 2.25" CAGE-NUTS	4
4	2472-022	U.A.C. / V.C.M. 24RU 1 x (42) x 6	1
5	1305028638	PERFORATED DOOR (21 x 42)	1
6	1305027441	SPLIT DOOR PERFORATED LH (21 x 42)	1
7	1305028695	SPLIT DOOR PERFORATED RH (19 x 42)	1
8	1305039067 - (21)	TOP COVER 4 FAN CUT-OUTS 6"	1
9	1305038320	TOP FRONT COVER PLATE	2
10	1305028637	SIDE PANEL (42) x 36 WITH LOCKS	2
11	OHIO NUT & BOLT FH 4440	LEVELLER, STEEL BASE 1/2-13	4

NOTES:

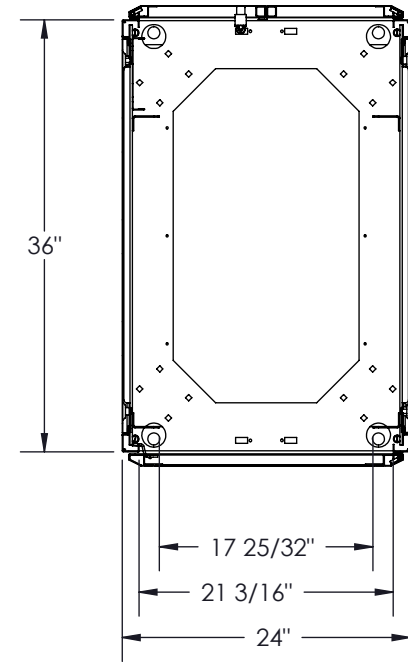
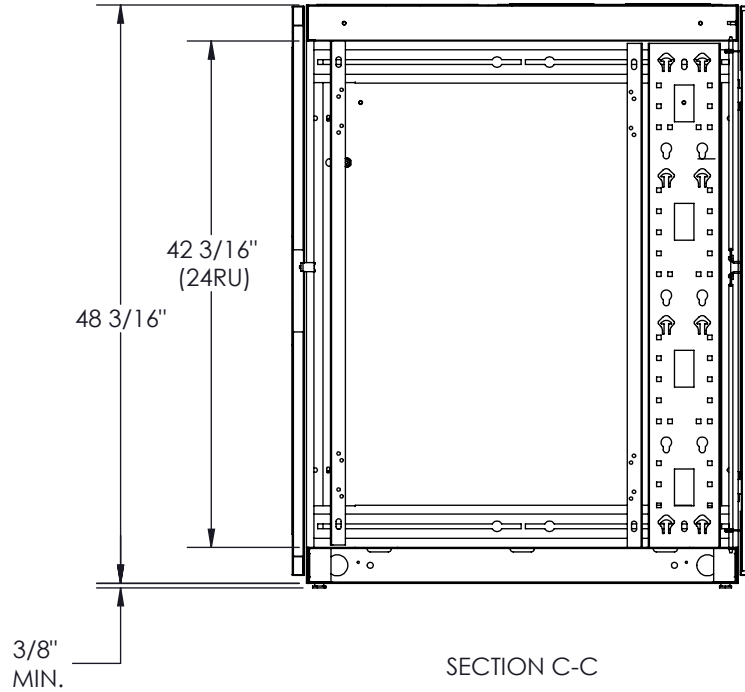
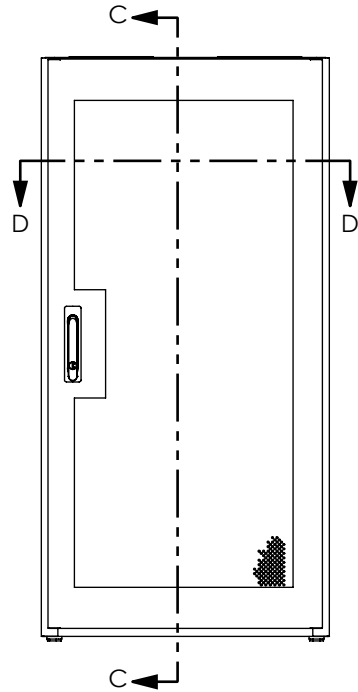
- 1 - MOUNTING RAIL TO HAVE RU MARKINGS.
- 2 - APPROXIMATE WEIGHT: 180 LB.
- 3 - CAPACITY: 3000 LB.
- 4 - 50 CAGE-NUTS 10-32 SHIPPED LOOSE.
- 5 - 50 TRUSS HEAD SCREW 10-32 x 1/2 SHIPPED LOOSE.
- 6 - FINISH: TEXTURED POWDER COAT.
- 7 - CERTIFIED TO CSA STANDARD C22.2 NO. 70950-1.

REV.	DESCRIPTION	DATE	APPR.	INV.
A	REPLACED COVER (TO ACCOMODATE BRUSHES). MOVED FAN HOLES, ADDED NOTES	1/24/2017	DR	N/A
RÉVISIONS				



PROPRIETARY AND CONFIDENTIAL
 THE INFORMATION CONTAINED IN THIS DRAWING IS THE SOLE PROPERTY OF ELECTRON METAL A.I.G. INC. ANY REPRODUCTION IN PART OR AS A WHOLE WITHOUT THE WRITTEN PERMISSION OF A.I.G. ELECTRON METAL INC IS PROHIBITED.

DRAWN BY: E.D.	Title: SERIES 4000 SERVER CFG (21 x 42) x 36 24 x 48 x 36			
CHECKED BY: E.D.	PROJECT: G:\SWDwgs\Cabinets\Ser4000\EnsemblesServeur\		FILE: Kit21x42x36_1305029189_Eng	
PART NO: CB4KSV-212436	DRAWING NO: 1305029189	REV.: A	SCALE: 3:64	DATE: 2011-03-09
				SHEET: 1 / 2



SECTION C-C

SECTION D-D

Electron METAL PROUDLY MANUFACTURED IN CANADA.

PROPRIETARY AND CONFIDENTIAL
 THE INFORMATION CONTAINED IN THIS DRAWING IS THE SOLE PROPERTY OF ELECTRON METAL A.I.G. INC. ANY REPRODUCTION IN PART OR AS A WHOLE WITHOUT THE WRITTEN PERMISSION OF A.I.G. ELECTRON METAL INC IS PROHIBITED.

DRAWN BY:
E.D.
CHECKED BY:
E.D.

Title:
SERIES 4000 SERVER CFG (21 x 42) x 36
24 x 48 x 36

PROJECT:
G:\SWDwgs\Cabinets\Ser4000\EnsemblesServeur\

FILE:
Kit21x42x36_1305029189_Eng

PART NO.:
CB4KSV-212436

DRAWING NO.:
1305029189

REV.:
A

SCALE:
1:16

DATE:
2011-03-09

SHEET:
2 / 2