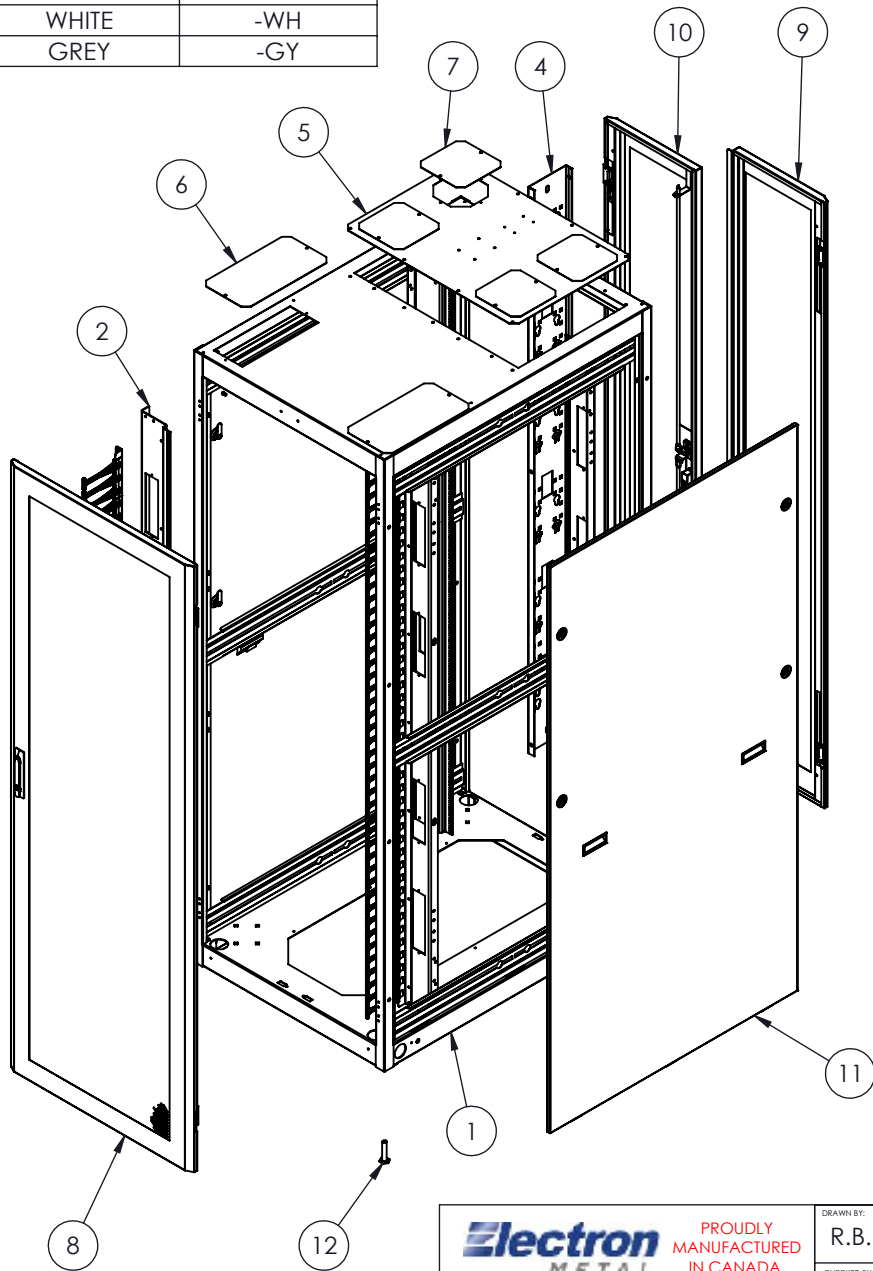


COLOUR	PT# SUFFIX
BLACK	-BK
WHITE	-WH
GREY	-GY



NO.	DWG/SUPPLIER	CFG/ SUPPLIER NO.	DESCRIPTION	QTY
1	1305029055	Default	FRAME 44RU 30 x 83 x 42 SERIES 4000	1
2	2284-001	(77")	REINFORCED MTG RAIL CAGE-NUT 5.25" FOR BRUSH	4
3	2151-001	Default	HIGH DENSITY RAIL CABLE MGT 44RU (77)	2
4	1725-001	Default	VERTICAL CABLE MGT / U.A.C. 44RU (77) x 6	1
5	1305039067	(27)	TOP COVER 4 FAN CUT-OUTS 6"	1
6	1305038320	default	TOP FRONT COVER PLATE	2
7	1305027783	Default	6" FAN CUTOUT COVER PLATE	4
8	1305026153	Default	PERFORATED DOOR 44RU (27 x 77)	1
9	1305026522	Default	SPLIT DOOR PERFORATED LH (27 x 77)	1
10	1305026521	Default	SPLIT DOOR PERFORATED RH (27 x 77)	1
11	1305026167	Default	SIDE PANEL (77) x 42 WITH LOCKS	2
12	OHIO NUT & BOLT	FH 4440	LEVELLER, STEEL BASE 1/2-13	4

NOTES:

- 1 - MOUNTING RAIL TO HAVE RU MARKINGS.
- 2 - APPROXIMATE WEIGHT: 354 LBS.
- 3 - CAPACITY: 3000 LBS
- 4 - 100 CAGE-NUTS 10-32 SHIPPED LOOSE.
- 5 - 100 TRUSS HEAD SCREW 10-32 x 5/8 SHIPPED LOOSE.
- 6 - CERTIFIED TO CSA STANDARD C22.2 NO. 70950-1
- 7 - FINISH : TEXTURED POWDER COAT

**Electron METAL** PROUDLY MANUFACTURED IN CANADA.

**PROPRIETARY AND CONFIDENTIAL**  
THE INFORMATION CONTAINED IN THIS DRAWING IS THE SOLE PROPERTY OF ELECTRON METAL A.I.G. INC. ANY REPRODUCTION IN PART OR AS A WHOLE WITHOUT THE WRITTEN PERMISSION OF A.I.G. ELECTRON METAL INC IS PROHIBITED.

APPROVED BY:  
E.D.

DRAWN BY:  
R.B.

CHECKED BY:  
R.B.

FILE:  
KitHD27x77x42\_2988-004\_Eng

PART NO.:  
CB4KNH-274442

Title:  
SERIES 4000 44RU (27 x 77) x 42 HD CFG  
30 x 83 x 42

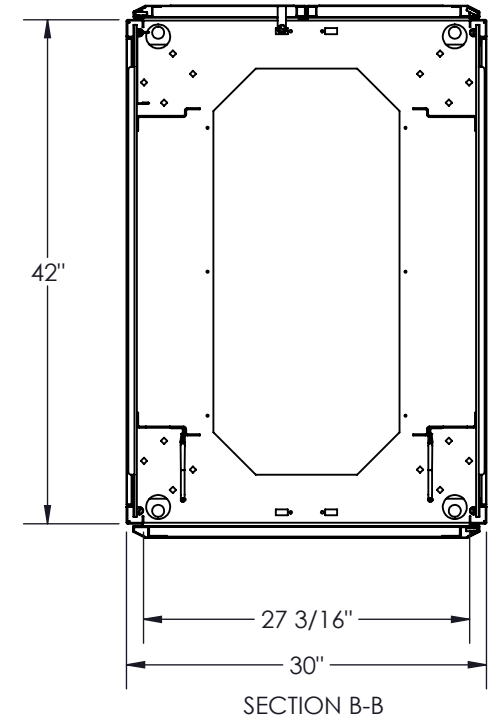
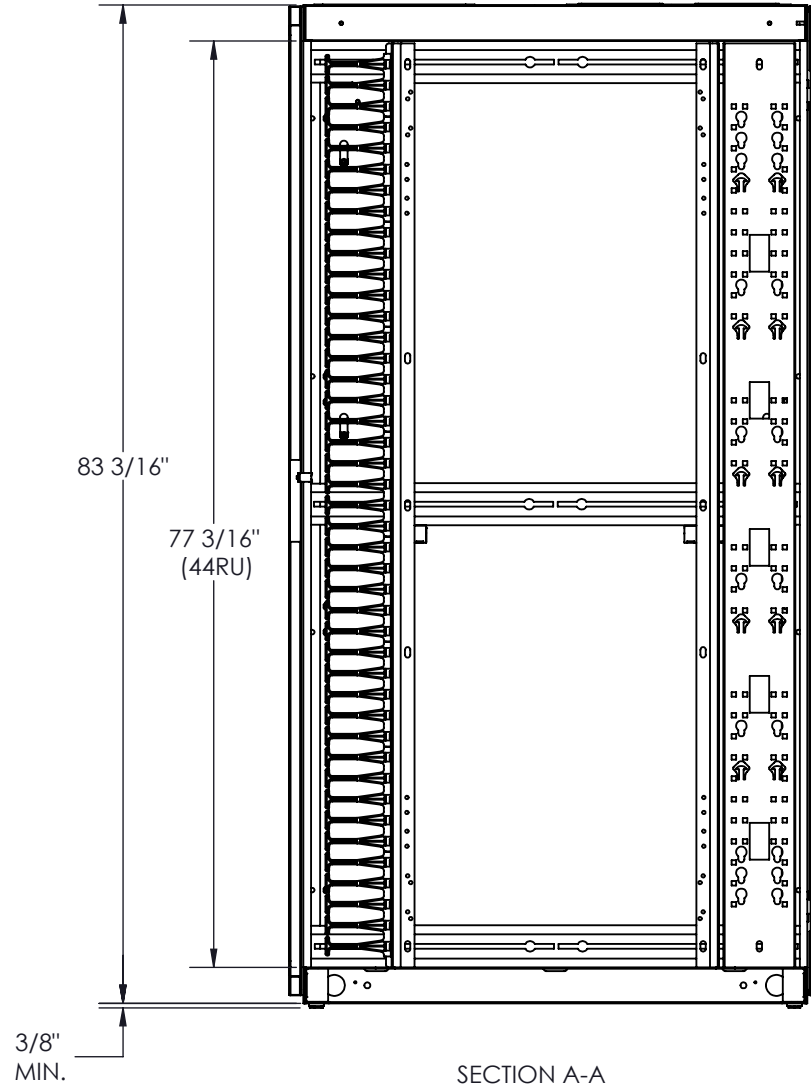
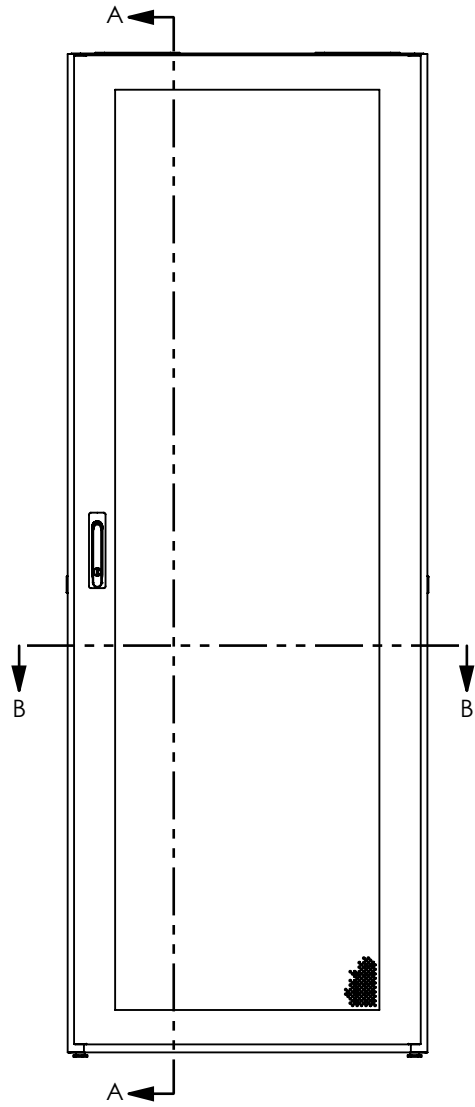
DRAWING NO.:  
2988-004

REV.:  
B

SCALE:  
3:64

DATE:  
2021-05-13

SHEET:  
1 / 2



**Electron** PROUDLY MANUFACTURED IN CANADA.  
**METAL**

**PROPRIETARY AND CONFIDENTIAL**  
 THE INFORMATION CONTAINED IN THIS DRAWING IS THE SOLE PROPERTY OF ELECTRON METAL A.I.G. INC. ANY REPRODUCTION IN PART OR AS A WHOLE WITHOUT THE WRITTEN PERMISSION OF A.I.G. ELECTRON METAL INC IS PROHIBITED.

APPROVED BY:  
 E.D.

DRAWN BY:  
 R.B.  
 CHECKED BY:  
 R.B.

Title:

SERIES 4000 44RU (27 x 77) x 42 HD CFG  
 30 x 83 x 42

PROJECT:  
 G:\SWDwgs\Cabinets\Ser4000\EnsemblesReseauHD\

FILE:  
 KitHD27x77x42\_2988-004\_Eng

PART NO.:  
 CB4KNH-274442

DRAWING NO.:  
 2988-004

REV.:  
 B

SCALE:  
 1:16

DATE:  
 2021-05-13

SHEET:  
 2 / 2