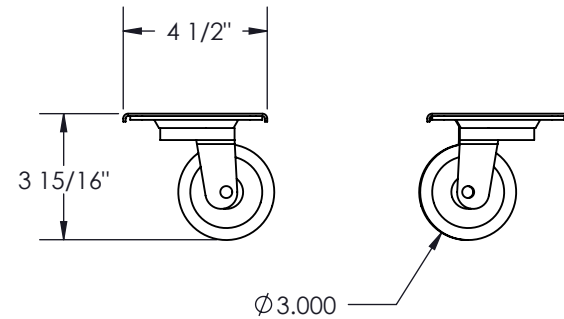
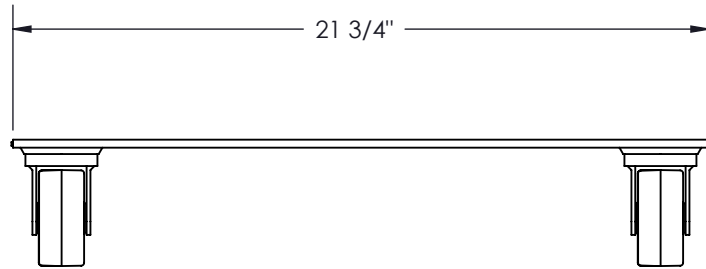


NO.	NOTE	DESCRIPTION	QTE
1	100716 - (19)	CASTER SUPPORT CHANNEL	2
2	CAN-AM 361NY	3" PIVOTING CASTER	2
3	CAN-AM 361NY	3" PIVOTING CASTER	2

NOTE:
CAPACITY = 1000LBS



PROPRIETARY AND CONFIDENTIAL
THE INFORMATION CONTAINED IN THIS DRAWING IS THE SOLE PROPERTY OF ELECTRON METAL INC. ANY REPRODUCTION IN PART OR AS A WHOLE WITHOUT THE WRITTEN PERMISSION OF ELECTRON METAL INC. IS PROHIBITED.

CONFIDENTIEL
L'INFORMATION CONTENUE DANS CE DESSIN EST L'ENTIERE PROPRIÉTÉ D'ELECTRON METAL INC. TOUTE REPRODUCTION PARTIELLE OU EXHAUSTIVE SANS PERMISSION ÉCRITE D'ELECTRON METAL INC. EST INTERDITE.

DRAWN BY/DESSINÉ PAR:

CHECKED BY/VÉRIFIÉ PAR:

Title/Titre:

SET OF 3" CASTER WITH (19") CHANNEL

PROJECT/PROJET:

Accessories\FeeCastersAnchors

FILE/FICHER:

CasterChannel19_1305025009_ENG

REV./REV.:

PART NO./NO. DE PIÉCE:

CASSTC_190300

DRAWING NO./NO. DE DESSIN:

1305025009

SCALE/ÉCHELLE:

1:6

DATE:

2008-03-19

SHEET/PAGE:

1 / 1