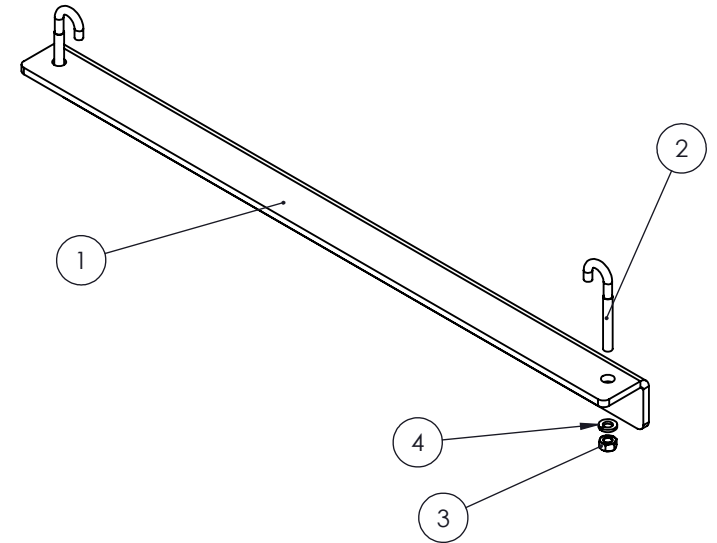
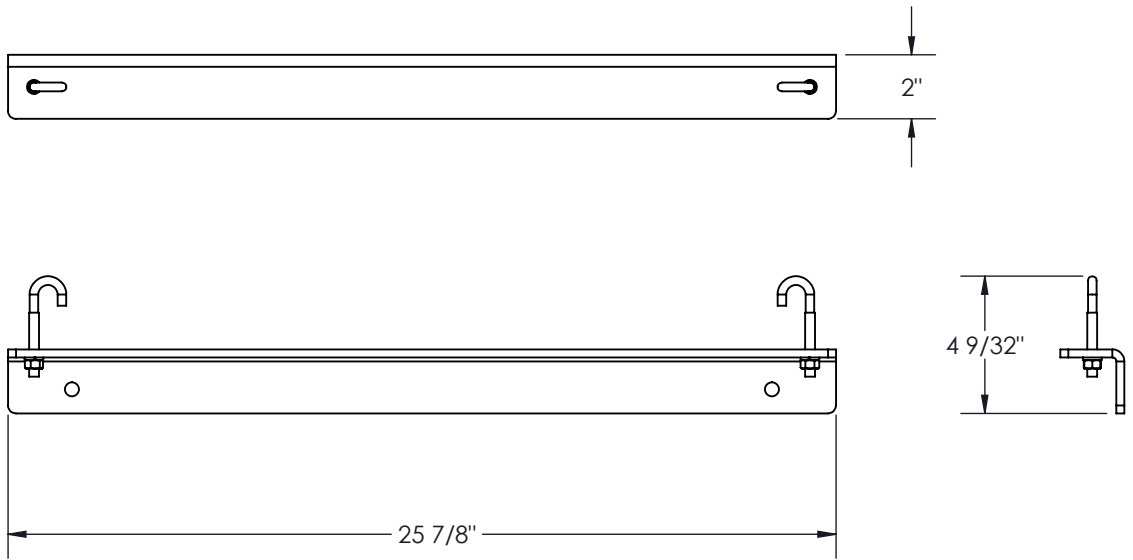


COLOR	PT# SUFFIX
BLACK	-BK
WHITE	-WH
GREY	-GY

NO.	NOTE	DESCRIPTION	QTY
1	1844-007 - 24"	WALL ANGLE SUPPORT	1
2	1305031033	J-BOLT - 5/16-18 x 2" (3" O.A.)	2
3	5/16-18	HEX. NUT 5/16-18	2
4	5/16	LOCK WASHER	2



NOTE:

- 1 - APPROX. WEIGHT: 6.80 LBS
- 2 - FINISH: TEXTURED POWDER COATING
- 3 - MATERIAL: STEEL CRS 0.25" BAR
- 4 - INCLUDES: ASSEMBLY HARDWARE
- 5 - BAG AND SHIP HARDWARE LOOSE.



**PROPRIETARY AND CONFIDENTIAL**  
 THE INFORMATION CONTAINED IN THIS DRAWING IS THE SOLE PROPERTY OF ELECTRON METAL A.I.G. INC. ANY REPRODUCTION IN PART OR AS A WHOLE WITHOUT THE WRITTEN PERMISSION OF A.I.G. ELECTRON METAL INC IS PROHIBITED.

DRAWN BY:  
R.B  
 CHECKED BY:  
R.B

Title:  
WALL ANGLE SUPPORT 24"

FILE:  
WallAngleSupport24\_1844-011\_Eng

PART NO.:  
CABLRU- 2400

DRAWING NO.:  
1844-011

REV.:  
-

SCALE:  
1:4

DATE:  
2017-04-19

SHEET:  
1 / 1

APPROVED BY: