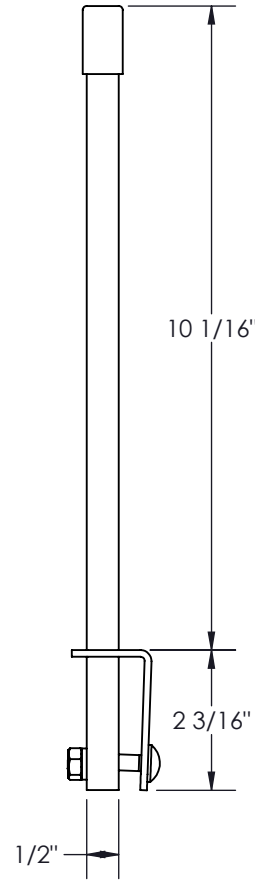
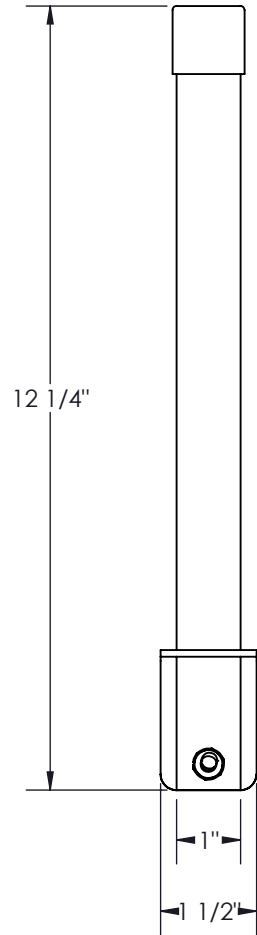


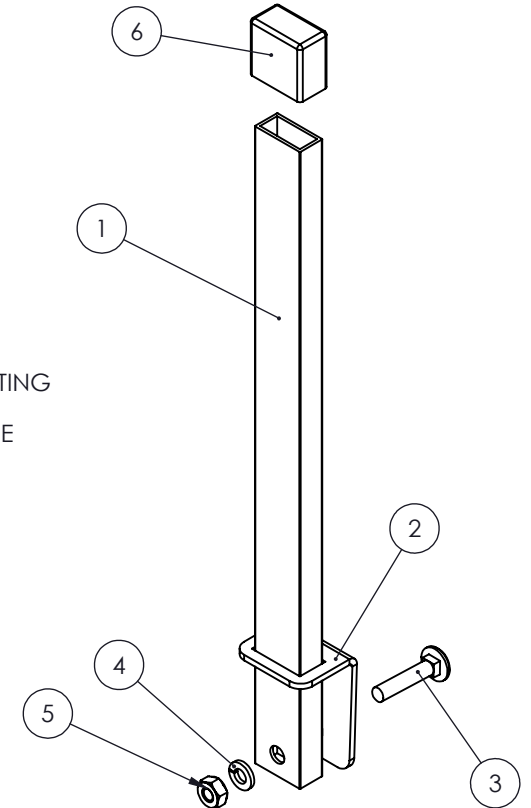
COLOR	PT# SUFFIX
BLACK	-BK
WHITE	-WH
GREY	-GY

NO.	NOTE	DESCRIPTION	QTY
1	1847-004 - 10"	POST	1
2	1847-005	"L" BRACKET	1
3	1/4 - 20 x 1 1/4	CARRIAGE BOLT	1
4	1/4"	LOCK WASHER	1
5	1/4-20	HEX NUT 1/4-20	1
6	1 x 1/2 x 1	VINYL RECTANGULAR CAP 1 x 1/2 x 1	1



NOTES:

- 1 - APPROX. WEIGHT: 0.95 LBS
- 2 - FINISH: TEXTURED POWDER COATING
- 3 - INCLUDES: ASSEMBLY HARDWARE



Electron METAL PROUDLY MANUFACTURED IN CANADA.

PROPRIETARY AND CONFIDENTIAL
 THE INFORMATION CONTAINED IN THIS DRAWING IS THE SOLE PROPERTY OF ELECTRON METAL A.I.G. INC. ANY REPRODUCTION IN PART OR AS A WHOLE WITHOUT THE WRITTEN PERMISSION OF A.I.G. ELECTRON METAL INC IS PROHIBITED.

DRAWN BY:
R.B.
CHECKED BY:
R.B.

Title:
CABLE RETAINING POST 10"

FILE:
CableRetainingPost10_1847-003_Eng

PART NO.:
CABLRP-1000

DRAWING NO.:
1847-003

REV.:
-

SCALE:
1:4

DATE:
2017-04-20

SHEET:
1 / 1

APPROVED BY: