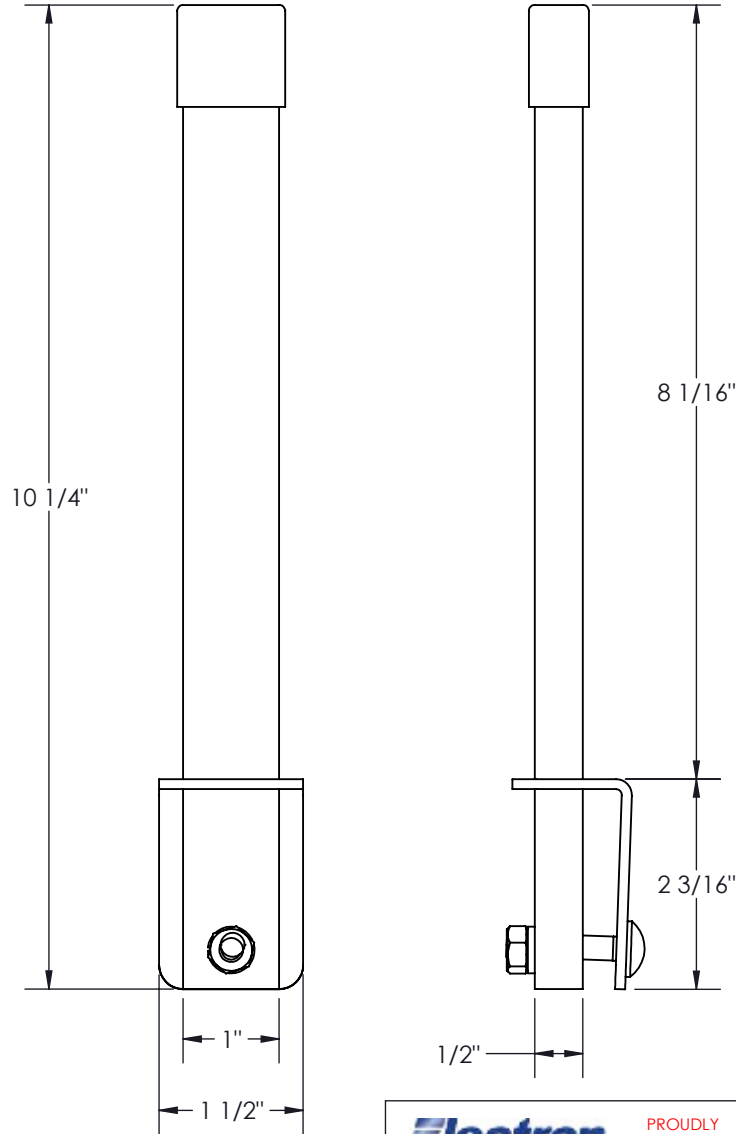


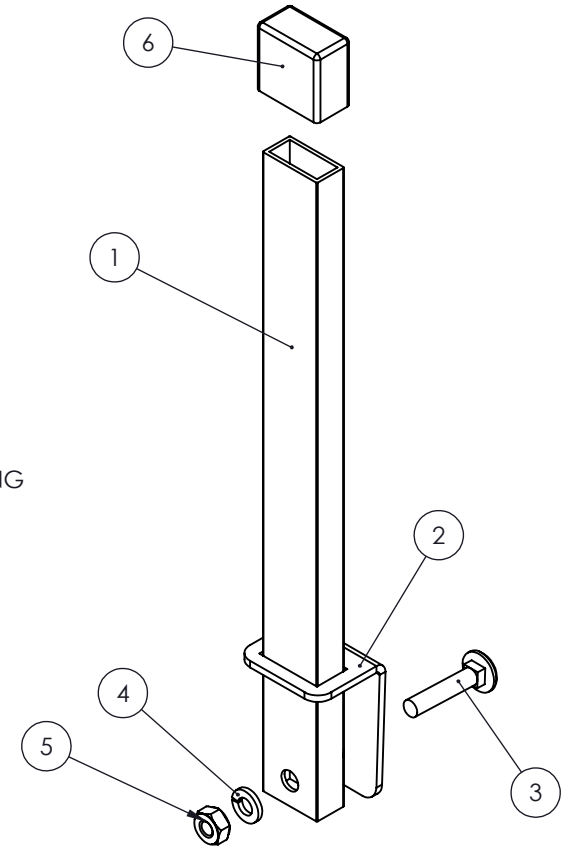
COLOR	PT# SUFFIX
BLACK	-BK
WHITE	-WH
GREY	-GY

NO.	NOTE	DESCRIPTION	QTY
1	1847-004 - 8"	POST	1
2	1847-005	"L" BRACKET	1
3	1/4 - 20 x 1 1/4	CARRIAGE BOLT	1
4	1/4"	LOCK WASHER	1
5	1/4-20	HEX NUT 1/4-20	1
6	1 x 1/2 x 1	VINYL RECTANGULAR CAP 1 x 1/2 x 1	1



NOTES:

- 1 - APPROX. WEIGHT: 0.82 LBS
- 2 - FINISH: TEXTURED POWDER COATING
- 3 - INCLUDES: ASSEMBLY HARDWARE



**Electron METAL** PROUDLY MANUFACTURED IN CANADA.

**PROPRIETARY AND CONFIDENTIAL**  
 THE INFORMATION CONTAINED IN THIS DRAWING IS THE SOLE PROPERTY OF ELECTRON METAL A.I.G. INC. ANY REPRODUCTION IN PART OR AS A WHOLE WITHOUT THE WRITTEN PERMISSION OF A.I.G. ELECTRON METAL INC IS PROHIBITED.

APPROVED BY:

5

DRAWN BY:  
R.B  
CHECKED BY:  
R.B

Title:  
CABLE RETAINING POST 8"

FILE:  
CableRetainingPost8\_1847-002\_Eng

PART NO.:  
CABLRP-0800

DRAWING NO.:  
1847-002

REV.:  
-

SCALE:  
1:4

DATE:  
2017-04-20

SHEET:  
1 / 1

4