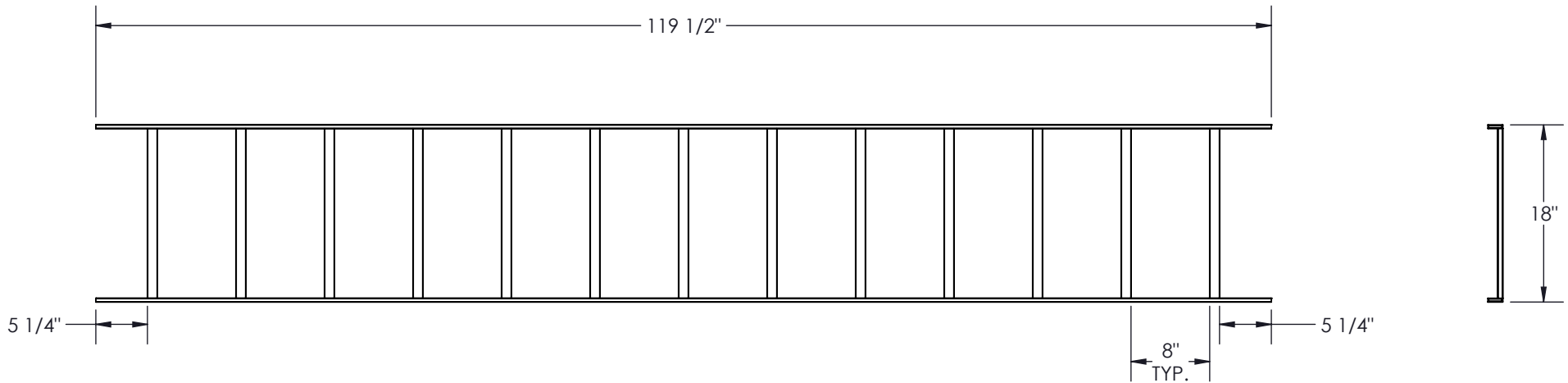
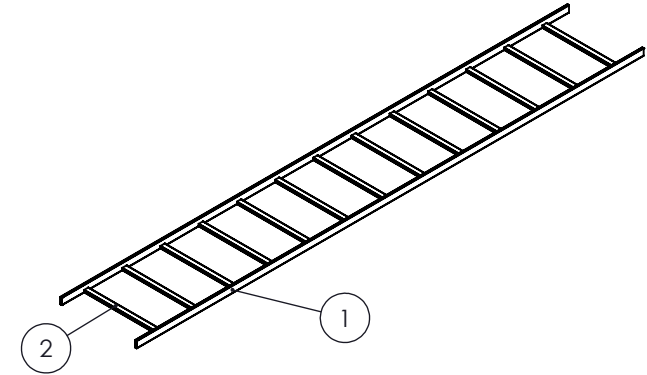


COLOR	PT# SUFFIX
BLACK	-BK
WHITE	-WH
GREY	-GY


NO.	DWG/SUPPLIER	CFG/SUPPLIER NO.	DESCRIPTION	QTY
1	1841-002	119.5'<Brut d'usage>	SIDE	2
2	1841-003	Tranversal 18"	TRANVERSAL	13

NOTES:

- 1 - APPROX. WEIGHT: 27.80 LBS
- 2 - FINISH: TEXTURED POWDER COATING
- 3 - MATERIAL:  
CROSS BAR: STEEL BAR (0.060")  
SIDE BAR: STEEL BAR (0.75")
- 4 - CONSTRUCT: FULLY WELDED



RÉV.	DESCRIPTION	DATE	APPR.	INV.
RÉVISIONS				

 <p><b>PROUDLY MANUFACTURED IN CANADA.</b></p> <p><b>PROPRIETARY AND CONFIDENTIAL</b> THE INFORMATION CONTAINED IN THIS DRAWING IS THE SOLE PROPERTY OF ELECTRON METAL A.I.G. INC. ANY REPRODUCTION IN PART OR AS A WHOLE WITHOUT THE WRITTEN PERMISSION OF A.I.G. ELECTRON METAL INC IS PROHIBITED.</p>	DRAWN BY: R.B	Title: <b>LADDER RACK STRAIGHT 18" x 1.5" x 10'</b>			CHECKED BY: R.B	
	FILE: LadderTrayStraight18x1.5x119.5_1841-004_Eng				PART NO.: CABLLR-182410	DRAWING NO.: 1841-004

APPROVED BY: