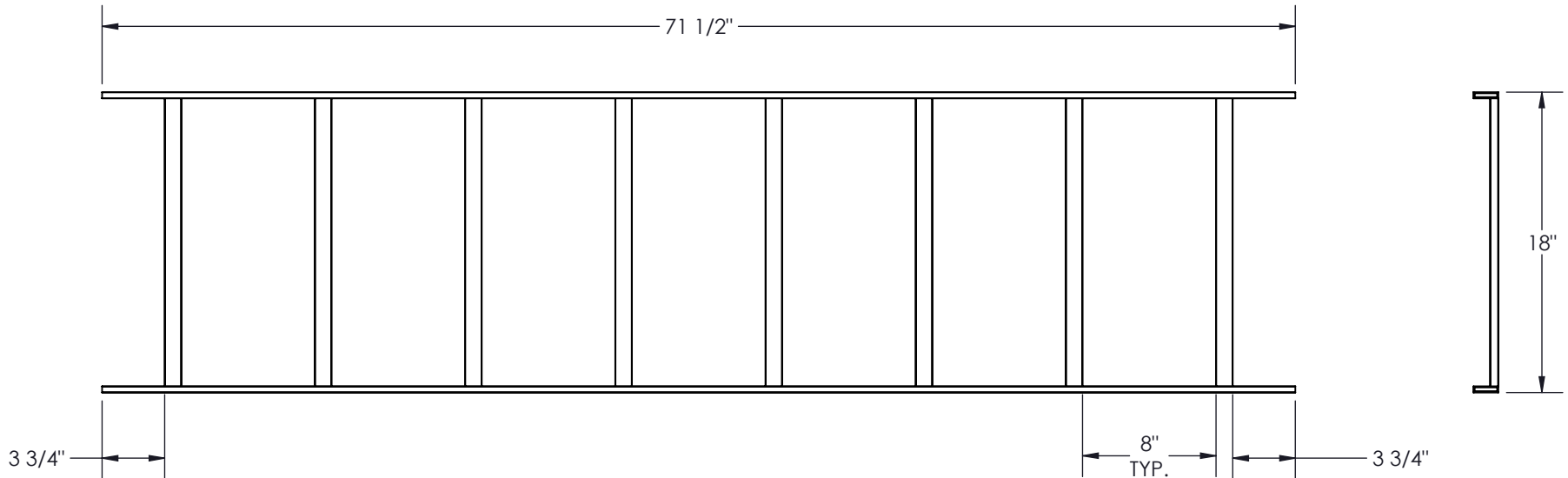
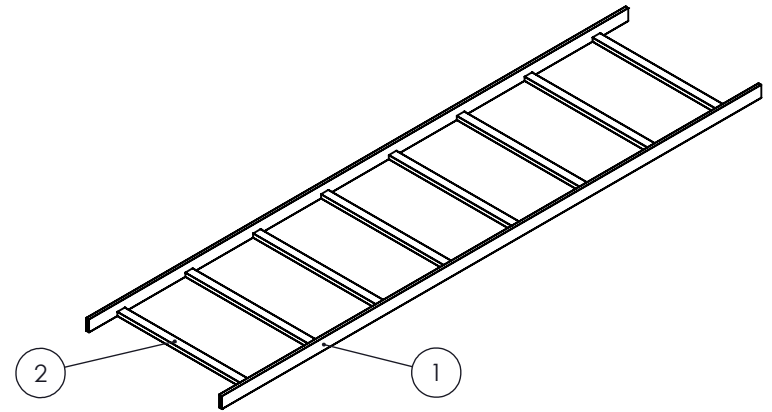


COLOR	PT# SUFFIX
BLACK	-BK
WHITE	-WH
GREY	-GY

NO.	DWG/SUPPLIER	CFG/SUPPLIER NO.	DESCRIPTION	QTY
1	1841-002	71.5"	SIDE	2
2	1841-003	Tranversal 18"	TRANVERSAL	8

NOTES:

- 1 - APPROX. WEIGHT: 16.81 LBS
- 2 - FINISH: TEXTURED POWDER COATING
- 3 - MATERIAL:
CROSS BAR: STEEL BAR (0.060")
SIDE BAR: STEEL BAR (0.75")
- 4 - CONSTRUCT: FULLY WELDED



RÉV.	DESCRIPTION	DATE	APPR.	INV.
RÉVISIONS				



PROPRIETARY AND CONFIDENTIAL
THE INFORMATION CONTAINED IN THIS DRAWING IS THE SOLE PROPERTY OF ELECTRON METAL A.I.G. INC. ANY REPRODUCTION IN PART OR AS A WHOLE WITHOUT THE WRITTEN PERMISSION OF A.I.G. ELECTRON METAL INC IS PROHIBITED.

DRAWN BY:
R.B
CHECKED BY:
R.B

Title:
LADDER RACK STRAIGHT 18" x 1.5" x 6'

FILE:
LadderTrayStraight18x1.5x71.5_1841-009_Eng

PART NO.:
CABLLR-182406

DRAWING NO.:
1841-009

REV.:
-

SCALE:
1:32

DATE:
2017-04-18

SHEET:
1 / 1

APPROVED BY: