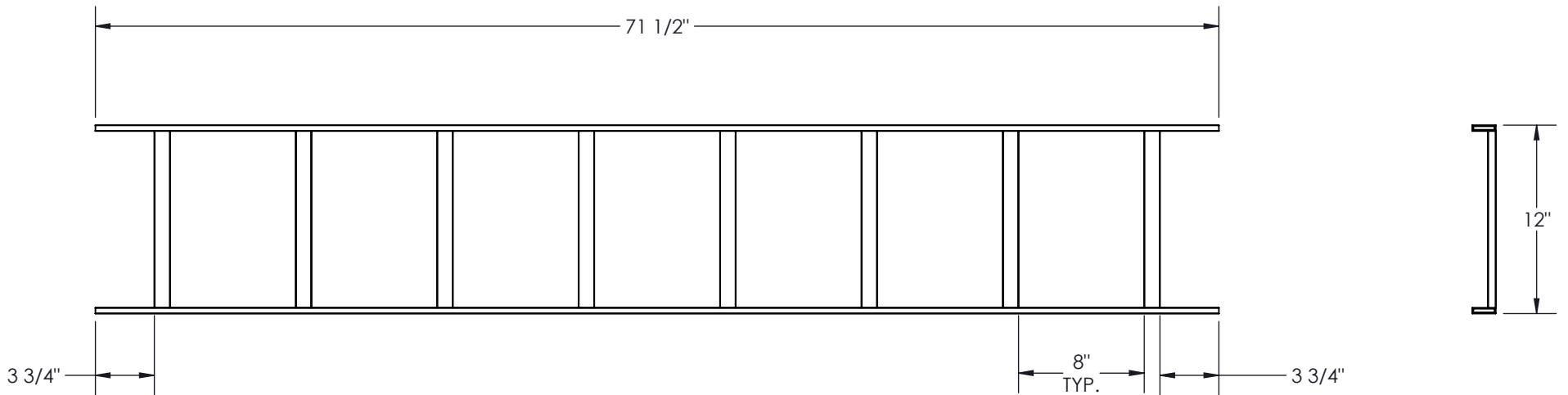
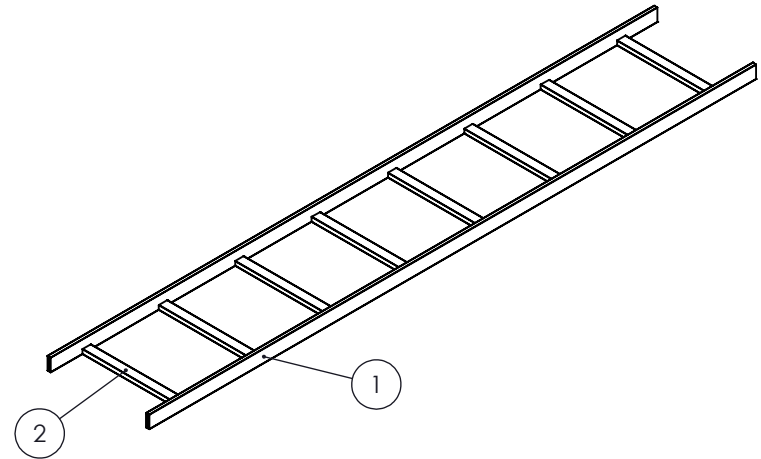


COLOR	PT# SUFFIX
BLACK	-BK
WHITE	-WH
GREY	-GY

NO.	S	NOTE	DESCRIPTION	QTÉ
1	S	1841-002 - 71.5"	CÔTÉ	2
2	S	1841-003 - 12"	CROSS BAR	8

NOTES:

- 1 - APPROX. WEIGHT: 14.60 LBS
- 2 - FINISH: TEXTURED POWDER COATING
- 3 - MATERIAL:
 CROSS BAR: STEEL BAR (0.060")
 SIDE BAR: STEEL BAR (0.75")
- 4 - CONSTRUCT: FULLY WELDED



RÉV.	DESCRIPTION	DATE	APPR.	INV.
RÉVISIONS				



PROPRIETARY AND CONFIDENTIAL
 THE INFORMATION CONTAINED IN THIS DRAWING IS THE SOLE PROPERTY OF ELECTRON METAL A.I.G. INC. ANY REPRODUCTION IN PART OR AS A WHOLE WITHOUT THE WRITTEN PERMISSION OF A.I.G. ELECTRON METAL INC IS PROHIBITED.

DRAWN BY: R.B	Title: LADDER RACK STRAIGHT 12" x 1.5" x 6'			
CHECKED BY: R.B				
FILE: LadderTrayStraight12x1.5x71.5_1841-008_Eng				
PART NO: CABLLR-122406	DRAWING NO: 1841-008	REV.: -	SCALE: 1:32	DATE: 2017-04-18
				SHEET: 1 / 1

APPROVED BY: