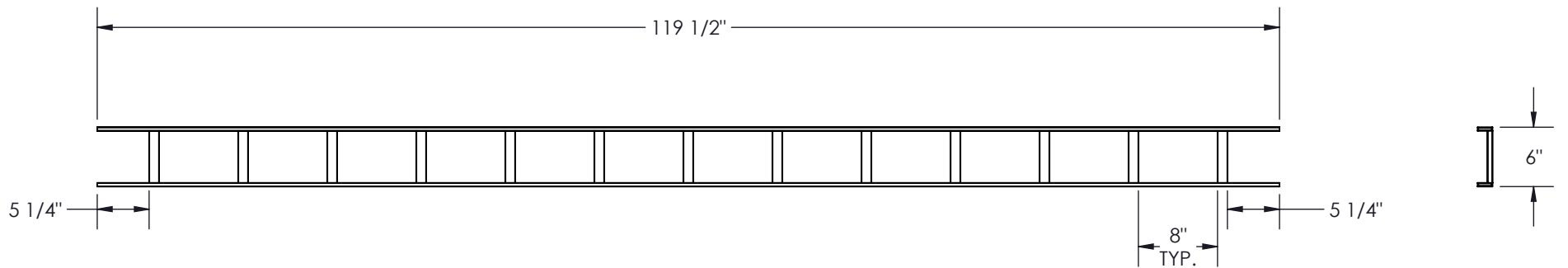
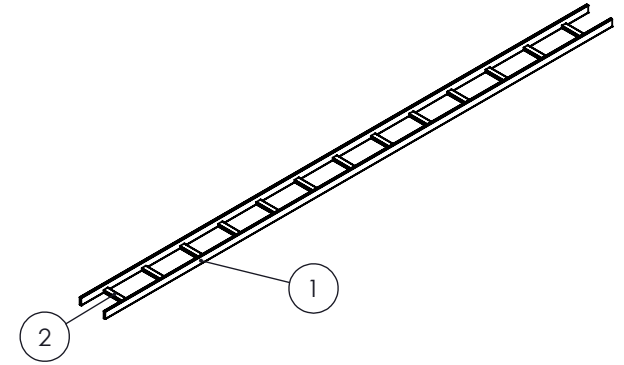


COLOR	PT# SUFFIX
BLACK	-BK
WHITE	-WH
GREY	-GY

NO.	DWG/SUPPLIER	CFG/SUPPLIER NO.	DESCRIPTION	QTY
1	1841-002	119.5"<Brut d'usage>	SIDE	2
2	1841-003	Tranversal 6"	TRANVERSAL	13

NOTES:

- 1 - APPROX. WEIGHT: 20.55 LBS
- 2 - FINISH: TEXTURED POWDER COATING
- 3 - MATERIAL:
CROSS BAR: STEEL BAR (0.060")
SIDE BAR: STEEL BAR (0.75")
- 4 - CONSTRUCT: FULLY WELDED



RÉV.	DESCRIPTION	DATE	APPR.	INV.
RÉVISIONS				

<p>PROUDLY MANUFACTURED IN CANADA.</p> <p>PROPRIETARY AND CONFIDENTIAL THE INFORMATION CONTAINED IN THIS DRAWING IS THE SOLE PROPERTY OF ELECTRON METAL A.I.G. INC. ANY REPRODUCTION IN PART OR AS A WHOLE WITHOUT THE WRITTEN PERMISSION OF A.I.G. ELECTRON METAL INC IS PROHIBITED.</p>	DRAWN BY: R.B	Title: LADDER RACK STRAIGHT 6" x 1.5" x 10'			CHECKED BY: R.B	
	FILE: LadderTrayStraight6x1.5x119.5_1841-006_Eng					
APPROVED BY:	PART NO.: CABLLR-062410	DRAWING NO.: 1841-006	REV.: -	SCALE: 1:32	DATE: 2017-04-18	SHEET: 1 / 1