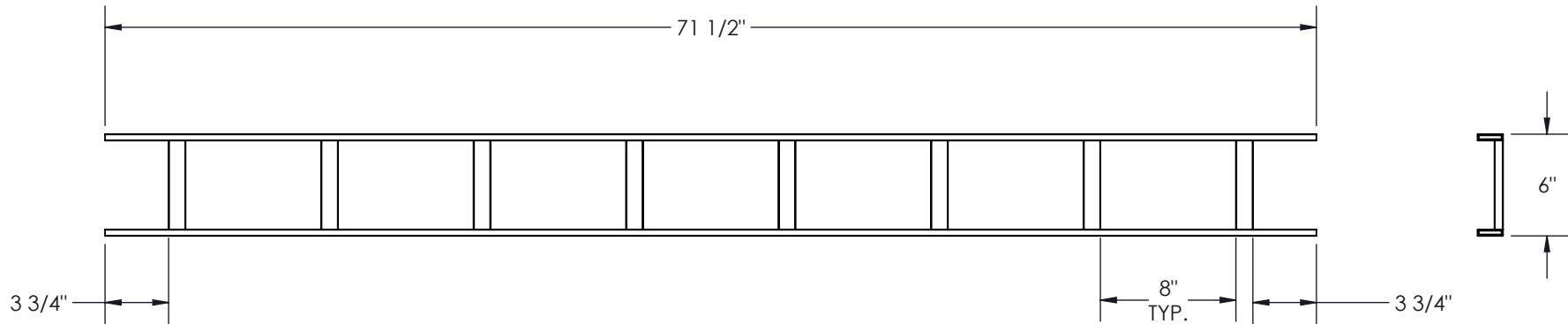
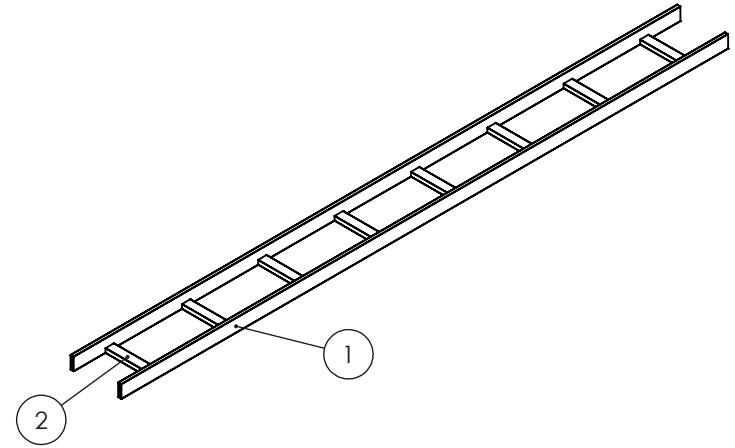


COLOR	PT# SUFFIX
BLACK	-BK
WHITE	-WH
GREY	-GY

NO.	DWG/SUPPLIER	CFG/SUPPLIER NO.	DESCRIPTION	QTY
1	1841-002	71.5"	SIDE	2
2	1841-003	Tranversal 6"	TRANVERSAL	8

NOTES:

- 1 - APPROX. WEIGHT: 12.33 LBS
- 2 - FINISH: TEXTURED POWDER COATING
- 3 - MATERIAL:
 CROSS BAR: STEEL BAR (0.060")
 SIDE BAR: STEEL BAR (0.75")
- 4 - CONSTRUCT: FULLY WELDED



PROPRIETARY AND CONFIDENTIAL
 THE INFORMATION CONTAINED IN THIS DRAWING IS THE SOLE PROPERTY OF ELECTRON METAL A.I.G. INC. ANY REPRODUCTION IN PART OR AS A WHOLE WITHOUT THE WRITTEN PERMISSION OF A.I.G. ELECTRON METAL INC IS PROHIBITED.

DRAWN BY:
R.B
 CHECKED BY:
R.B

Title:
LADDER RACK STRAIGHT 6" x 1.5" x 6'

FILE:
LadderTrayStraight6x1.5x71.5_1841-007_Eng

APPROVED BY:

PART NO.:
CABLLR-062406

DRAWING NO.:
1841-007

REV.:
-

SCALE:
1:32

DATE:
2017-04-18

SHEET:
1 / 1