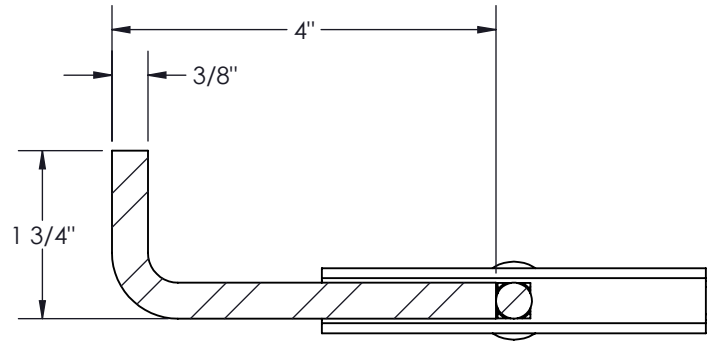
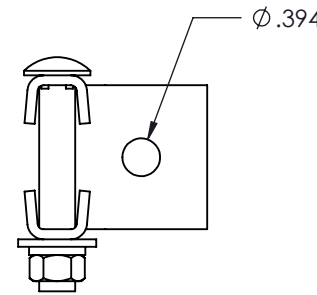
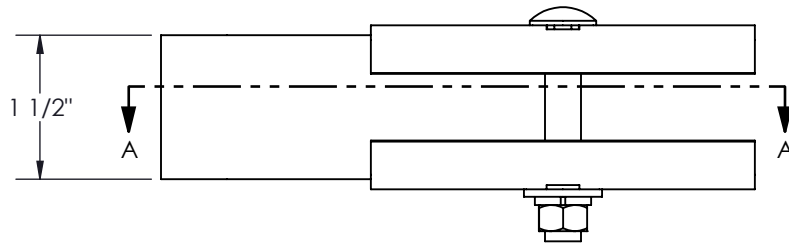
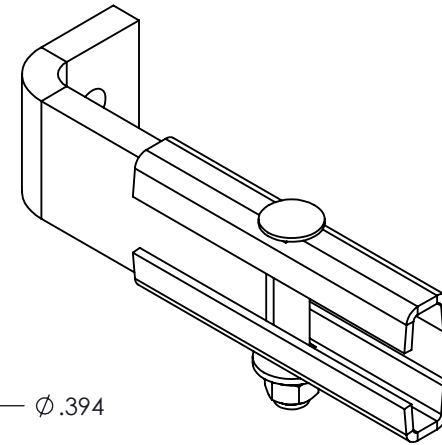


NO.	DWG/SUPPLIER	CFG/SUPPLIER NO.	DESCRIPTION	QTY
1	2836-001	Default	SPLICE EXTENSION KIT	1
2	2948-002	4"	WALL BRACKET	1



SECTION A-A



NOTE:

- 1 - APPROX. WEIGHT: 1.20 LBS
- 2 - FINISH: YELLOW ZINC PLATED
- 3 - MATERIAL: STEEL HRS 3/8" BAR
- 4 - INCLUDES: X (2) FASTENING SET
- 5 - BAG AND SHIP HARDWARE LOOSE.



PROPRIETARY AND CONFIDENTIAL
 THE INFORMATION CONTAINED IN THIS DRAWING IS THE SOLE PROPERTY OF ELECTRON METAL A.I.G. INC. ANY REPRODUCTION IN PART OR AS A WHOLE WITHOUT THE WRITTEN PERMISSION OF A.I.G. ELECTRON METAL INC IS PROHIBITED.

APPROVED BY:
 T.M.

DRAWN BY: E.D.	Title: END SUPPORT KIT				
CHECKED BY: E.D.					
FILE: EndSupportKit_2948-001_Eng					
PART NO: CABLES-2407-YZ_	DRAWING NO: 2948-001	REV.:	SCALE: 1:2	DATE: 2020-05-05	SHEET: 1 / 1